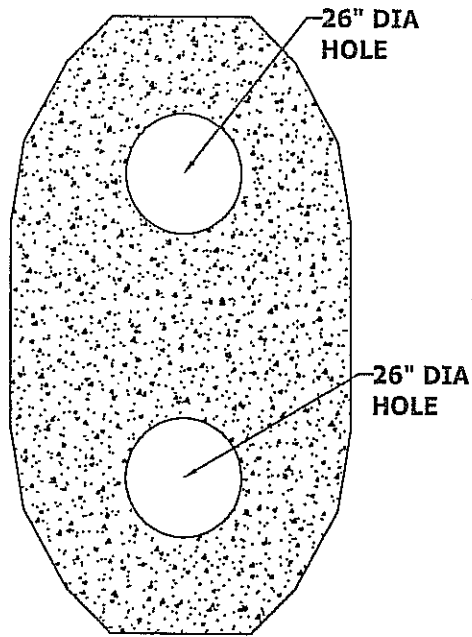
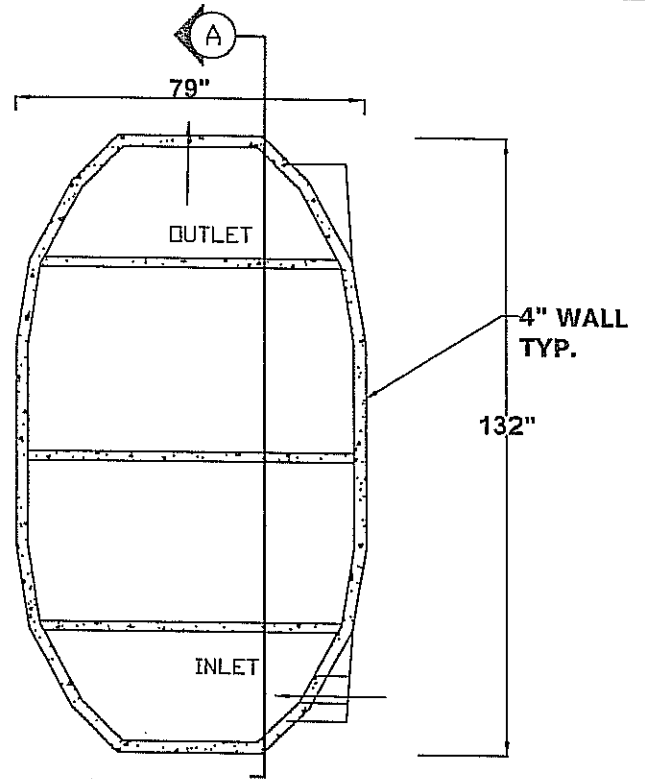


IN-LS/OUT-RE

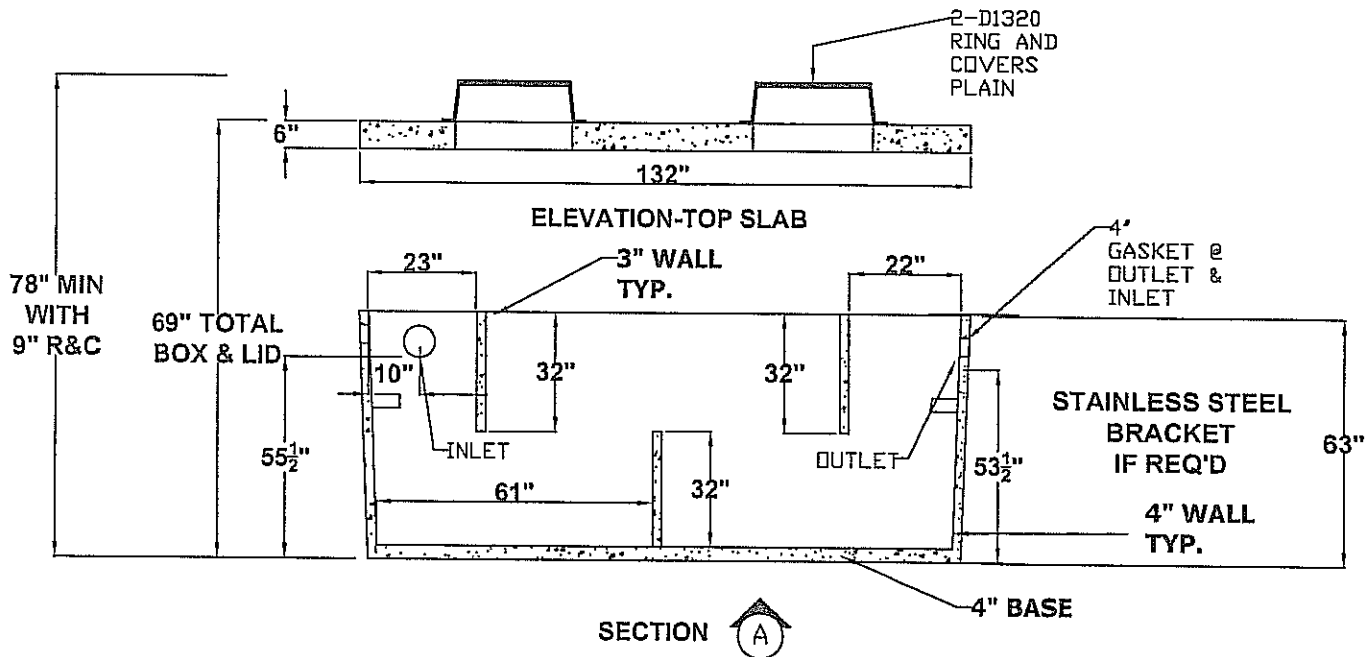
# 1500 GAL INTERCEPTOR



PLAN-TOP SLAB



PLAN-STRUCTURE



SECTION A

DIG HOLE SIZE= 12' X 7'

REBAR PLACEMENT  
 #5 @ 12" C/C EA. WAY TOP SLAB  
 #3 BAR AROUND TOP  
 6X6X10X10 WIRE, BOTTOM AND SIDES

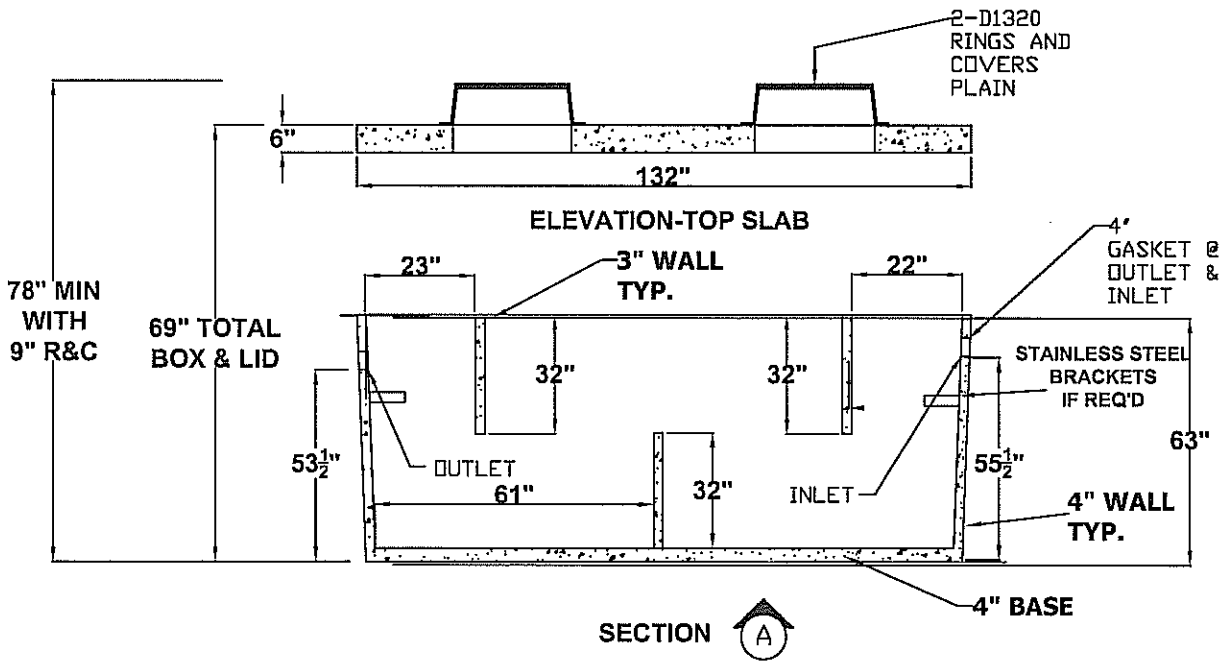
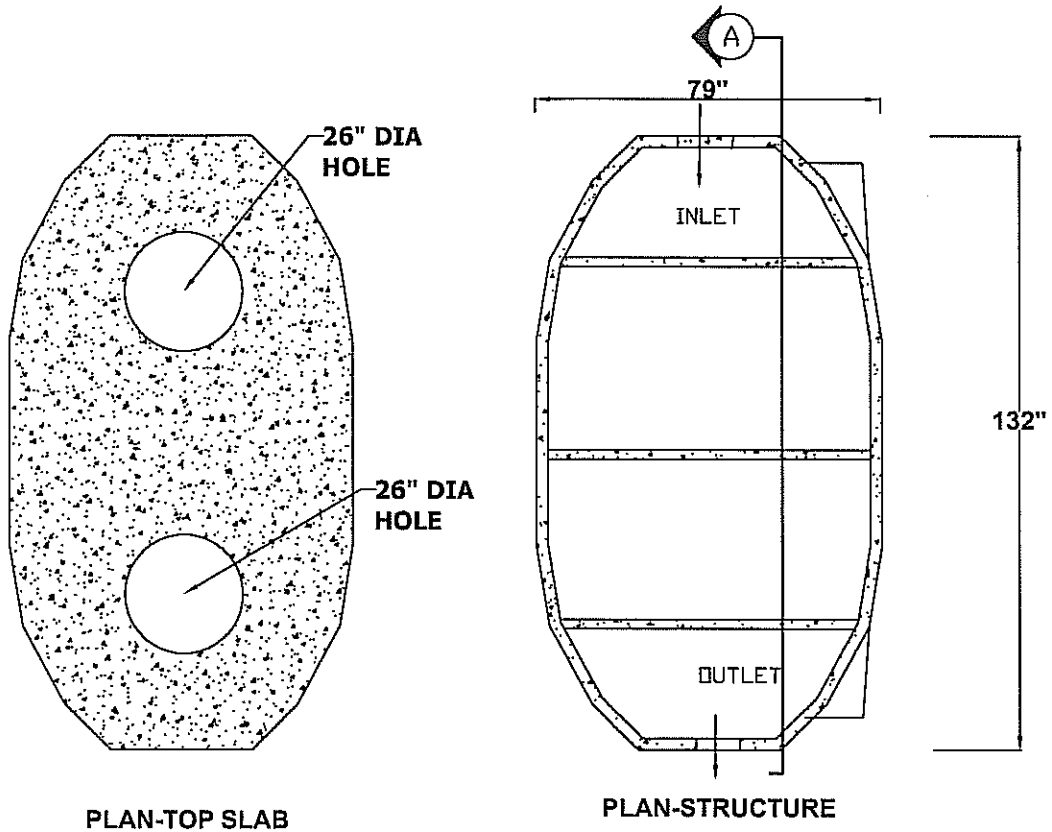
RELIABLE CONCRETE PRODUCTS  
 615 SCOTT\* KANSAS CITY, KANSAS 66119

STRUCTURE DESIGNATION  
 1500 GAL INTERCEPTOR

DATE  
 09/17/13

STANDARD

# 1500 GAL INTERCEPTOR



DIG HOLE SIZE= 12' X 7'

REBAR PLACEMENT  
#5 @ 12" C/C EA. WAY TOP SLAB  
#3 BAR AROUND TOP  
6X6X10X10 WIRE, BOTTOM AND SIDES

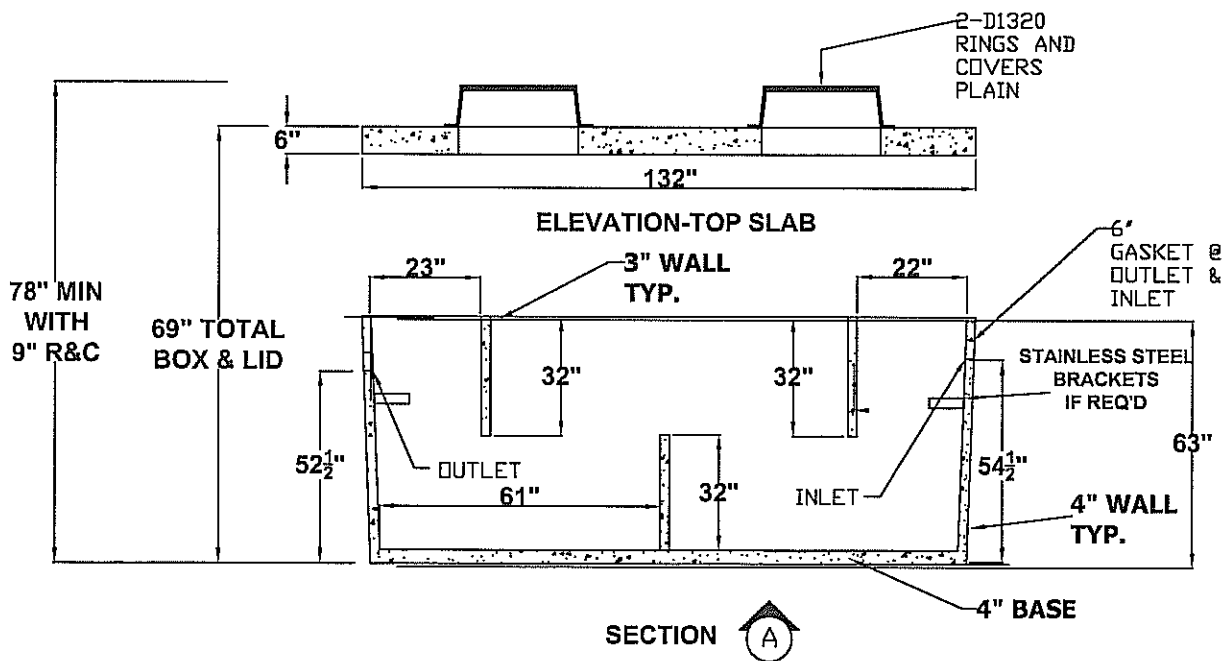
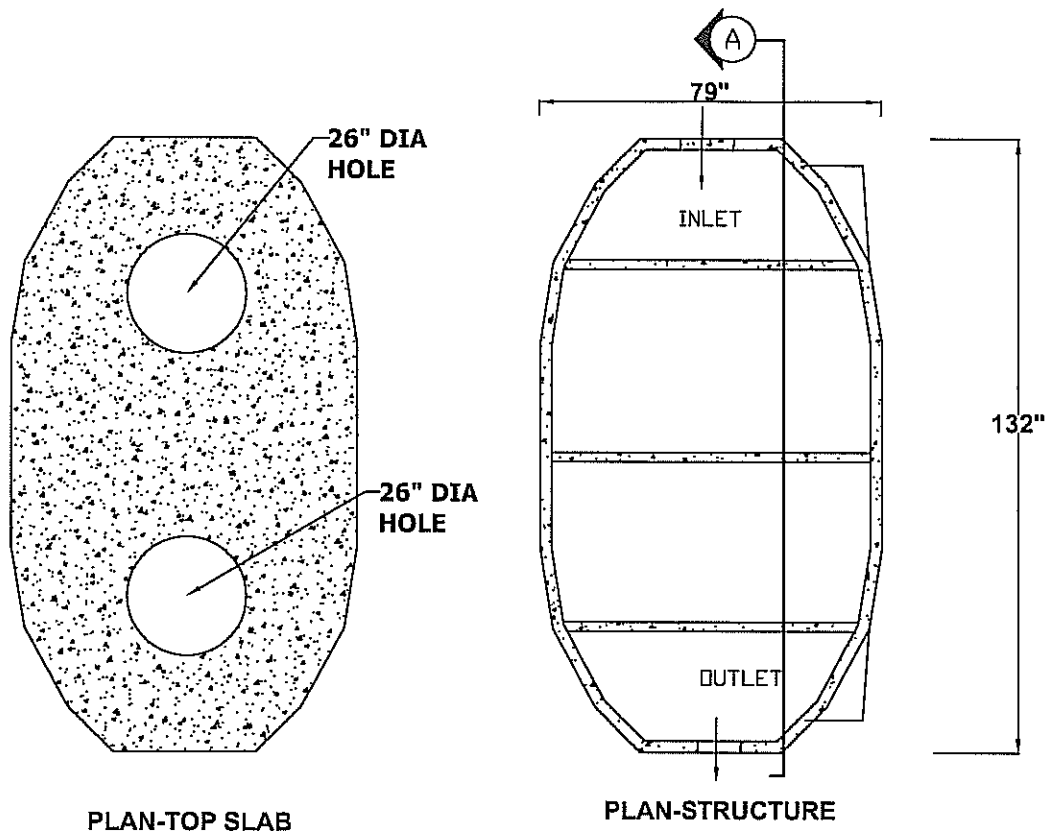
RELIABLE CONCRETE PRODUCTS  
615 SCOTT\* KANSAS CITY, KANSAS 66119

STRUCTURE DESIGNATION  
1500 GAL INTERCEPTOR

DATE  
09/09/13

6" PIPE

# 1500 GAL INTERCEPTOR



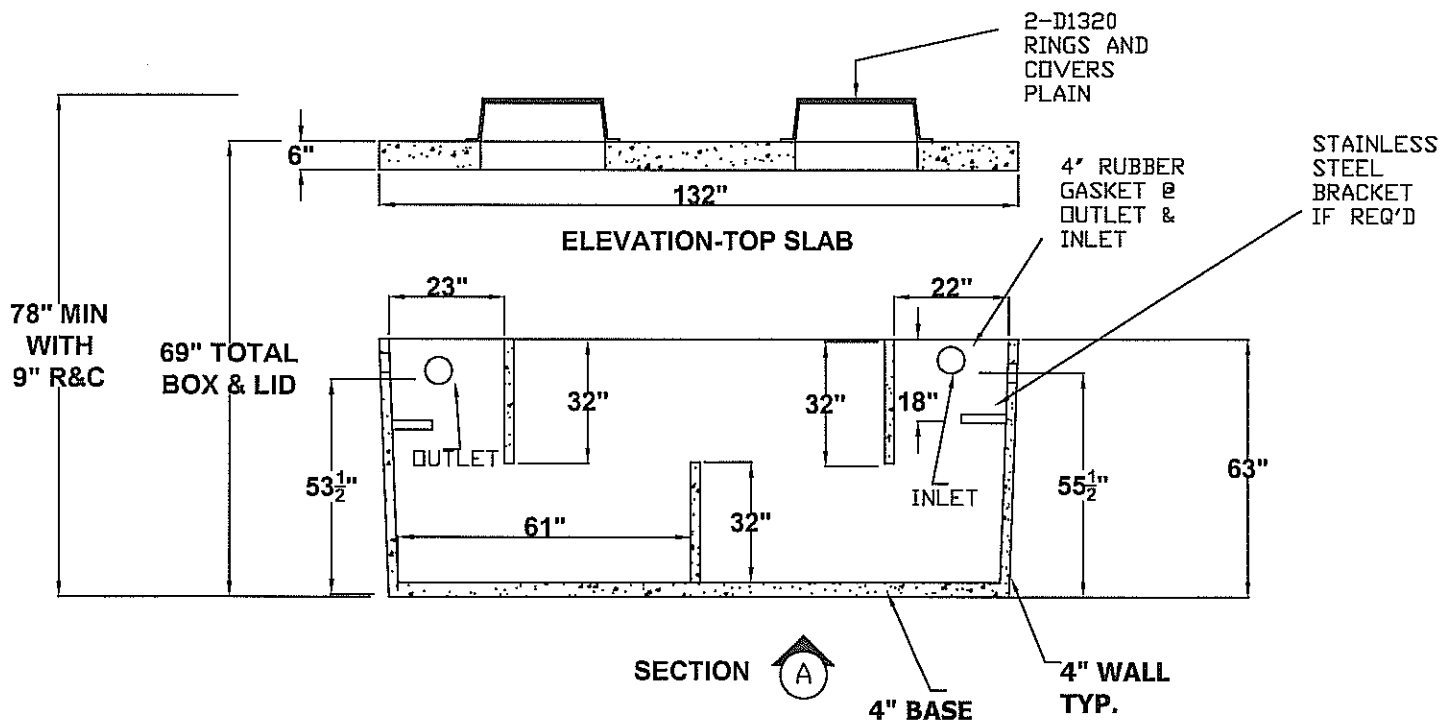
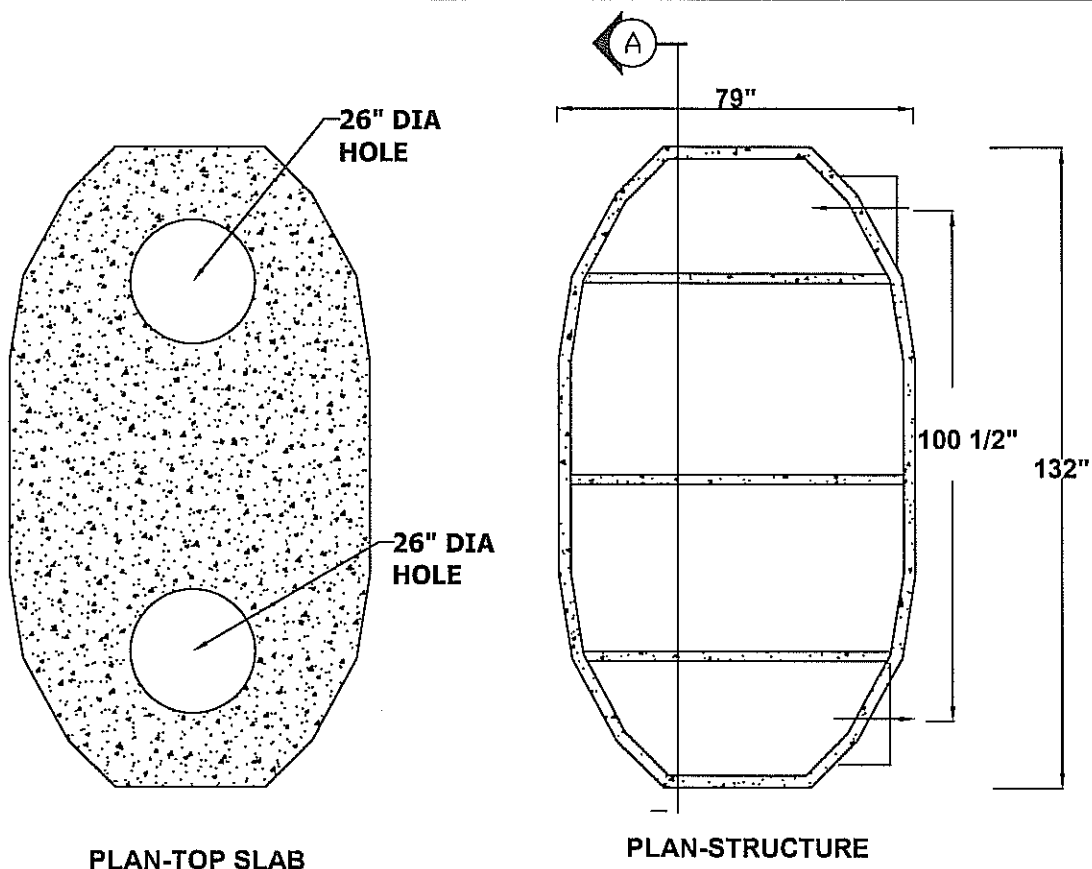
DIG HOLE SIZE= 12' X 7'

REBAR PLACEMENT  
#5 @ 12" C/C EA. WAY TOP SLAB  
#3 BAR AROUND TOP  
6X6X10X10 WIRE, BOTTOM AND SIDES

RELIABLE CONCRETE PRODUCTS  
615 SCOTT\* KANSAS CITY, KANSAS 66119

STRUCTURE DESIGNATION  
1500 GAL INTERCEPTOR

DATE  
09/09/13

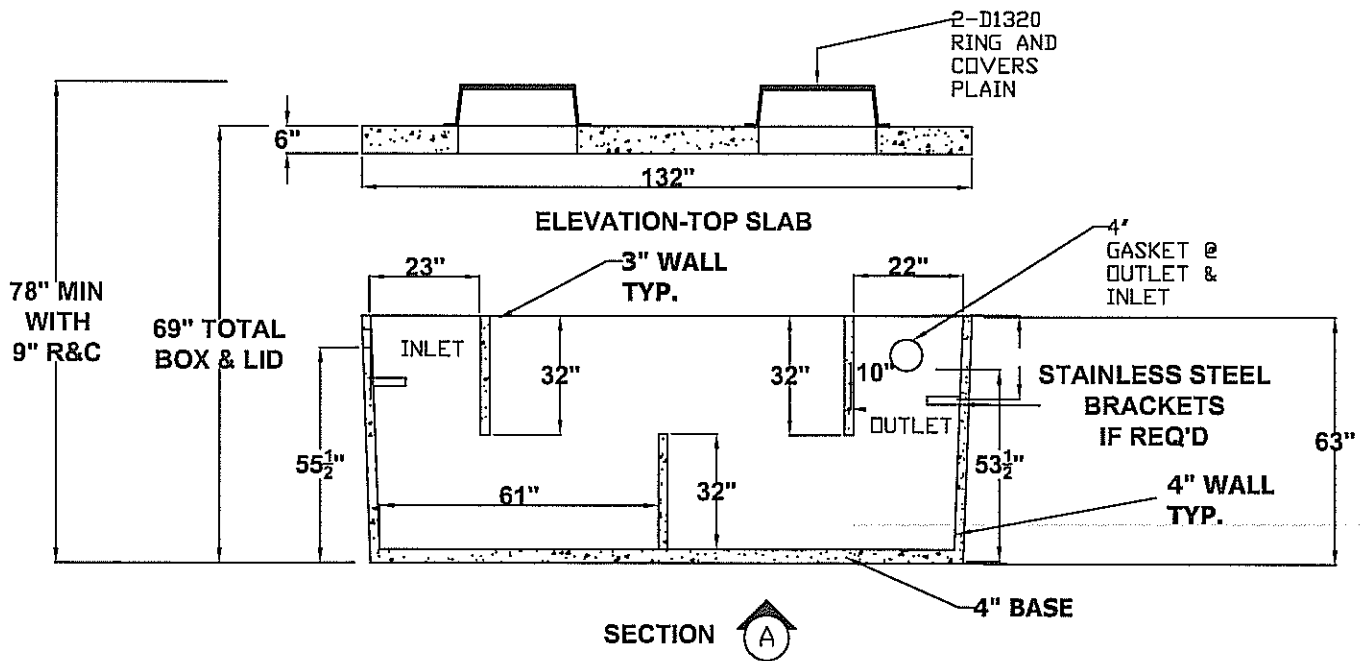
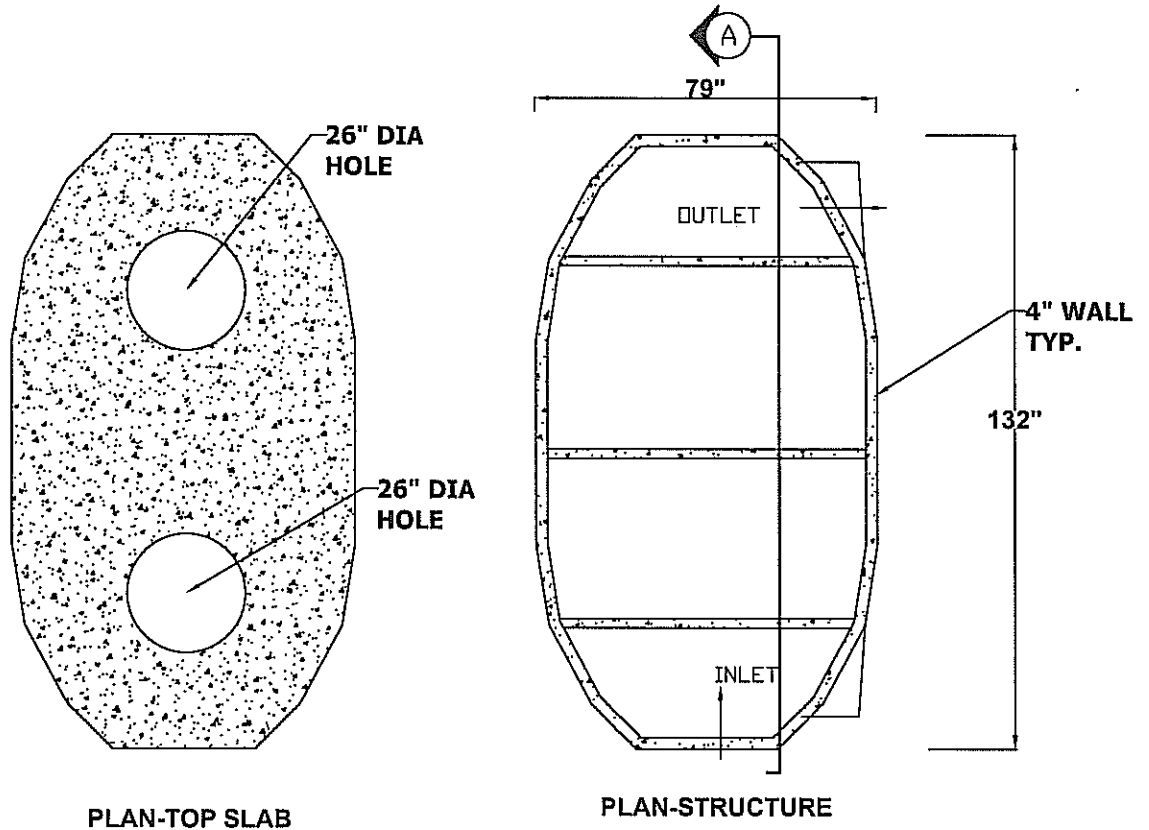


DIG HOLE SIZE= 12' X 7'

REBAR PLACEMENT  
 #5 @ 12" C/C EA. WAY TOP SLAB  
 #3 BAR AROUND TOP  
 6X6X10X10 WIRE, BOTTOM AND SIDES

**IN-LE/OUT-RS**

**1500 GAL INTERCEPTOR**

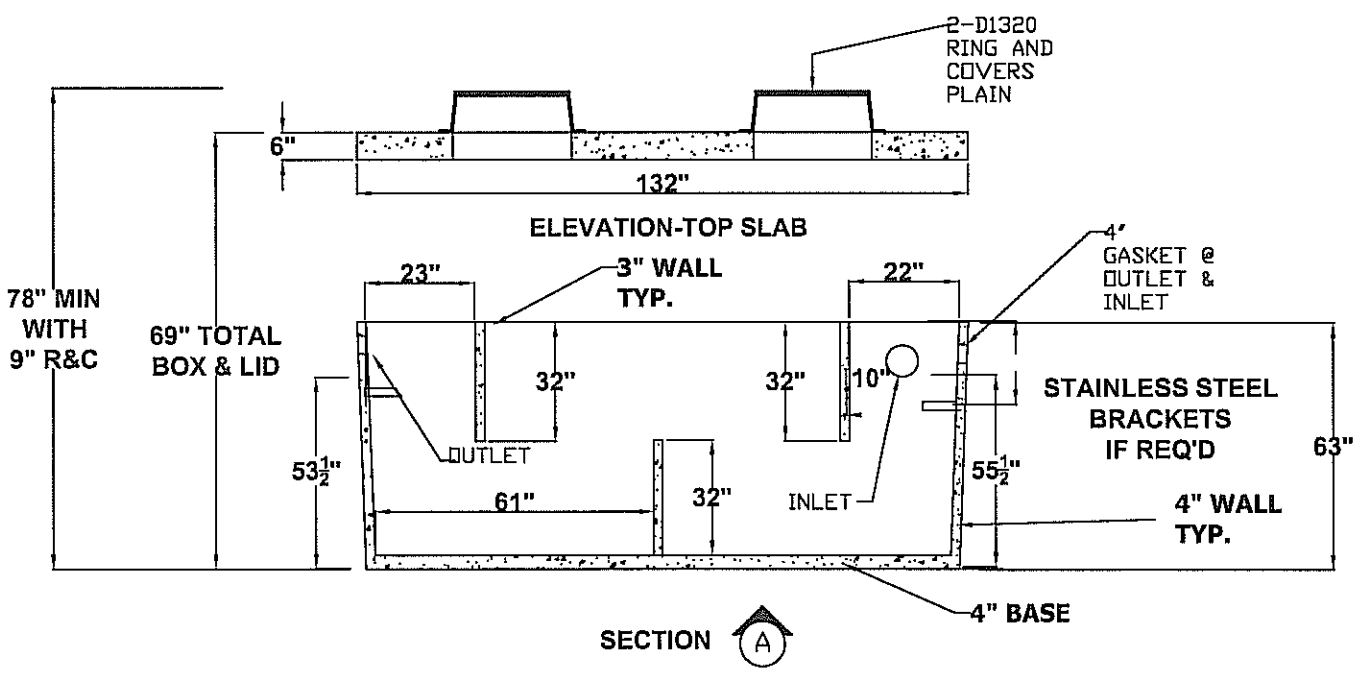
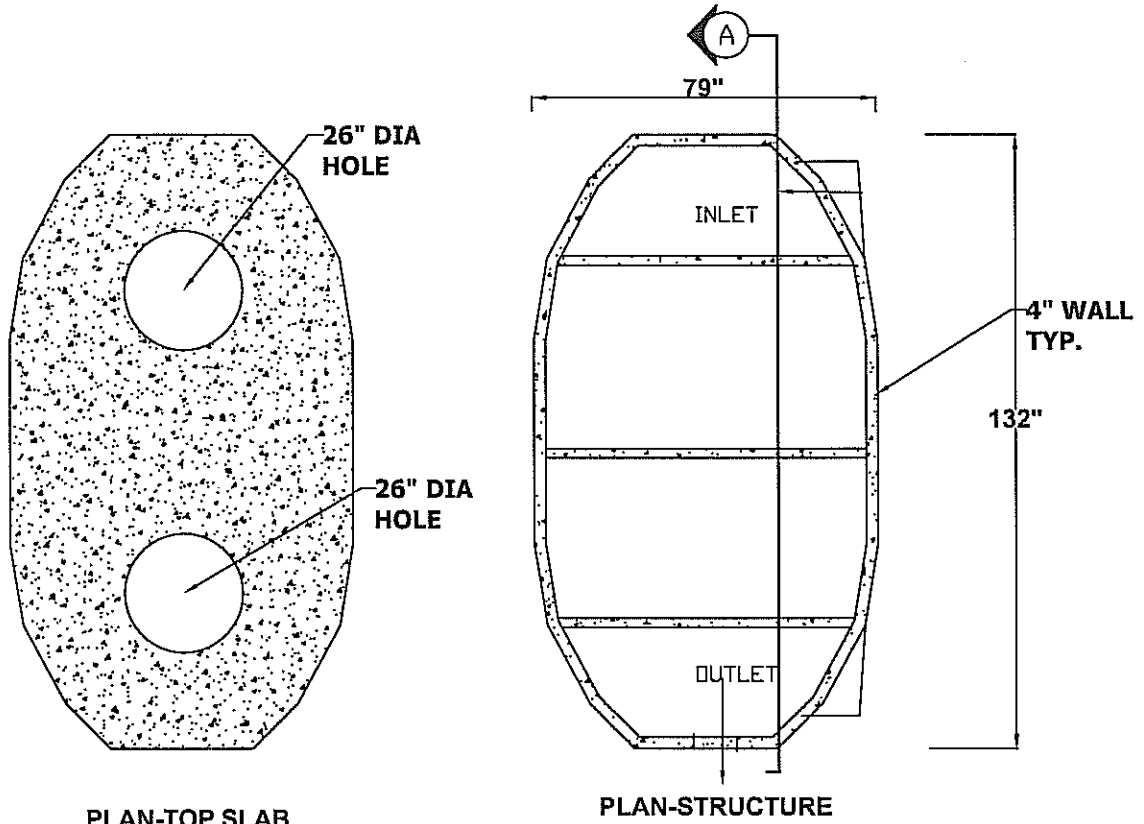


DIG HOLE SIZE= 12' X 7'

**REBAR PLACEMENT**  
 #5 @ 12" C/C EA. WAY TOP SLAB  
 #3 BAR AROUND TOP  
 6X6X10X10 WIRE, BOTTOM AND SIDES

IN-RS/OUT-LE

# 1500 GAL INTERCEPTOR



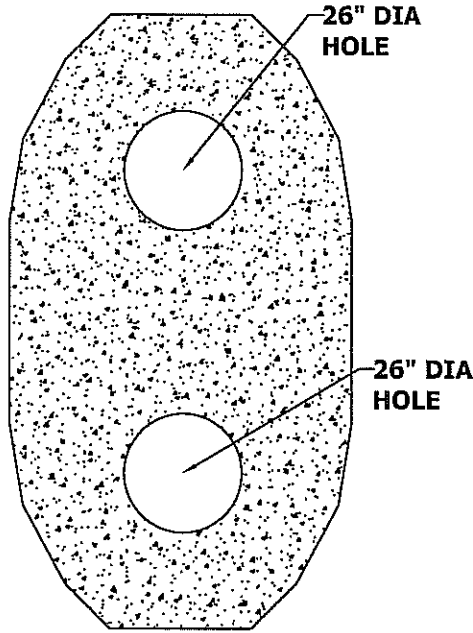
DIG HOLE SIZE= 12' X 7'

**REBAR PLACEMENT**  
 #5 @ 12" C/C EA. WAY TOP SLAB  
 #3 BAR AROUND TOP  
 6X6X10X10 WIRE, BOTTOM AND SIDES

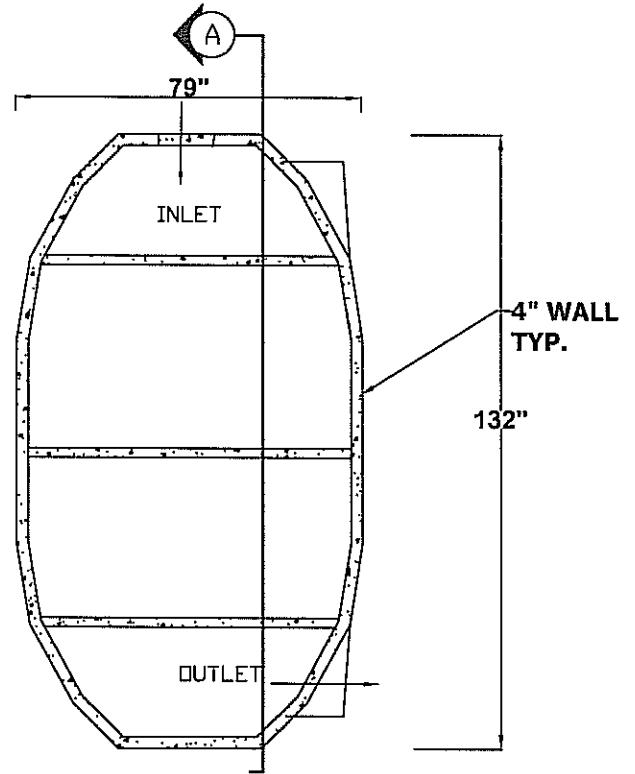
<p>RELIABLE CONCRETE PRODUCTS          615 SCOTT* KANSAS CITY, KANSAS 66119</p>	<p>STRUCTURE DESIGNATION          1500 GAL INTERCEPTOR</p>	<p>DATE          09/17/13</p>
---	--	-----------------------------------

**IN-RE/OUT-LS**

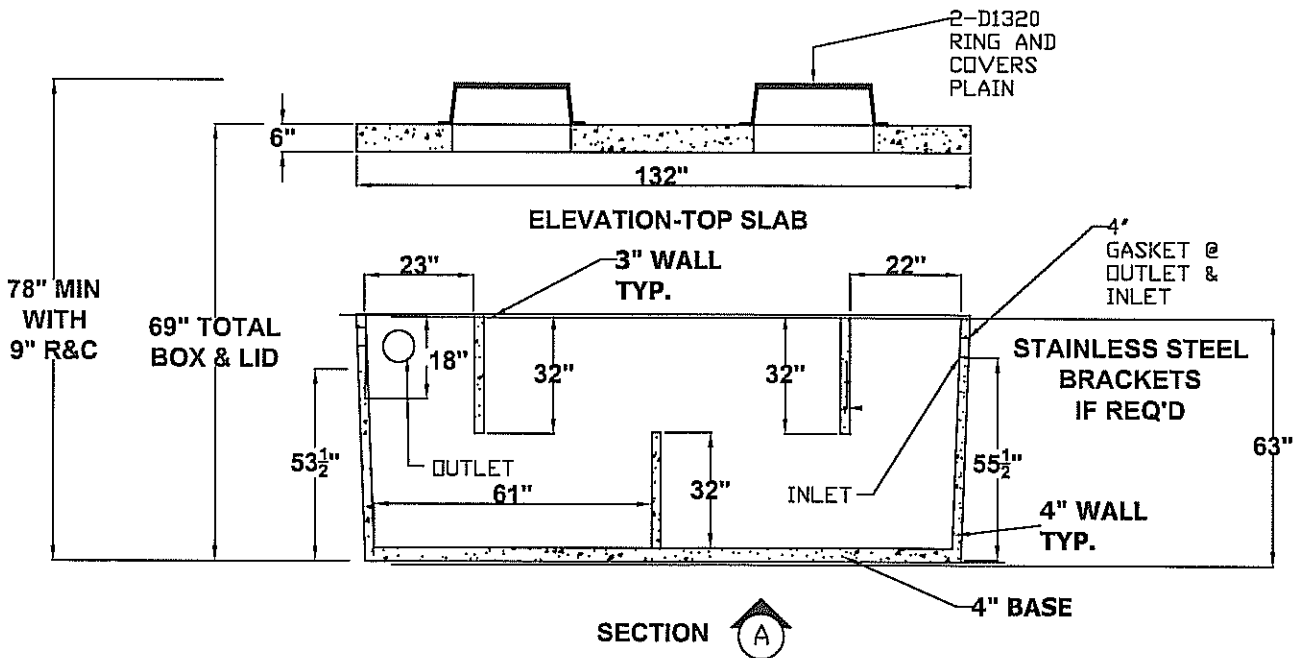
**1500 GAL INTERCEPTOR**



**PLAN-TOP SLAB**



**PLAN-STRUCTURE**



**SECTION A**

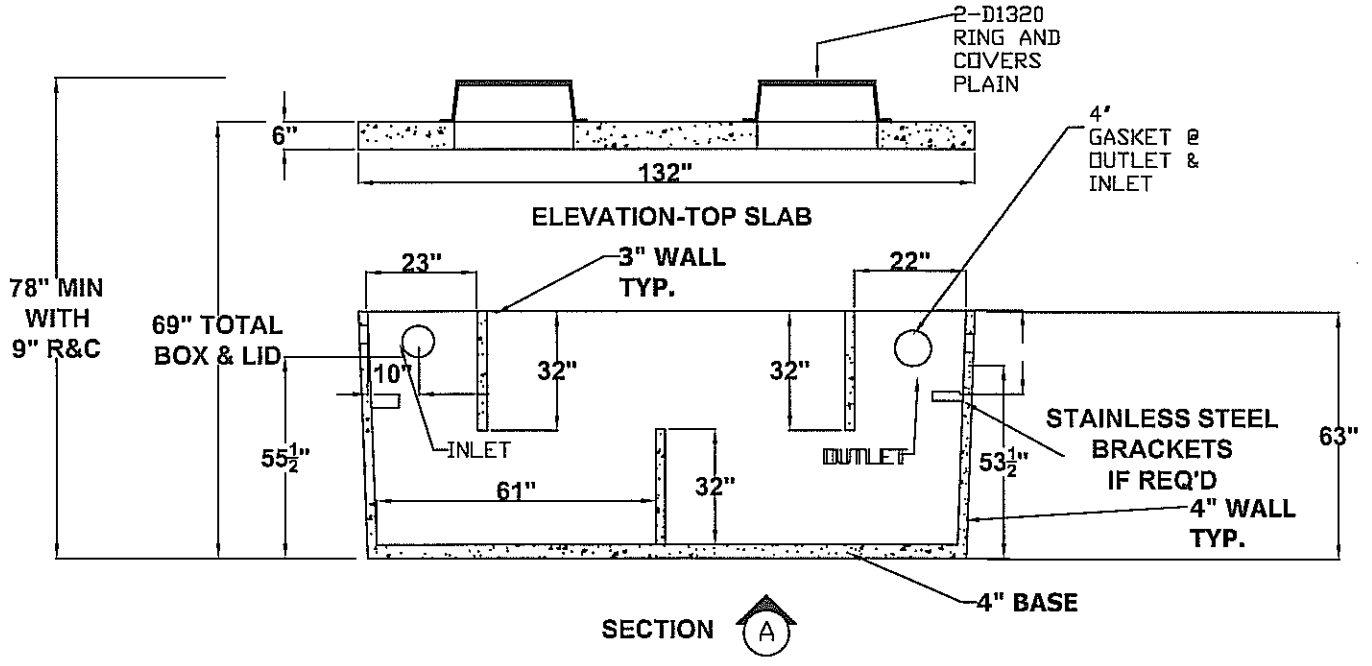
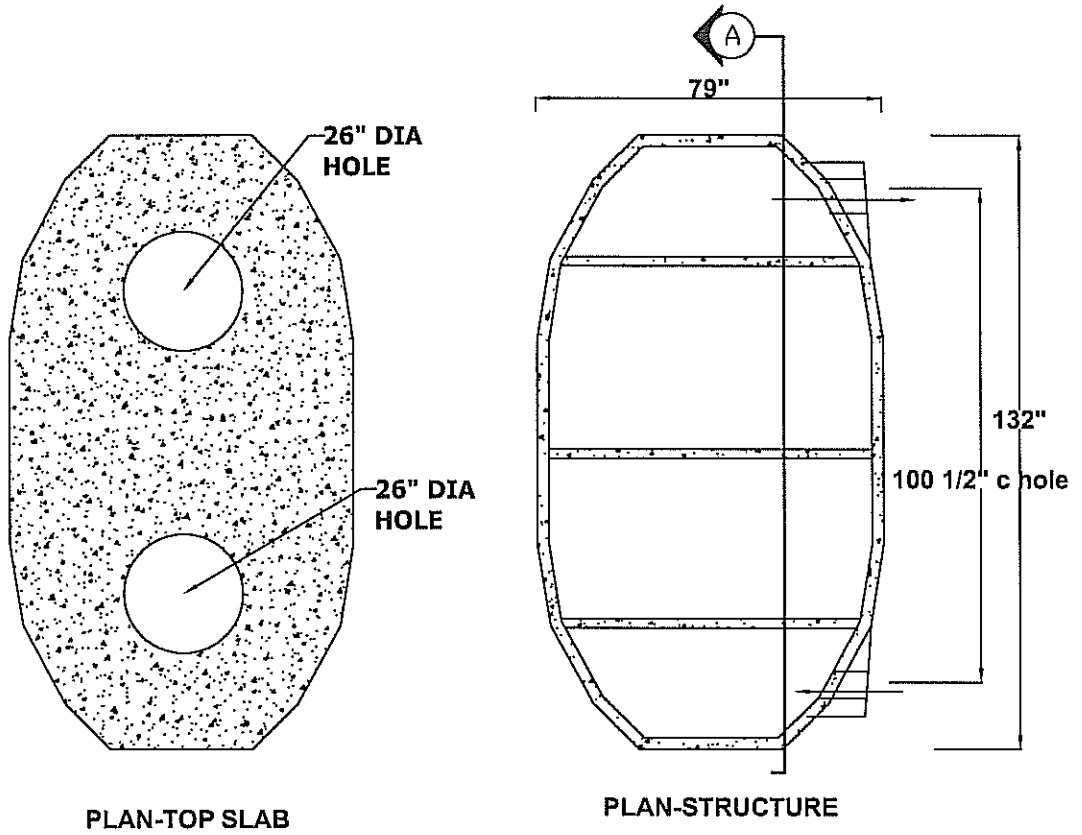
**DIG HOLE SIZE= 12' X 7'**

**REBAR PLACEMENT**  
 #5 @ 12" C/C EA. WAY TOP SLAB  
 #3 BAR AROUND TOP  
 6X6X10X10 WIRE, BOTTOM AND SIDES

**RELIABLE CONCRETE PRODUCTS**  
 615 SCOTT\* KANSAS CITY, KANSAS 66119

STRUCTURE DESIGNATION  
**1500 GAL INTERCEPTOR**

DATE  
**09/17/13**



DIG HOLE SIZE= 12' X 7'

REBAR PLACEMENT  
 #5 @ 12" C/C EA. WAY TOP SLAB  
 #3 BAR AROUND TOP  
 6X6X10X10 WIRE, BOTTOM AND SIDES