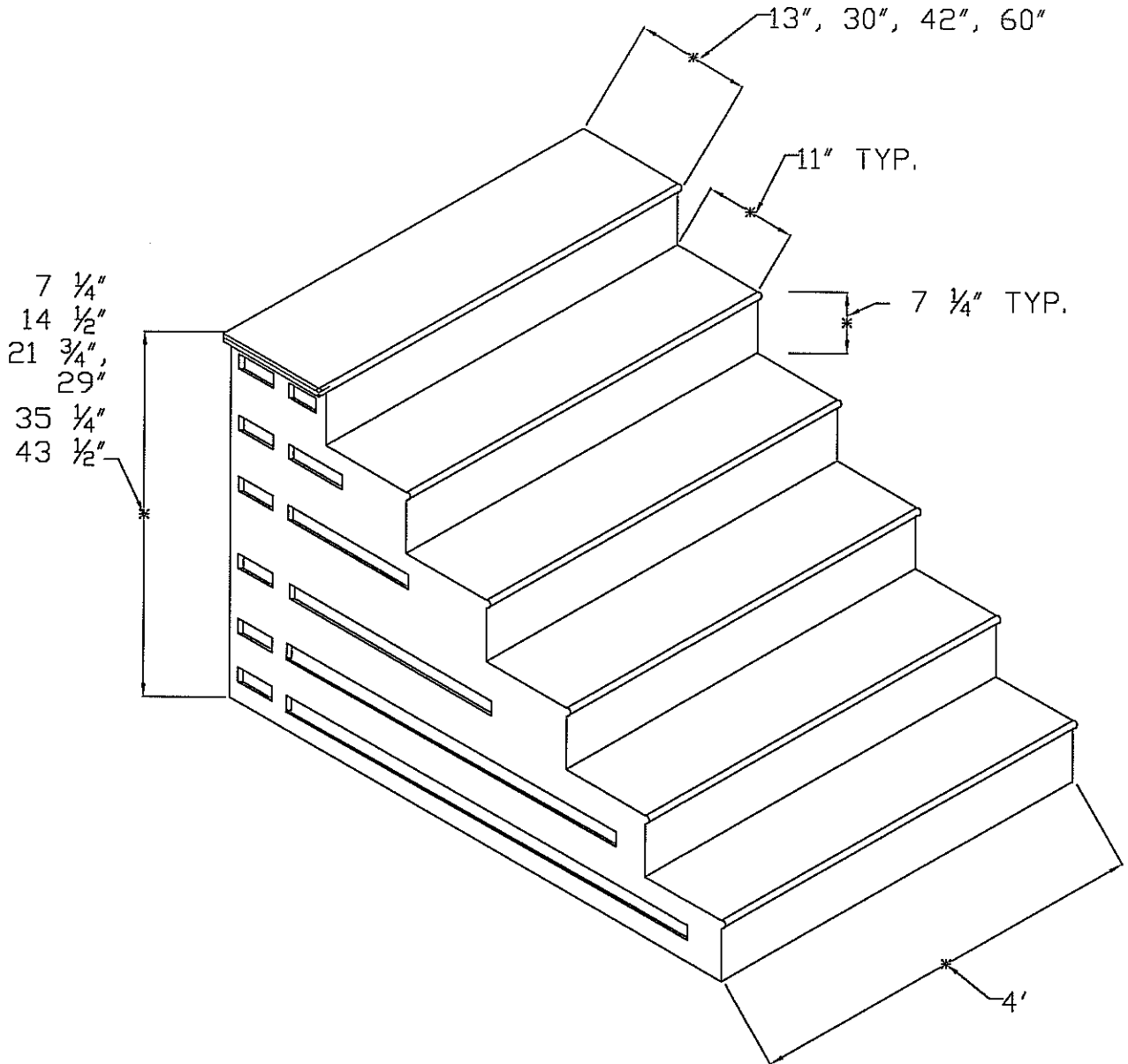


UP TO 6 RISES
AVAILABLE



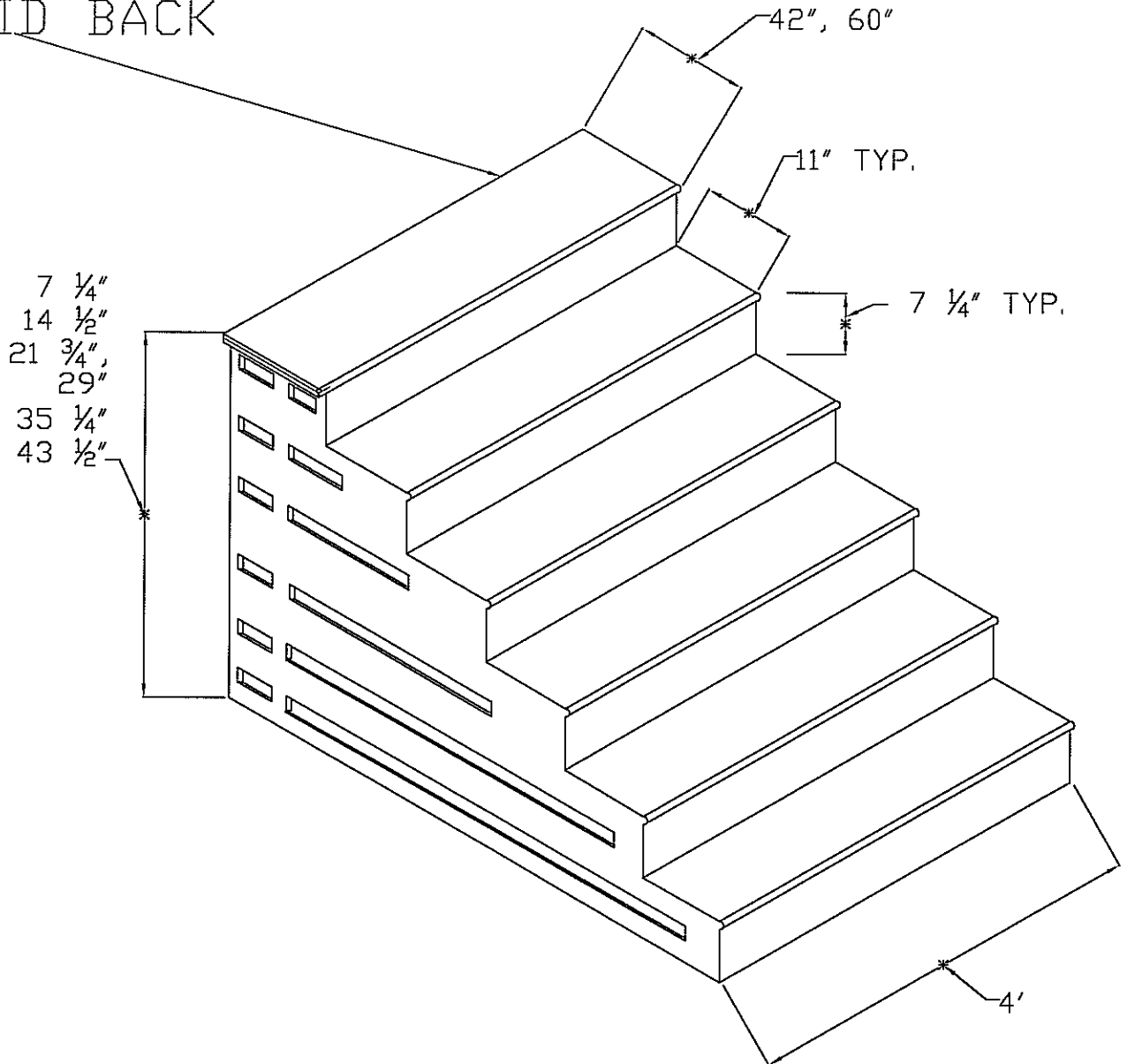
RAILS AVAILABLE
UPON REQUEST

CONTRACTOR

PROJECT
PRECAST CONCRETE STEPS 7 1/4" RISE SIDE ENTRANCE

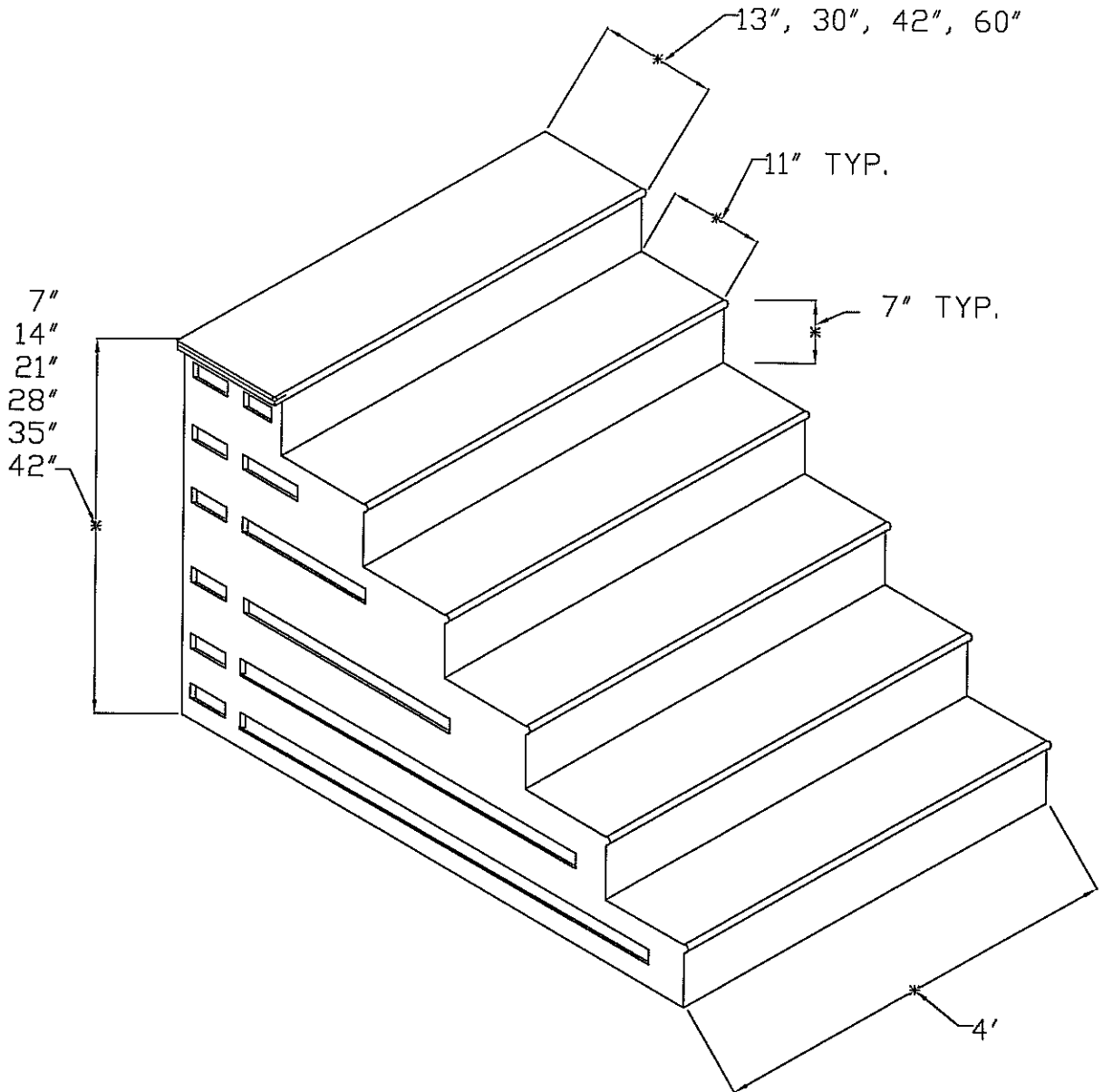
UP TO 6 RISES
AVAILABLE

SOLID BACK



RAILS AVAILABLE
UPON REQUEST

UP TO 6 RISES
AVAILABLE

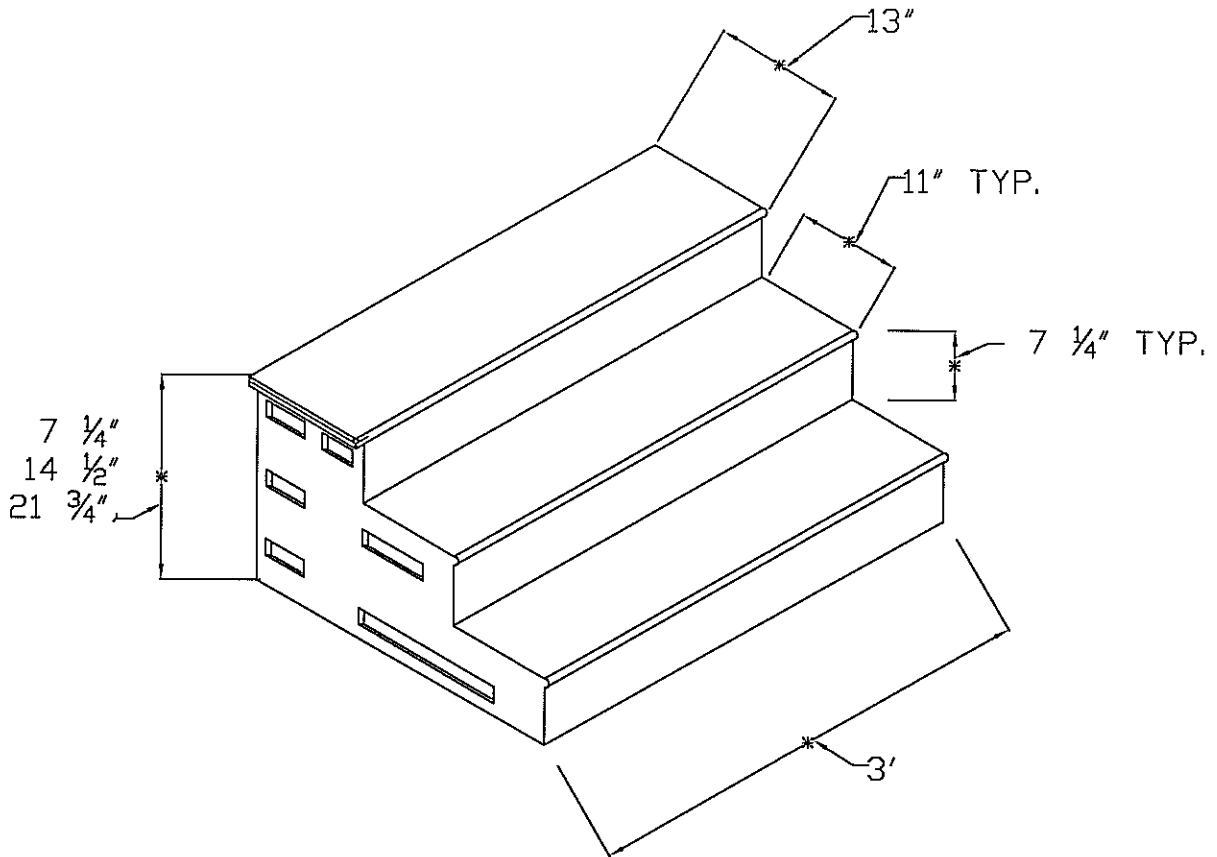


RAILS AVAILABLE
UPON REQUEST

CONTRACTOR

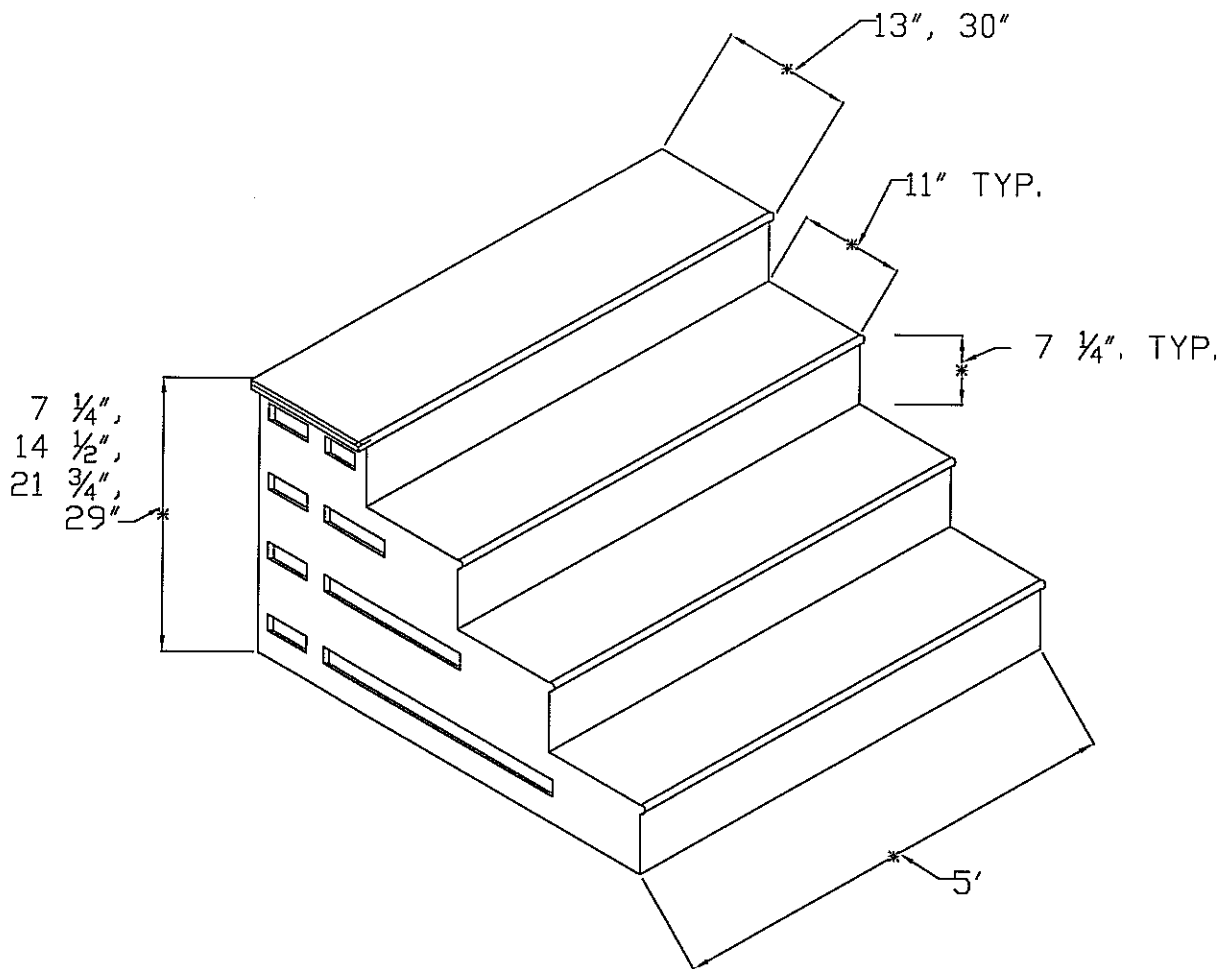
PROJECT
PRECAST CONCRETE STEPS 7 1/4" RISE

UP TO 3 RISES
AVAILABLE



RAILS AVAILABLE
UPON REQUEST

UP TO 4 RISES
AVAILABLE



RAILS AVAILABLE
UPON REQUEST