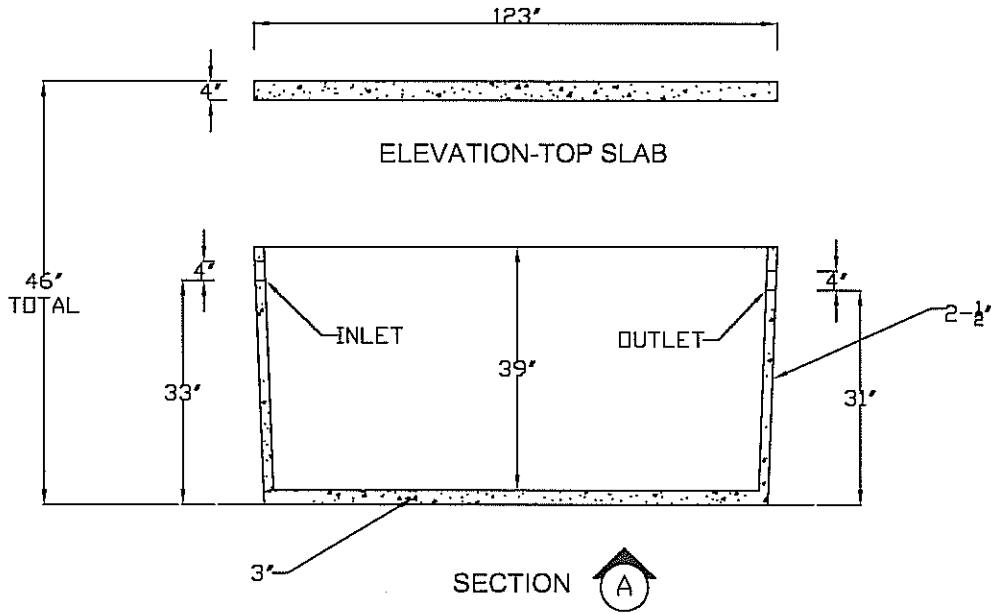
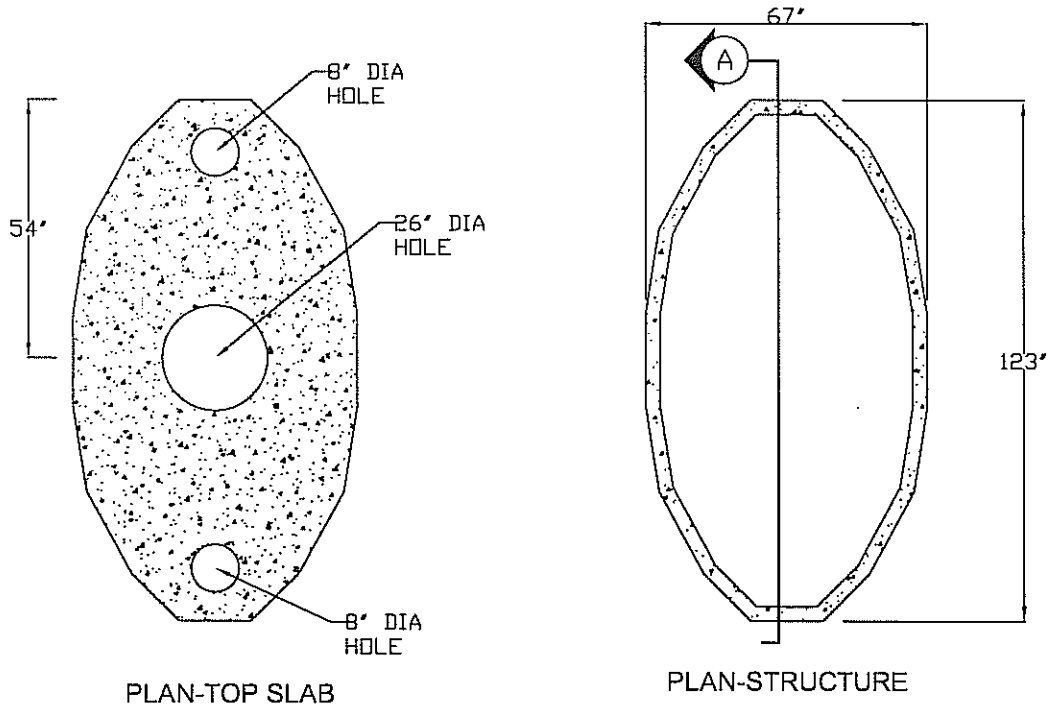


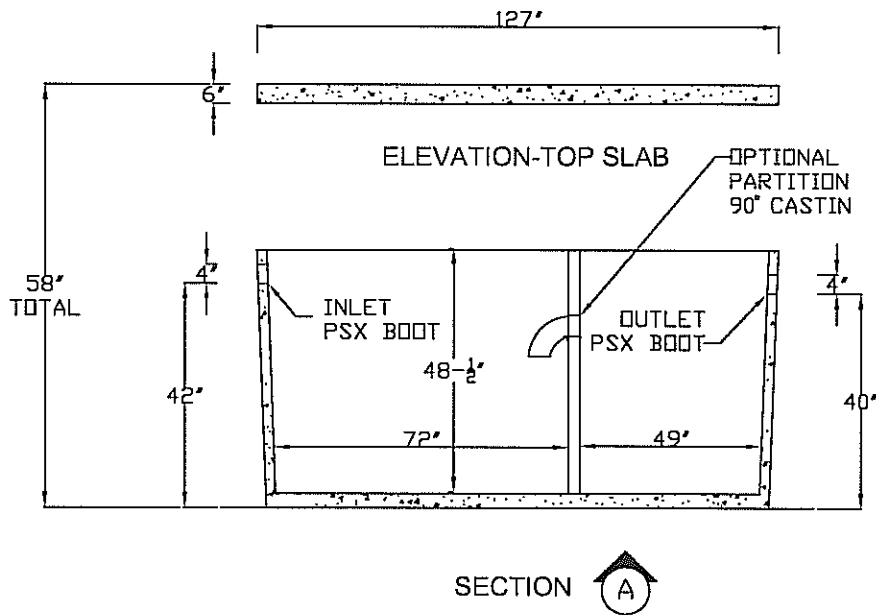
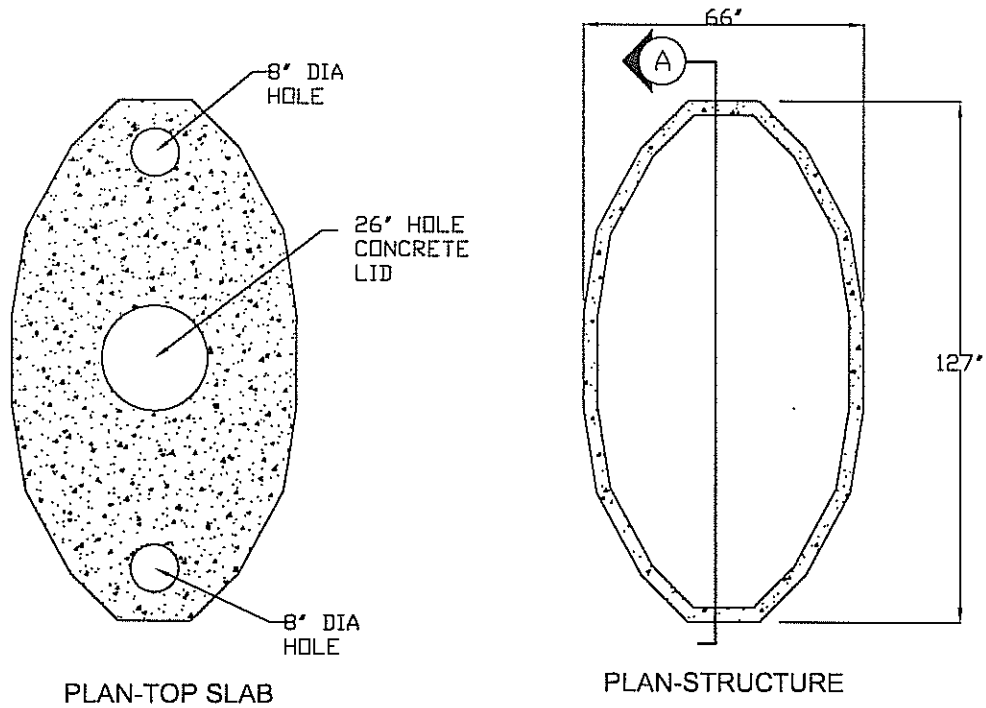
# 500 GAL SEPTIC TANK



DIG HOLE SIZE= 11'-6" X 6'-6"

REBAR PLACEMENT  
 #5 @ 12" C/C EA. WAY TOP SLAB  
 #3 BAR AROUND TOP  
 6X6X10X10 WIRE, BOTTOM AND SIDES

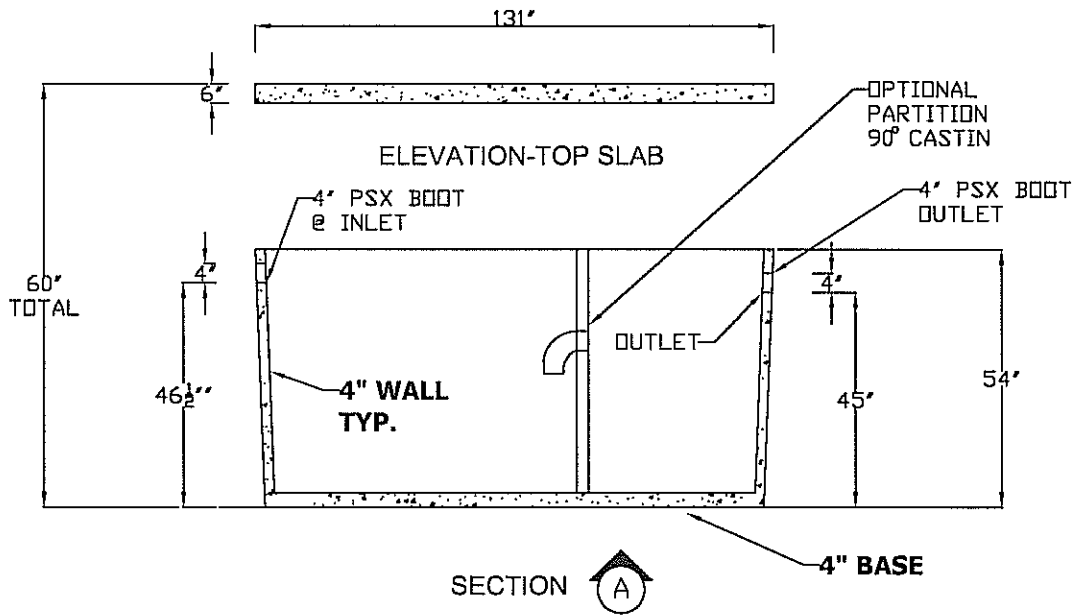
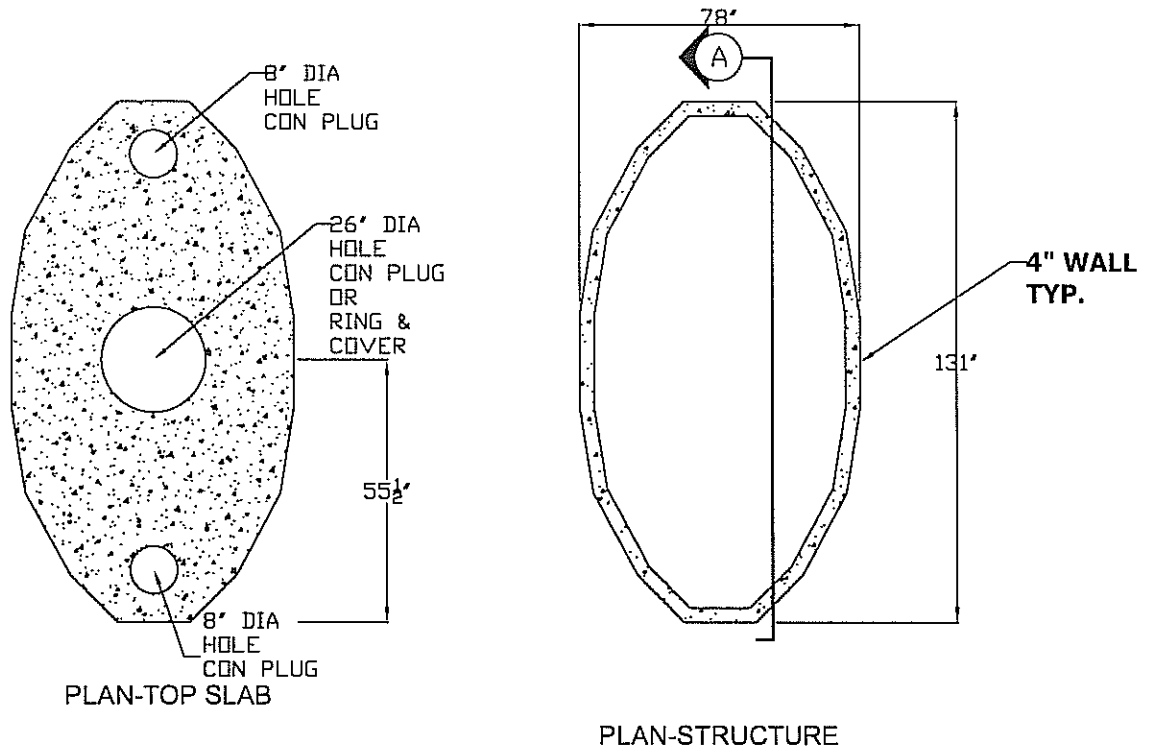
# 1000 GAL SEPTIC TANK 1 OR 2 COMPARTMENT



DIG HOLE SIZE= 11'-5" X 6'-6"

REBAR PLACEMENT  
 #5 @ 6" C/C EA. WAY TOP SLAB  
 #3 BAR AROUND TOP  
 6X6X10X10 WIRE, BOTTOM AND SIDES

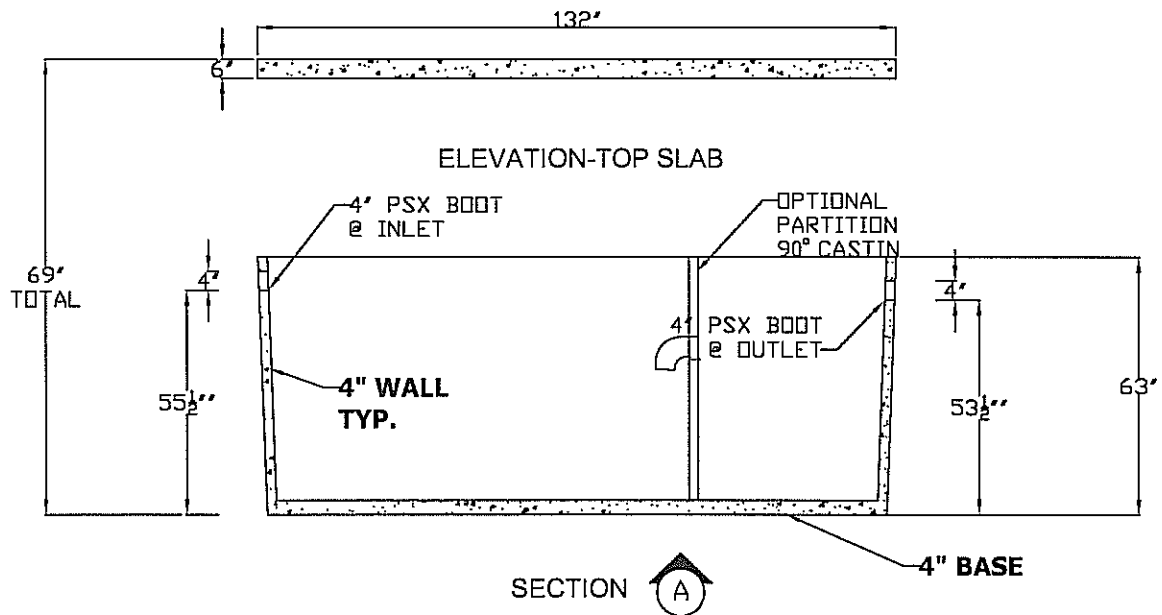
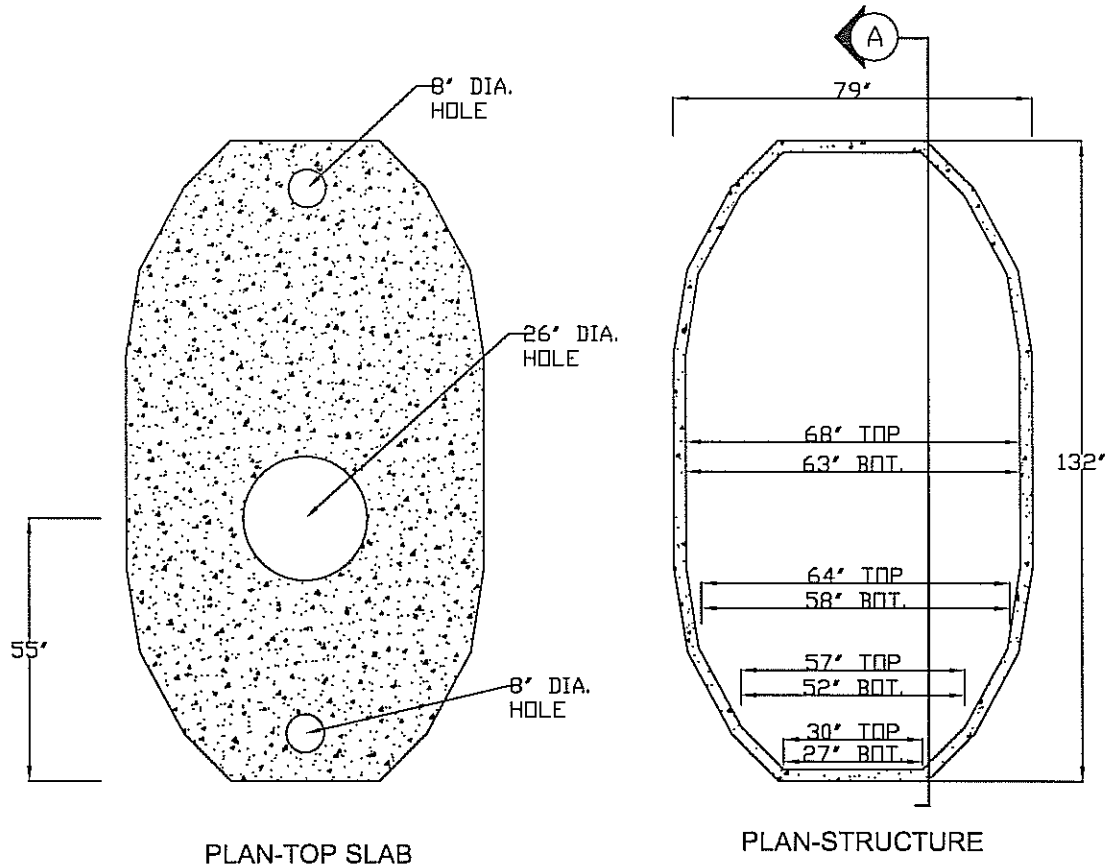
# 1200 GAL SEPTIC TANK 1 OR 2 COMPARTMENT



DIG HOLE SIZE= 12' X 7'

REBAR PLACEMENT  
 #5 @ 6" C/C EA. WAY TOP SLAB  
 #3 BAR AROUND TOP  
 6X6X10X10 WIRE, BOTTOM AND SIDES

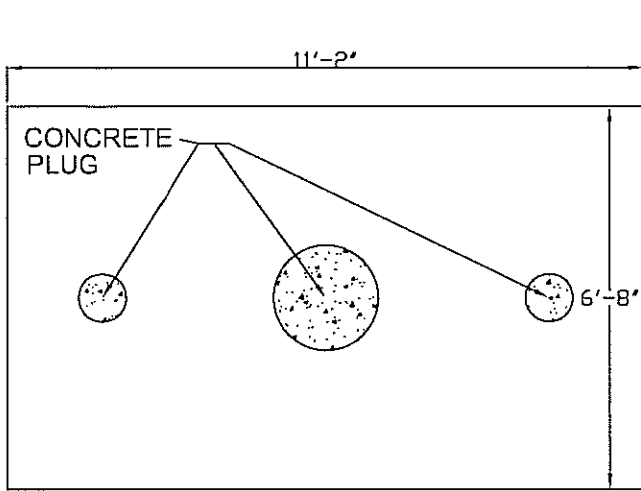
# 1500 GAL SEPTIC TANK 1 OR 2 COMPARTMENT



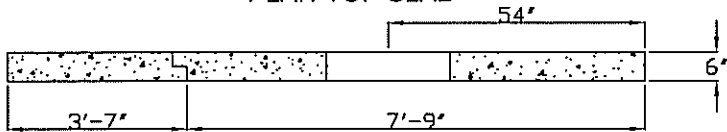
DIG HOLE SIZE= 12' X 7'

REBAR PLACEMENT  
 #5 @ 6" C/C EA. WAY TOP SLAB  
 #3 BAR AROUND TOP  
 6X6X10X10 WIRE, BOTTOM AND SIDES

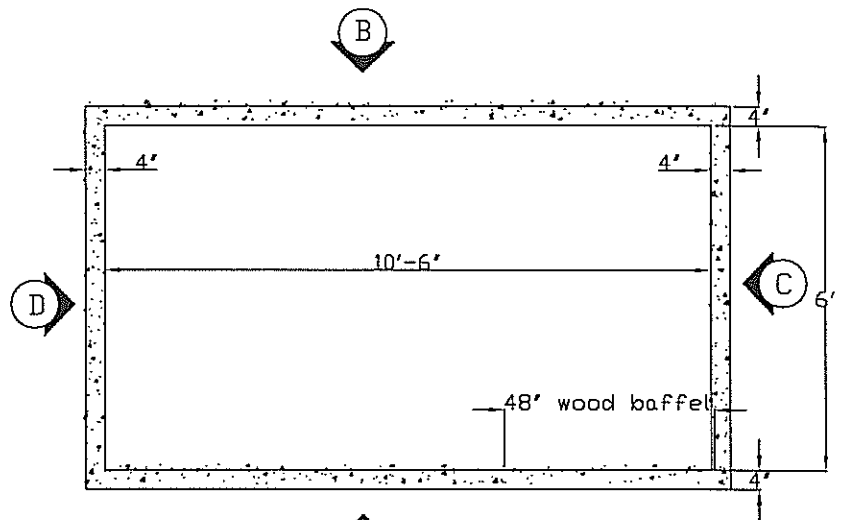
# SEPTIC TANK 2000 GAL. 1 OR 2 COMPARTMENT



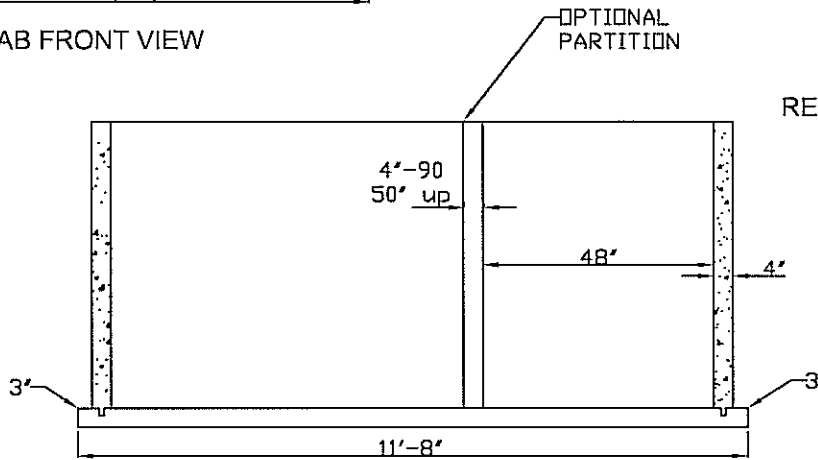
PLAN-TOP SLAB



SLAB FRONT VIEW



PLAN-STRUCTURE



ELEVATION



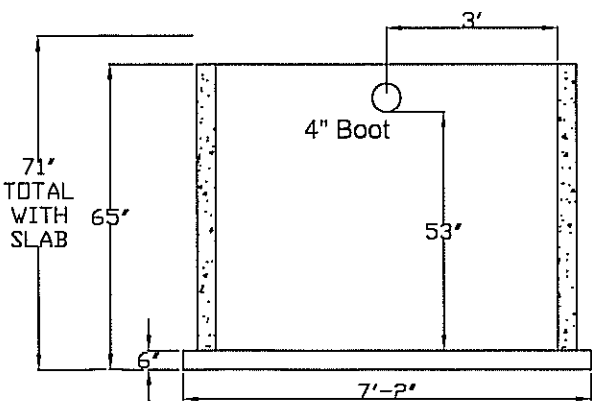
ELEVATION



**REBAR PLACEMENT**

- #4 REBAR @ 12" C/C WALLS
- #5 REBAR @ 6" C/C TOP
- #5 REBAR @ 6" C/C BASE

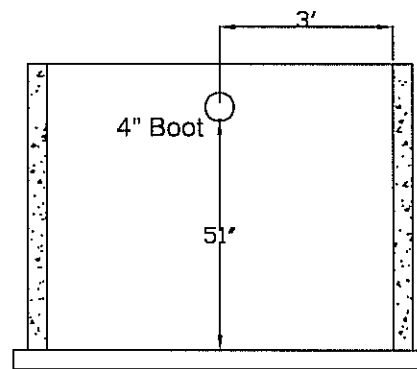
4500# PSI CONCRETE



ELEVATION



BASE - 140'x86' = 6100#  
 BOX - 8640#  
 -----  
 14751#



ELEVATION

