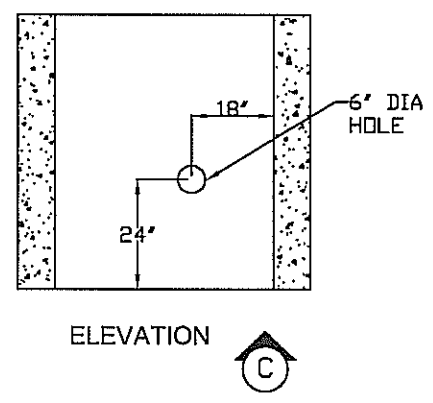
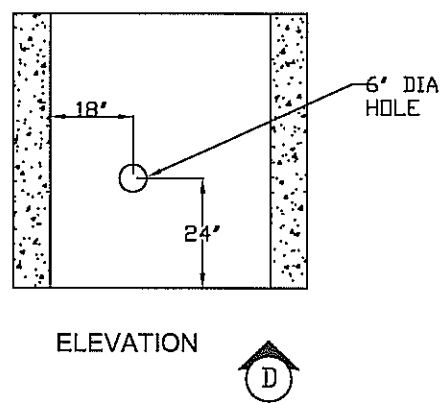
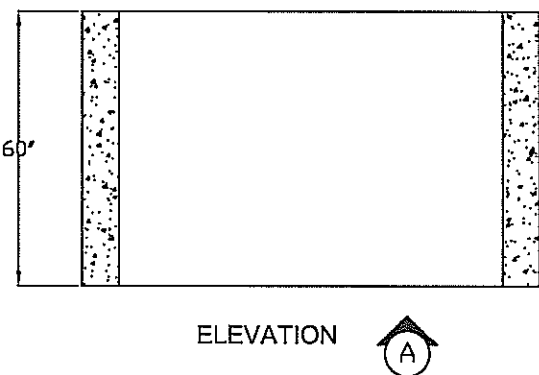
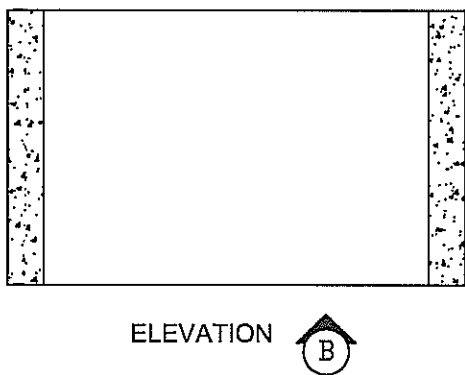
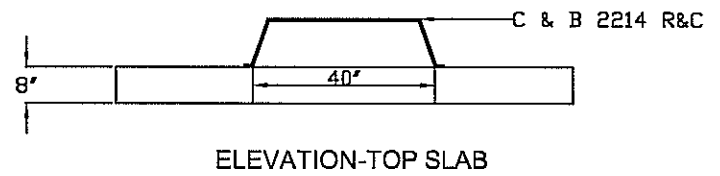
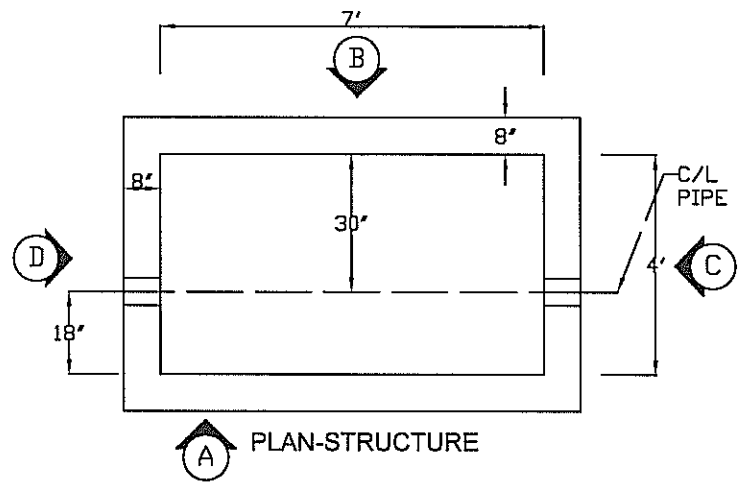
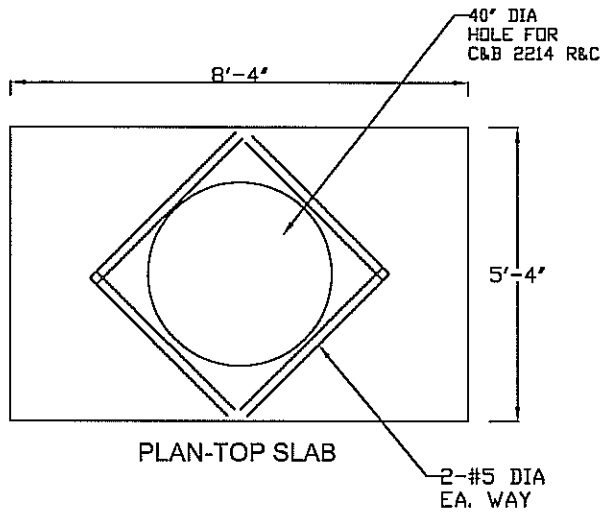


CONTRACTOR

PROJECT
2" METER PIT AND SETTING WITH BY-PASS KCMO



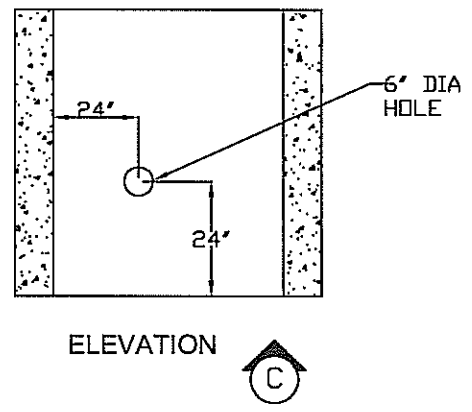
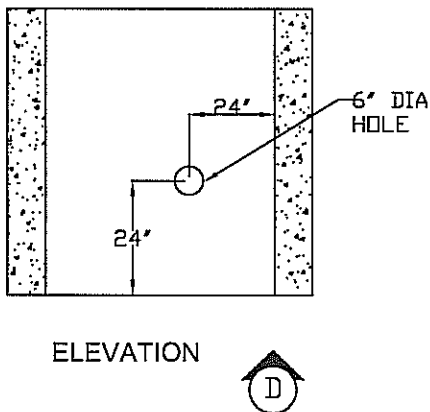
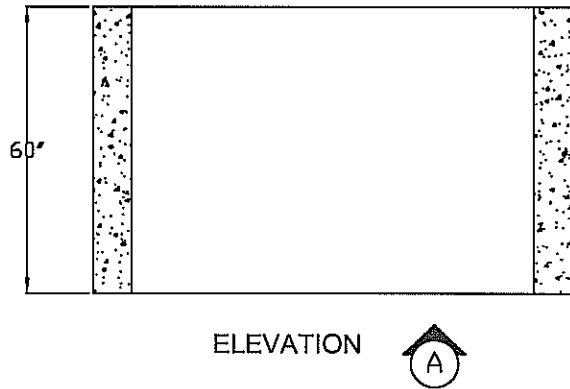
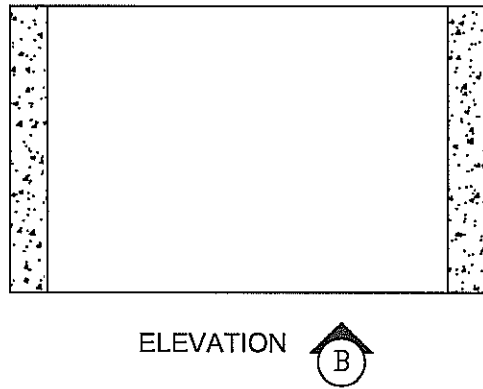
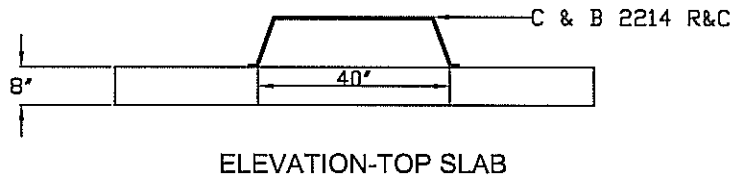
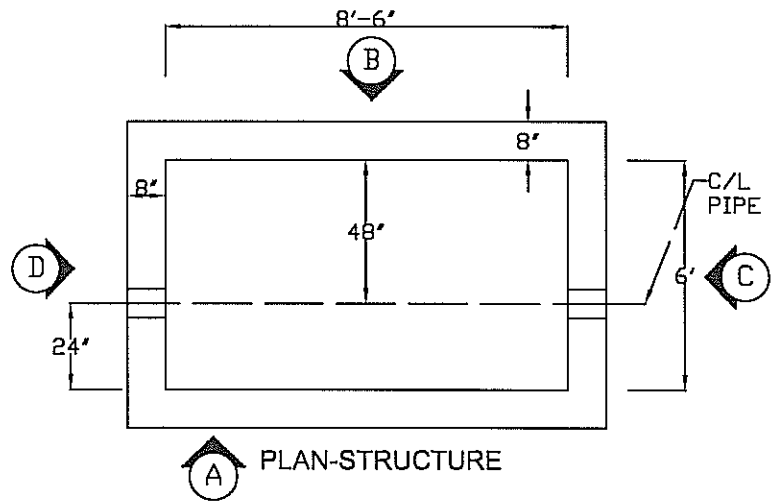
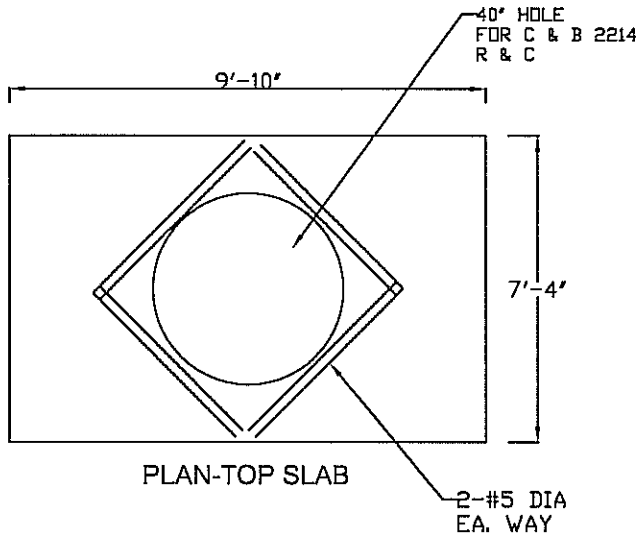
WT. TOP SLAB 4313#
WT. STRUCTURE 11658#

REBAR PLACEMENT
#5 @ 12" C/C EA. WAY WALLS
#5 @ 6" C/C EA. WAY TOP SLAB

RELIABLE CONCRETE PRODUCTS
615 SCOTT* KANSAS CITY, KANSAS 66119

STRUCTURE DESIGNATION
2" METER VAULT

DATE
09/17/13

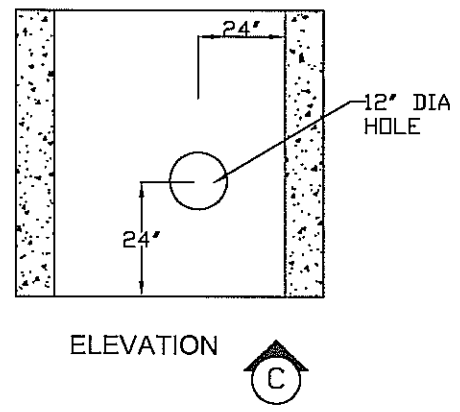
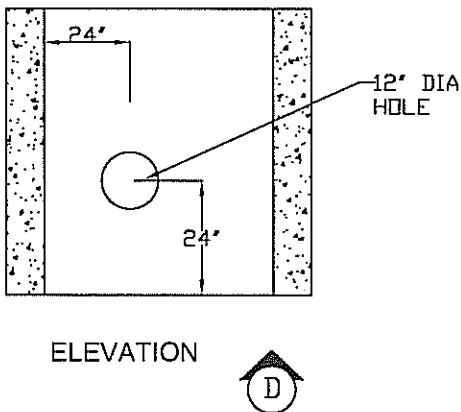
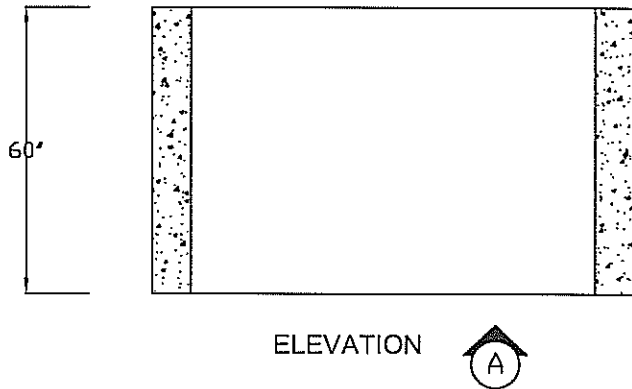
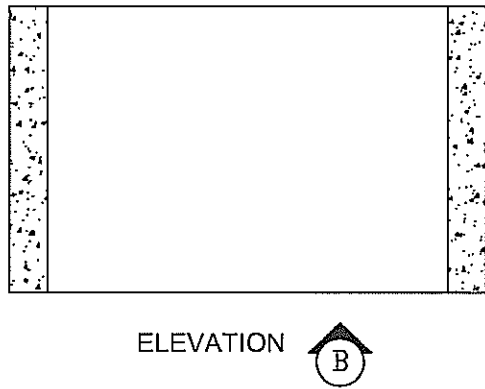
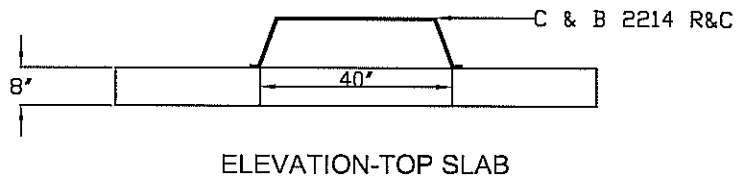
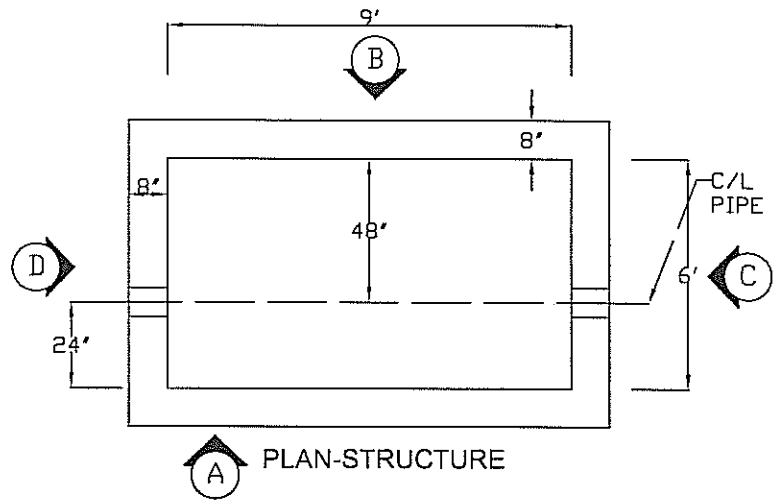
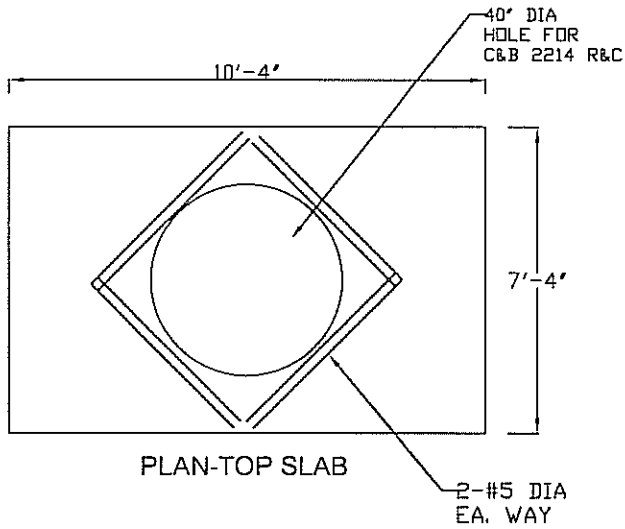


WT. TOP SLAB 7002#
WT. STRUCTURE 15378#

REBAR PLACEMENT
#5 @ 12" C/C EA. WAY WALLS
#5 @ 6" C/C EA. WAY TOP SLAB

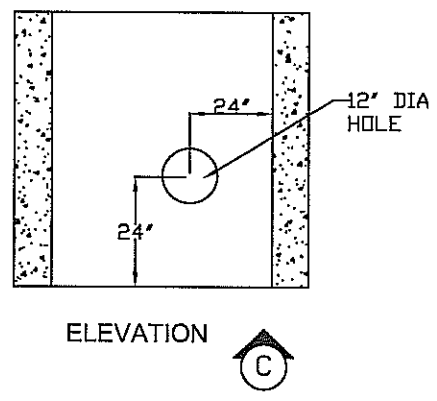
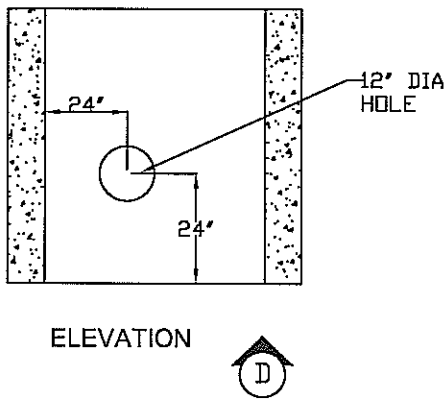
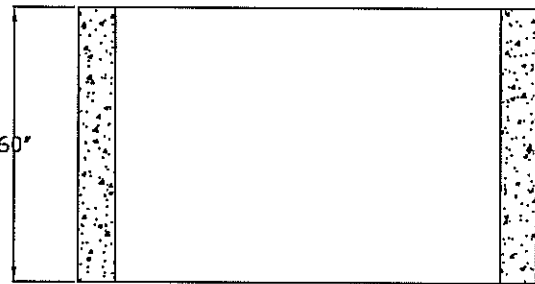
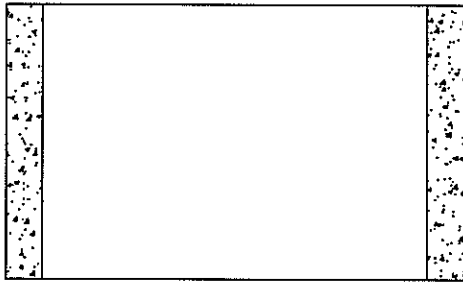
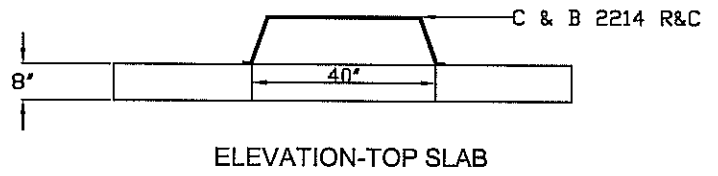
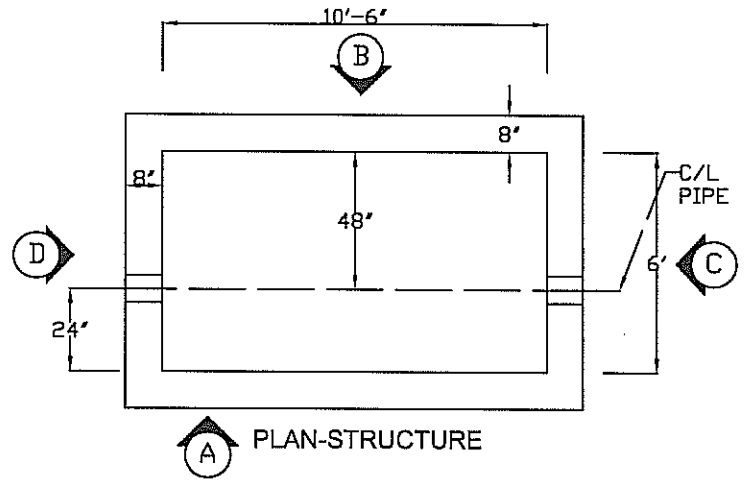
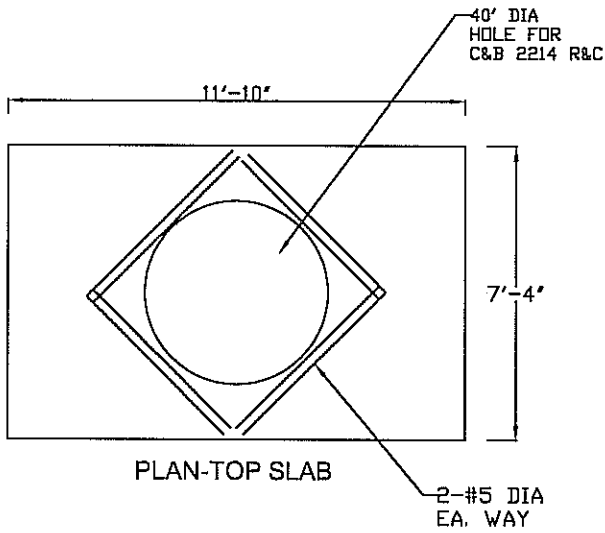
CONTRACTOR

PROJECT
4" METER PIT AND SETTING WITH BY-PASS KCMO



WT. TOP SLAB 7356#
WT. BOT SECT. 15750#

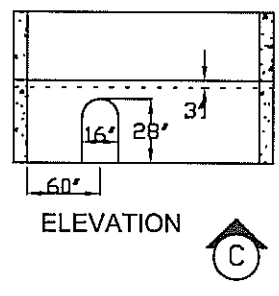
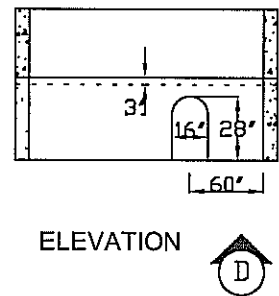
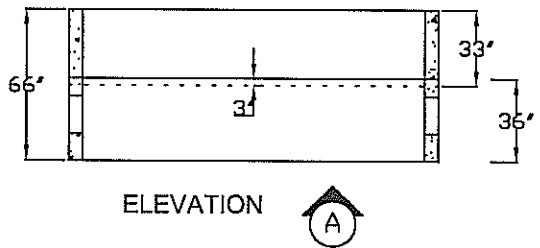
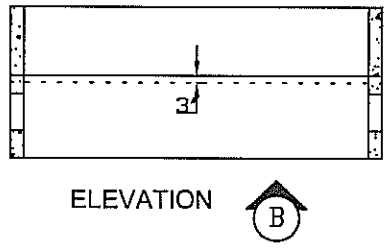
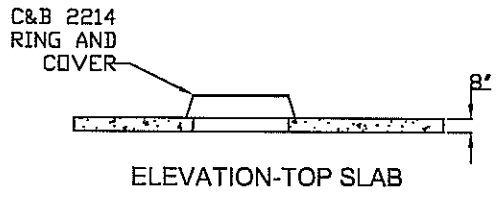
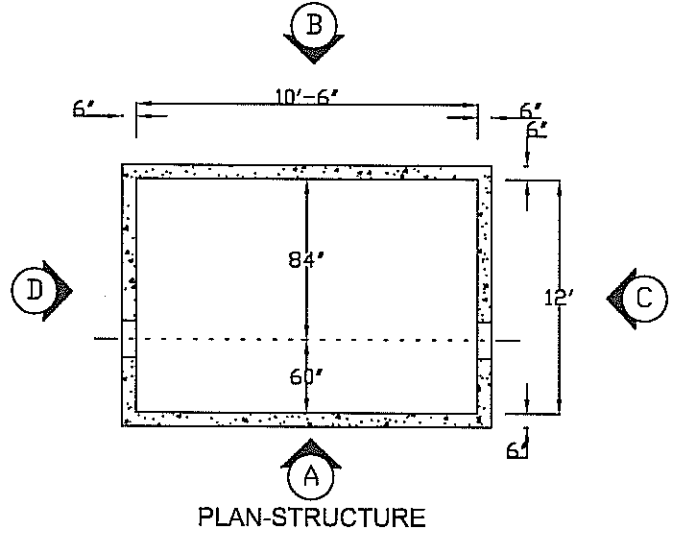
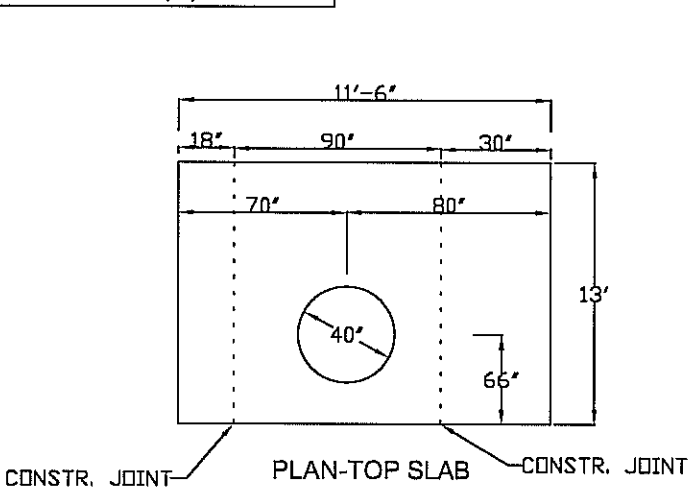
REBAR PLACEMENT
#5 @ 12" C/C EA. WAY WALLS
#5 @ 6" C/C EA. WAY TOP SLAB



WT. TOP SLAB 8424#
WT. STRUCTURE 17332#

REBAR PLACEMENT
#5 @ 12" C/C EA. WAY WALLS
#5 @ 6" C/C EA. WAY TOP SLAB

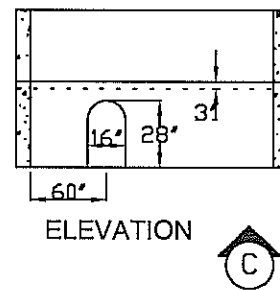
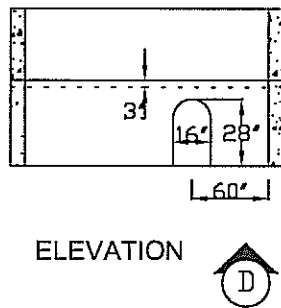
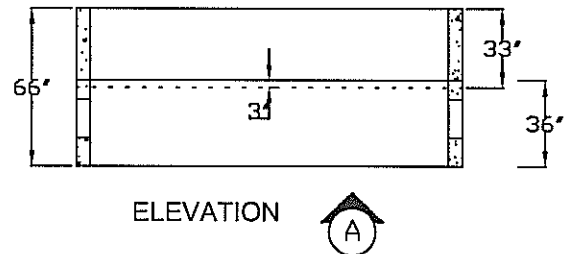
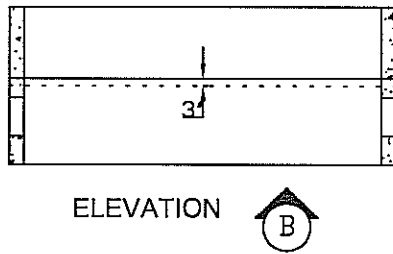
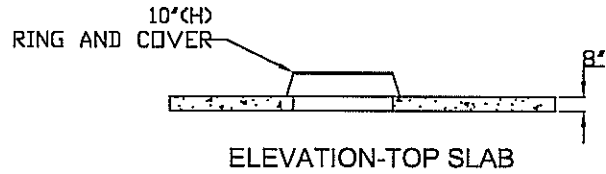
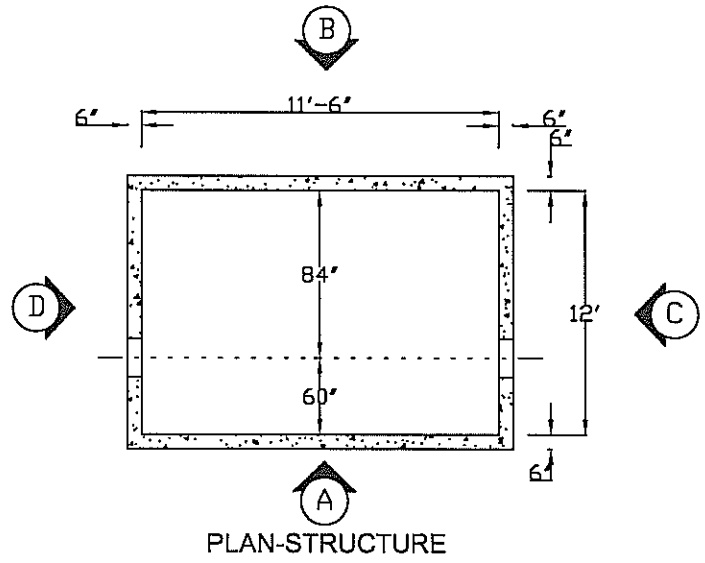
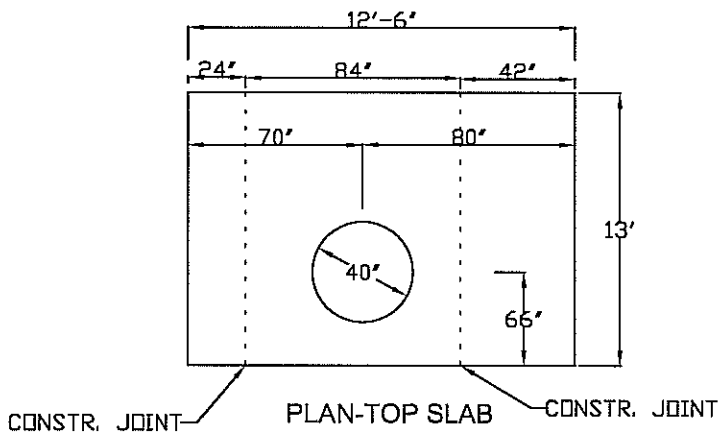
CONTRACTOR		PROJECT			
		4" FULL FLOW METER VAULT - KCMO.			
WT. TOP SLAB (L) 1894#	WT. TOP SECT 9770#	WT. MID SECT #####	WT. BOT SECT 10658#		
WT. TOP SLAB (M) 9472#					
WT. TOP SLAB (R) 4420#					



REBAR PLACEMENT
 #4 @ 12" C/C EA. WAY WALLS #5 @ 6" C/C EA. WAY TOP SLAB #4 @ 6" C/C EA. WAY BOT SLAB

RELIABLE CONCRETE PRODUCTS (913) 321-8108 615 SCOTT* KANSAS CITY, KANSAS 66119	STRUCTURE DESIGNATION 4" FULL FLOW VAULT	DATE 09/17/13
---	---	------------------

CONTRACTOR		PROJECT 6" FULL FLOW METER VAULT - KCMO			
WT. TOP SLAB (L) 1894#		WT. TOP SECT 9770#	WT. MID SECT #####	WT. BOT SECT 10658#	
WT. TOP SLAB (M) 9472#					
WT. TOP SLAB (R) 4420#					



REBAR PLACEMENT

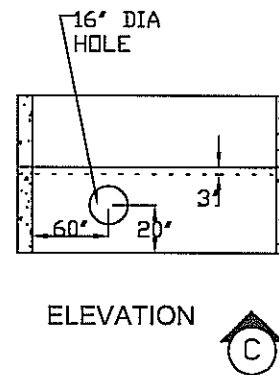
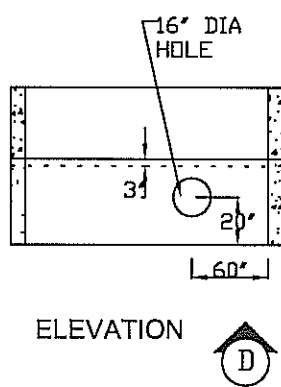
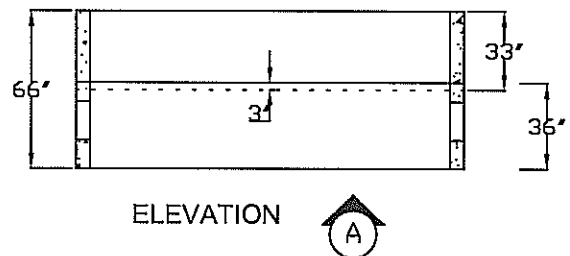
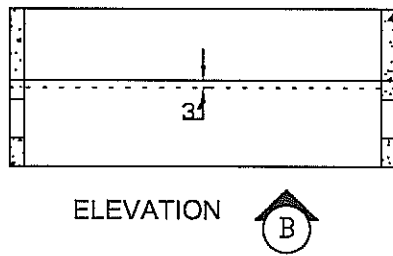
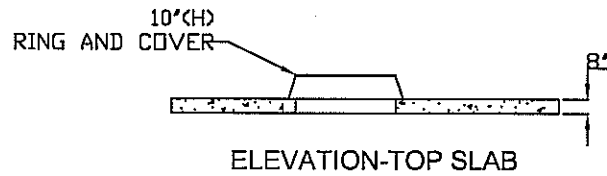
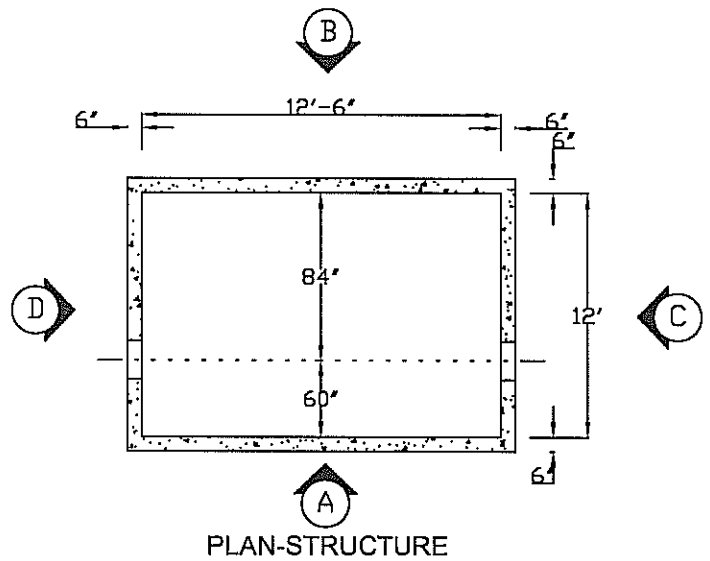
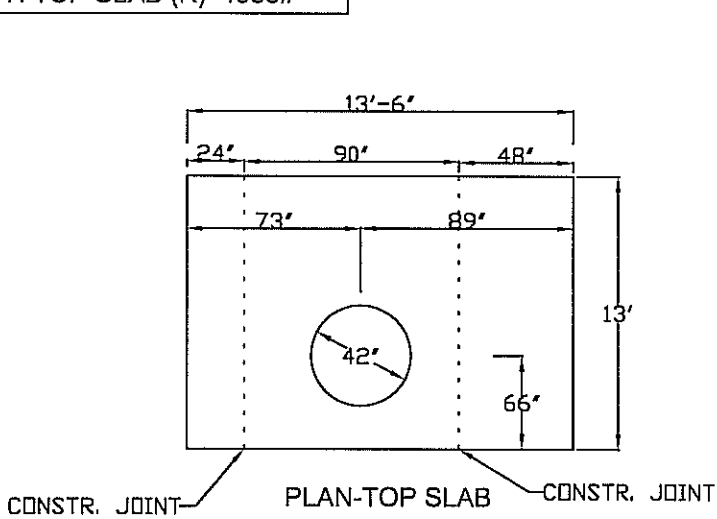
#4 @ 12" C/C EA. WAY WALLS #5 @ 6" C/C EA. WAY TOP SLAB #4 @ 6" C/C EA. WAY BOT SLAB

RELIABLE CONCRETE PRODUCTS (913) 321-8108
615 SCOTT* KANSAS CITY, KANSAS 66119

STRUCTURE DESIGNATION
6" FULL FLOW METER VAULT

DATE
09/17/13

CONTRACTOR		PROJECT			
		8" FULL FLOW METER VAULT - KCMO.			
WT. TOP SLAB (L) 2496#	WT. TOP SECT 10168#	WT. MID SECT #####	WT. BOT SECT 11093#		
WT. TOP SLAB (M) 8346#					
WT. TOP SLAB (R) 4953#					



REBAR PLACEMENT

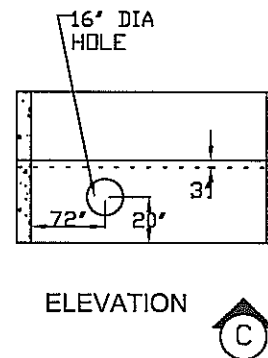
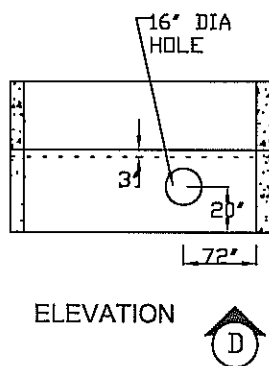
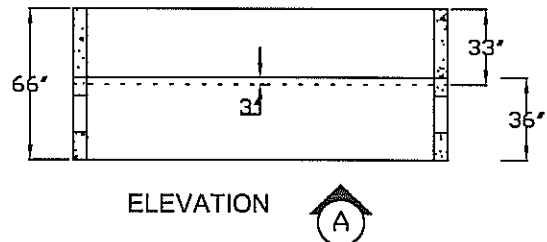
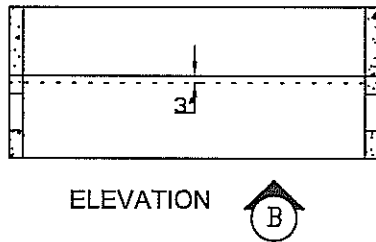
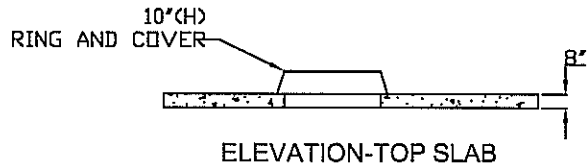
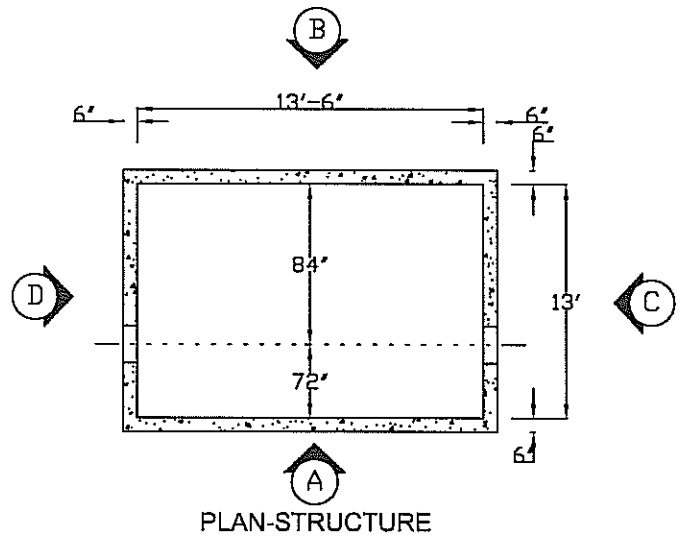
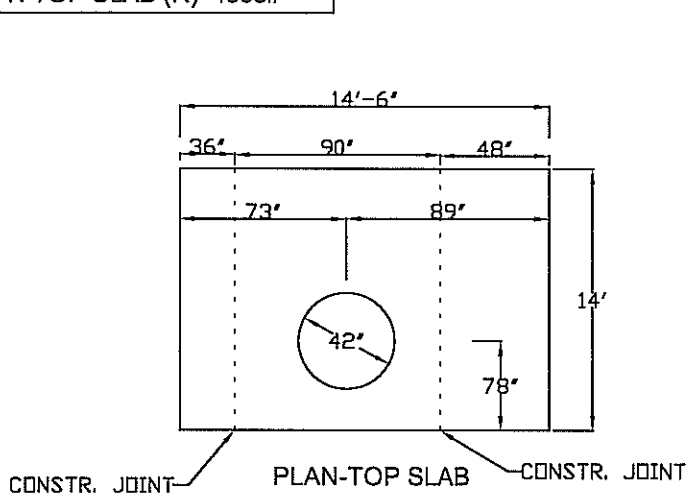
#4 @ 12" C/C EA. WAY WALLS #5 @ 6" C/C EA. WAY TOP SLAB #4 @ 6" C/C EA. WAY BOT SLAB

RELIABLE CONCRETE PRODUCTS (913) 321-8108
615 SCOTT* KANSAS CITY, KANSAS 66119

STRUCTURE DESIGNATION
8" FULL FLOW METER VAULT

DATE
09/17/13

CONTRACTOR		PROJECT			
		10" FULL FLOW METER VAULT - KCMO.			
WT. TOP SLAB (L) 2496#	WT. TOP SECT	10168#	WT. MID SECT	#####	WT. BOT SECT 11093#
WT. TOP SLAB (M) 8346#					
WT. TOP SLAB (R) 4953#					



REBAR PLACEMENT

#4 @ 12" C/C EA. WAY WALLS #5 @ 6" C/C EA. WAY TOP SLAB #4 @ 6" C/C EA. WAY BOT SLAB

RELIABLE CONCRETE PRODUCTS (913) 321-8108 615 SCOTT* KANSAS CITY, KANSAS 66119	STRUCTURE DESIGNATION 10" FULL FLOW METER VAULT	DATE 09/17/13
---	--	------------------