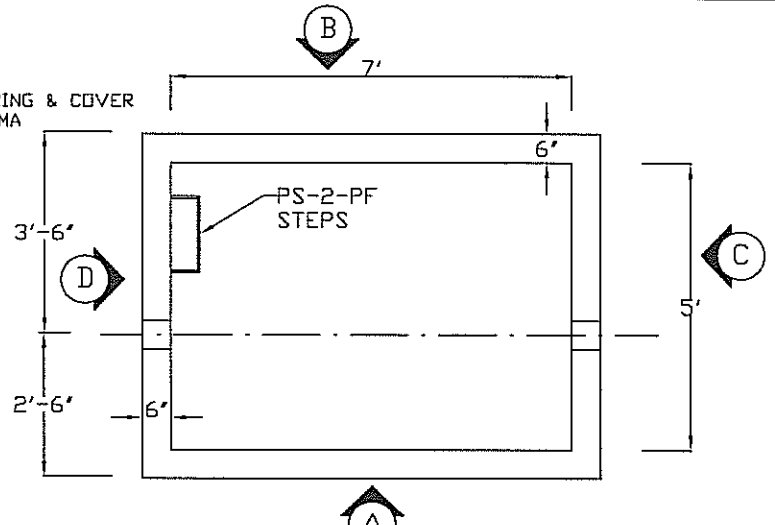


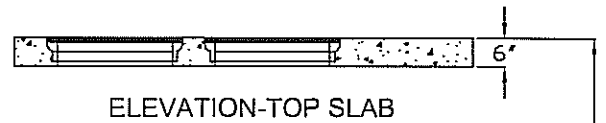
PLAN-TOP SLAB



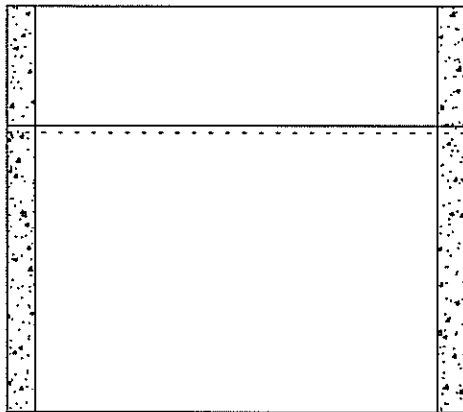
PLAN-STRUCTURE

REBAR PLACEMENT

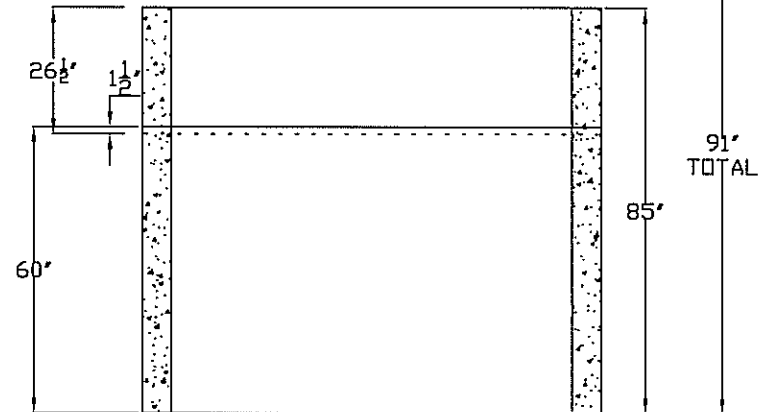
- #4 @ 12" C/C EA. WAY WALLS
- #5 @ 6" C/C EA. WAY TOP SLAB
- #5 @ 12" C/C EA. WAY BOT SLAB



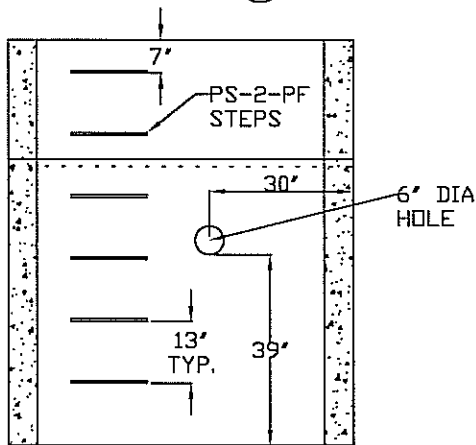
ELEVATION-TOP SLAB



ELEVATION



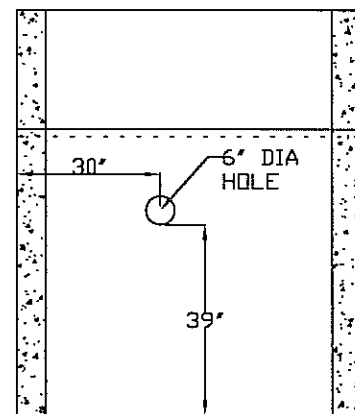
ELEVATION



ELEVATION

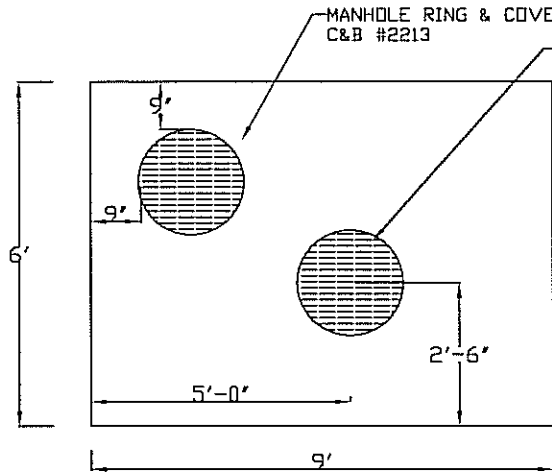


WT. TOP SLAB 3480#
 WT. TOP SECT. 4162#
 WT. BOT SECT. 9425#

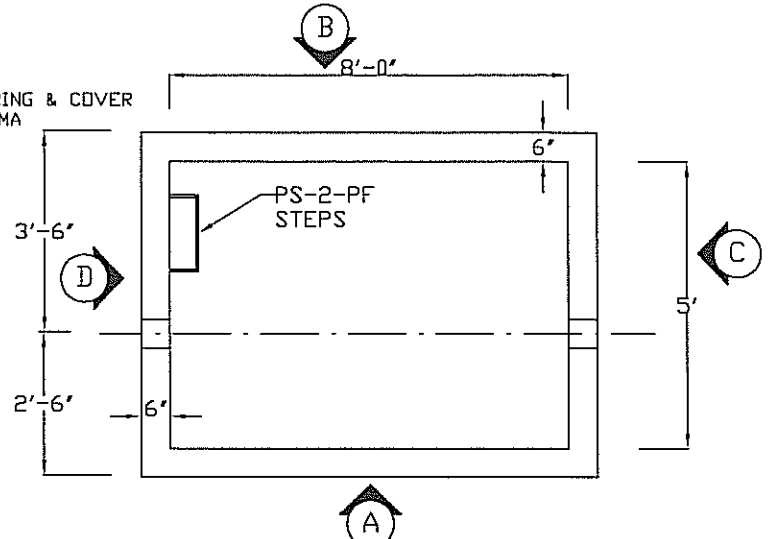


ELEVATION





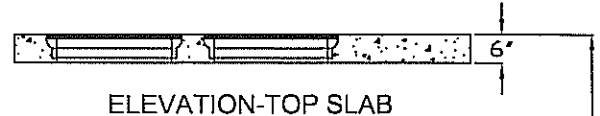
PLAN-TOP SLAB



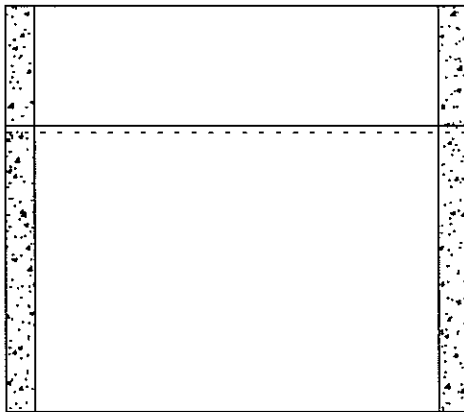
PLAN-STRUCTURE

REBAR PLACEMENT

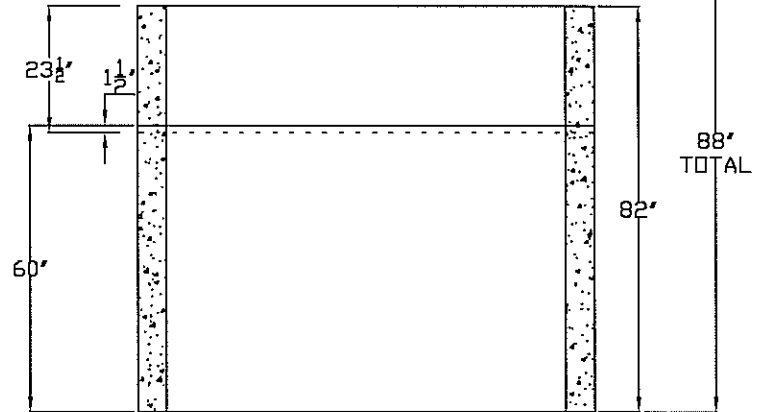
- #4 @ 12" C/C EA. WAY WALLS
- #5 @ 6" C/C EA. WAY TOP SLAB
- #5 @ 12" C/C EA. WAY BOT SLAB



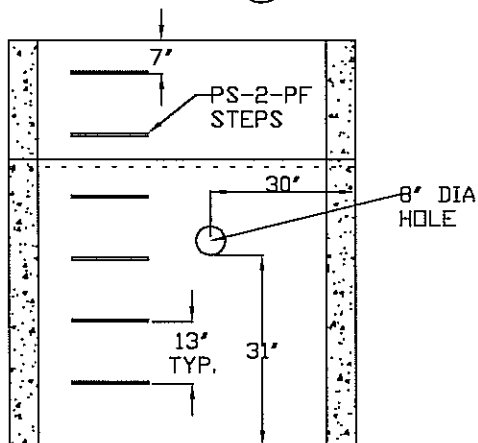
ELEVATION-TOP SLAB



ELEVATION

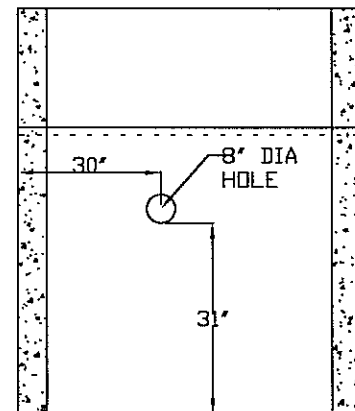


ELEVATION

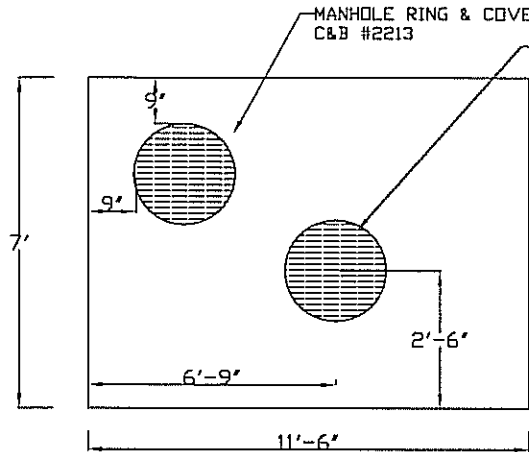


ELEVATION

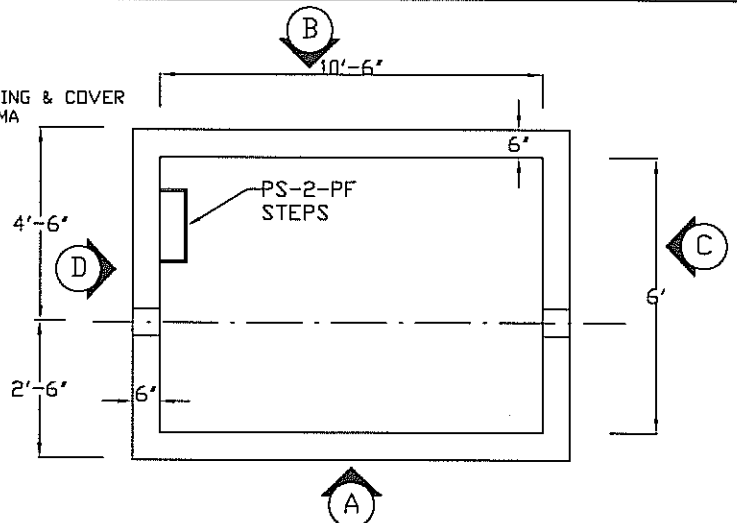
WT. TOP SLAB 3915#
 WT. TOP SECT. 3975#
 WT. BOT SECT. 10150#



ELEVATION



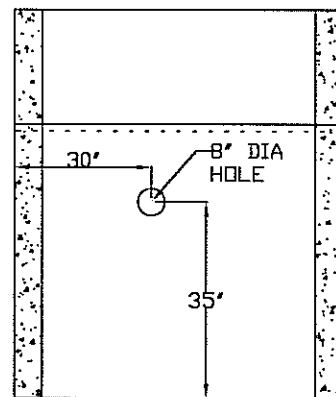
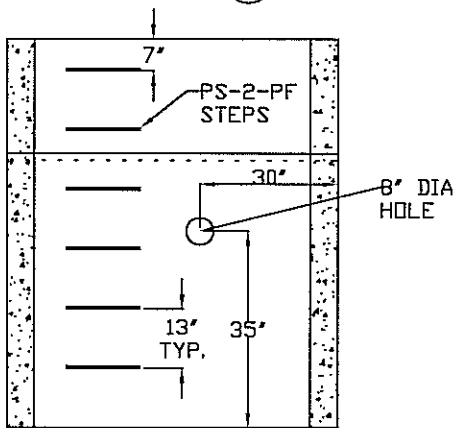
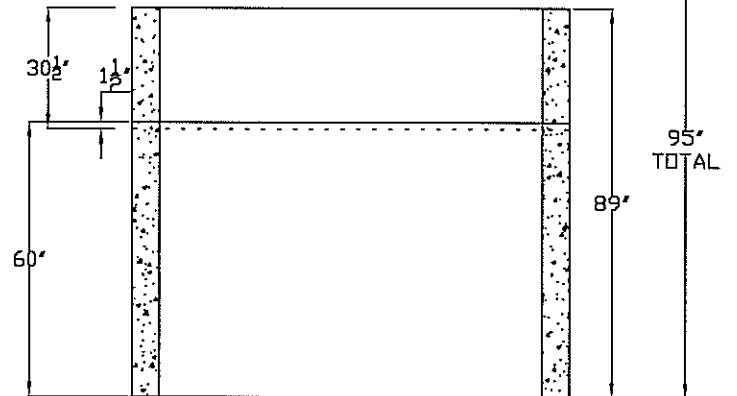
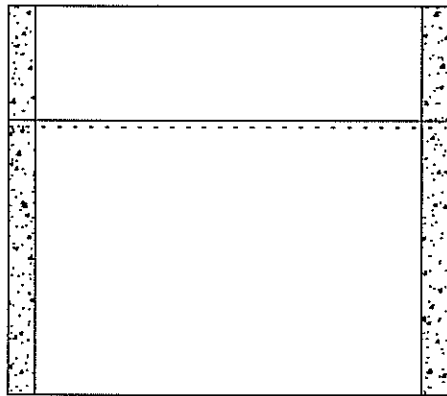
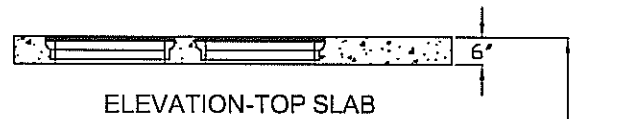
PLAN-TOP SLAB



PLAN-STRUCTURE

REBAR PLACEMENT

- #4 @ 12" C/C EA. WAY WALLS
- #5 @ 6" C/C EA. WAY TOP SLAB
- #5 @ 12" C/C EA. WAY BOT SLAB



WT. TOP SLAB 5836#
WT. TOP SECT. 6449#
WT. BOT SECT. 12688#