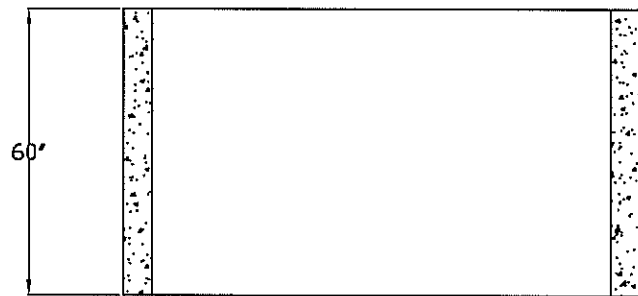
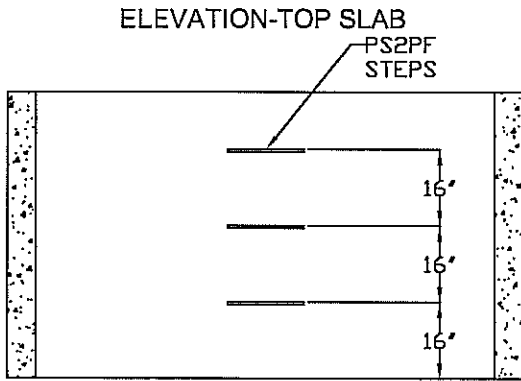
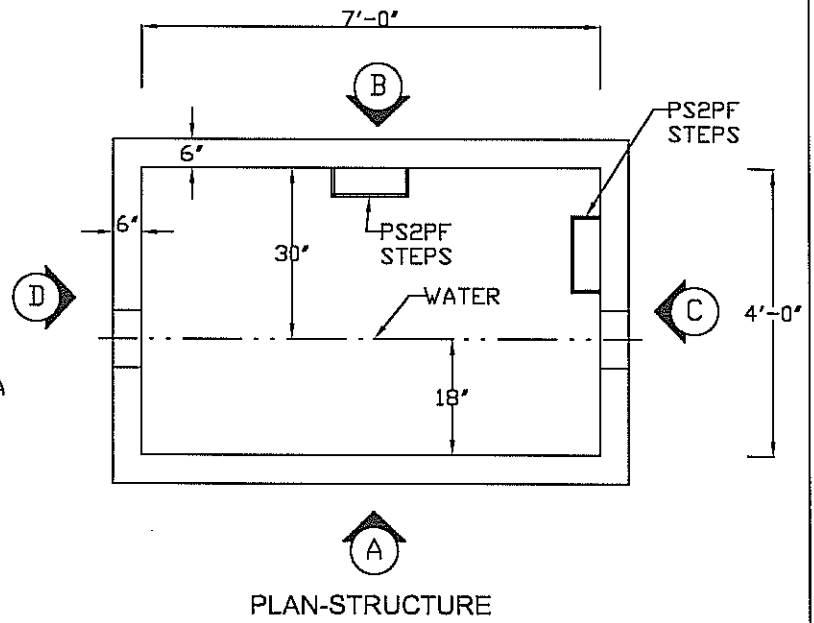
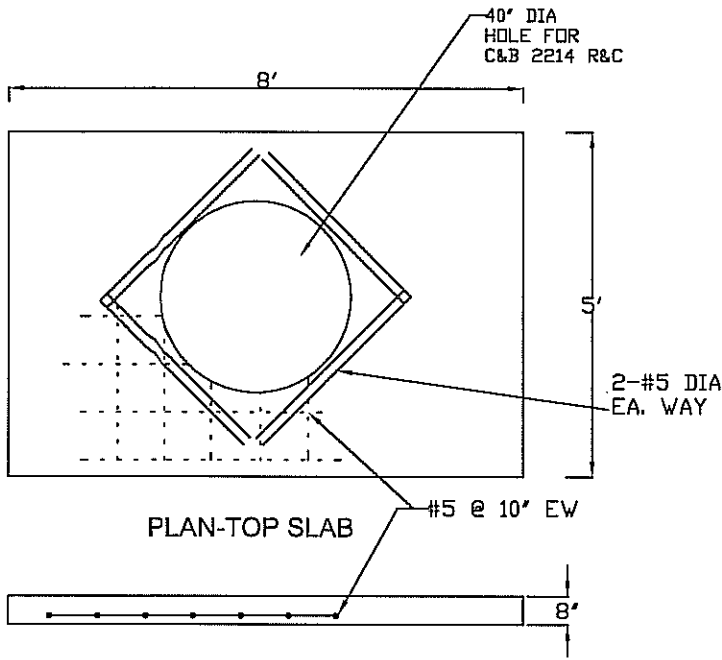


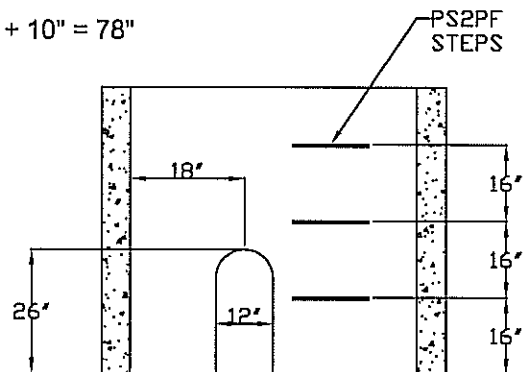
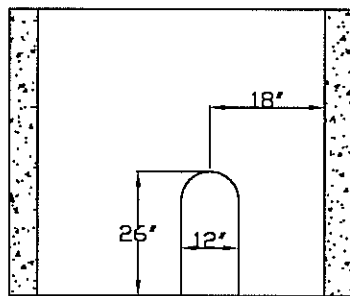
3" BACKFLOW VAULT - KCMO



ELEVATION B

ELEVATION A

WT. TOP SLAB 3886#  
 WT. STRUCTURE 8700#  
 TOTAL HEIGHT 60" + 8" + 10" = 78"

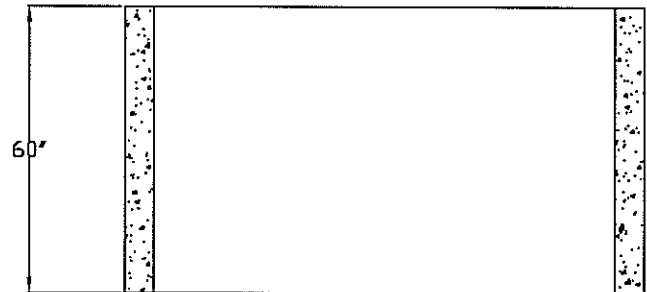
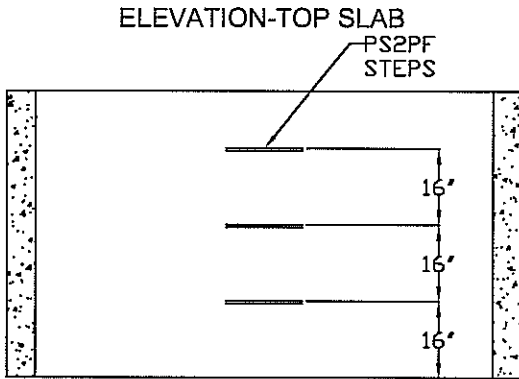
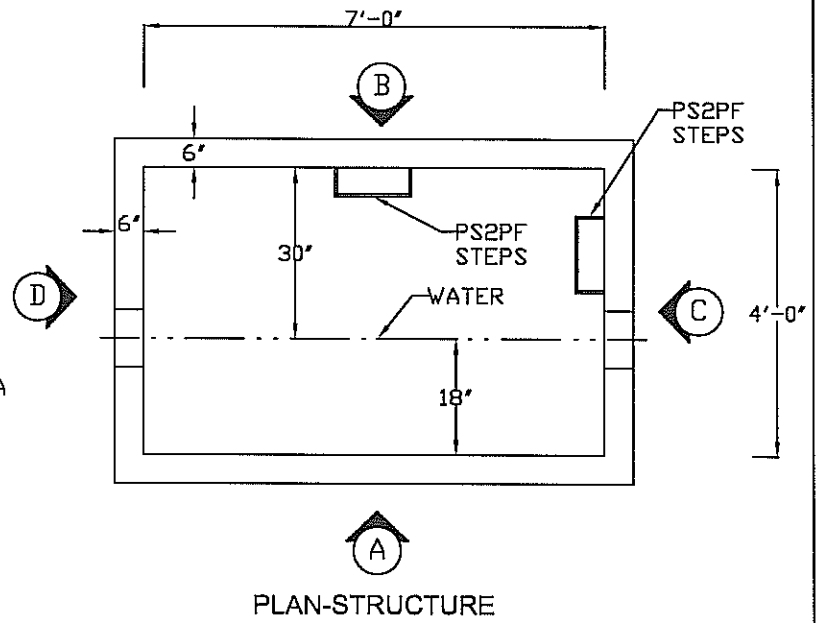
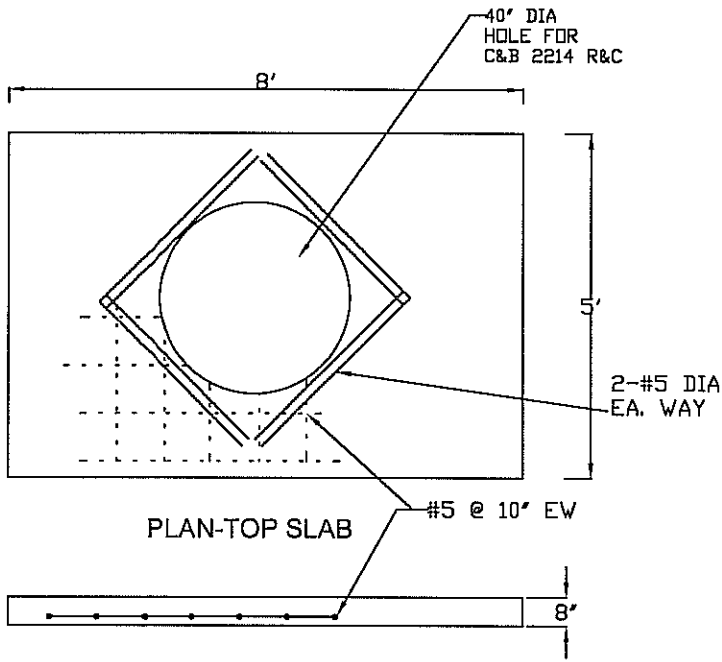


ELEVATION D

ELEVATION C

REBAR PLACEMENT  
 #5 @ 10" C/C EA. WAY WALLS  
 #5 @ 10" C/C EA. WAY TOP SLAB

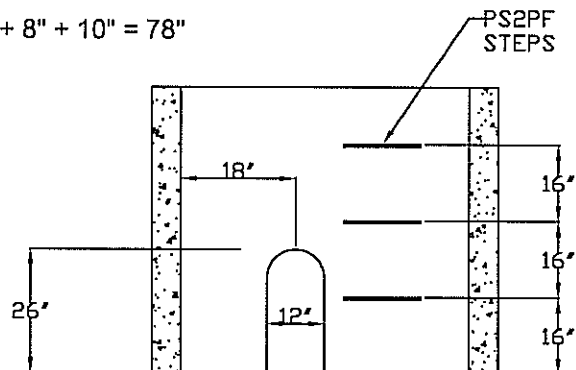
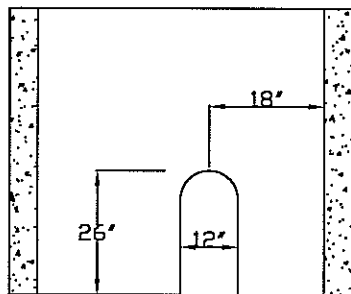
4" BACKFLOW VAULT - KCMO



ELEVATION B

ELEVATION A

WT. TOP SLAB 3886#  
 WT. STRUCTURE 8700#  
 TOTAL HEIGHT 60" + 8" + 10" = 78"

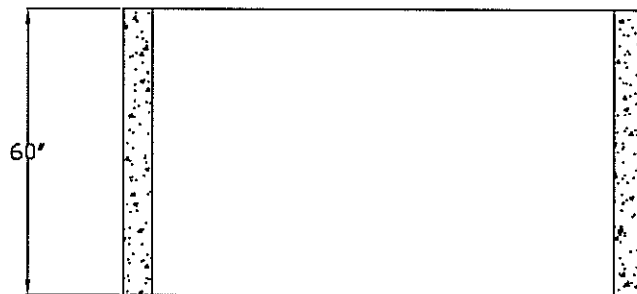
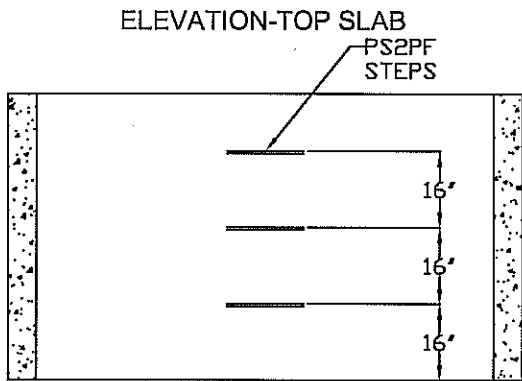
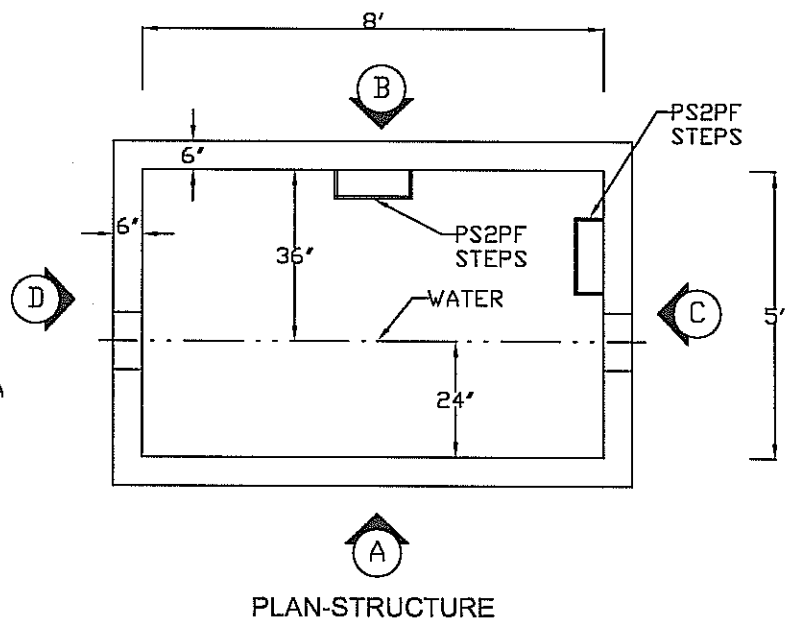
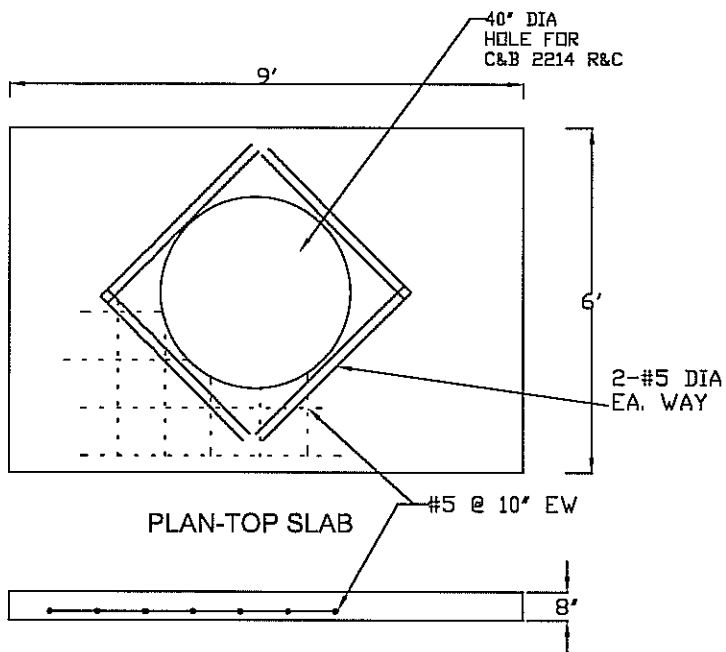


ELEVATION D

ELEVATION C

REBAR PLACEMENT  
 #5 @ 10" C/C EA. WAY WALLS  
 #5 @ 10" C/C EA. WAY TOP SLAB

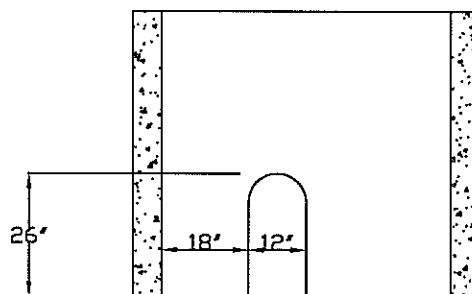
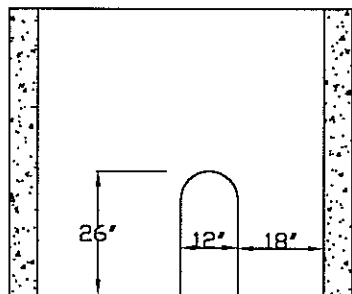
6" BACKFLOW VAULT - KCMO



ELEVATION B

ELEVATION A

WT. TOP SLAB 5246#  
 WT. STRUCTURE 10150#  
 TOTAL HEIGHT 60" + 8" + 10" = 78"



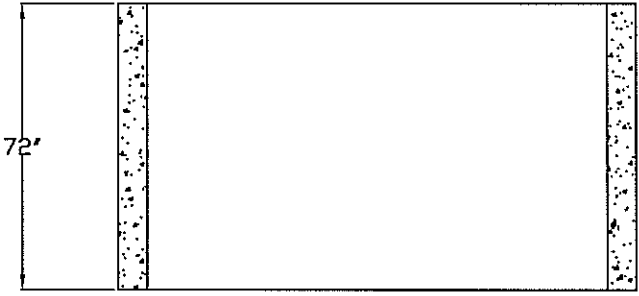
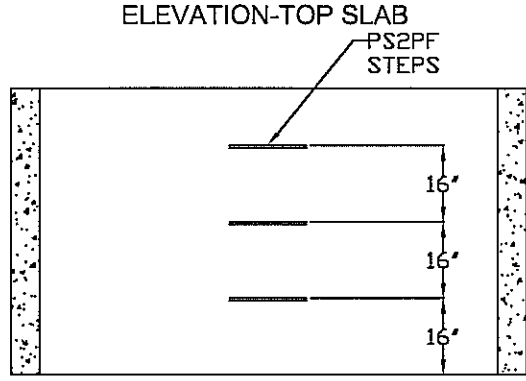
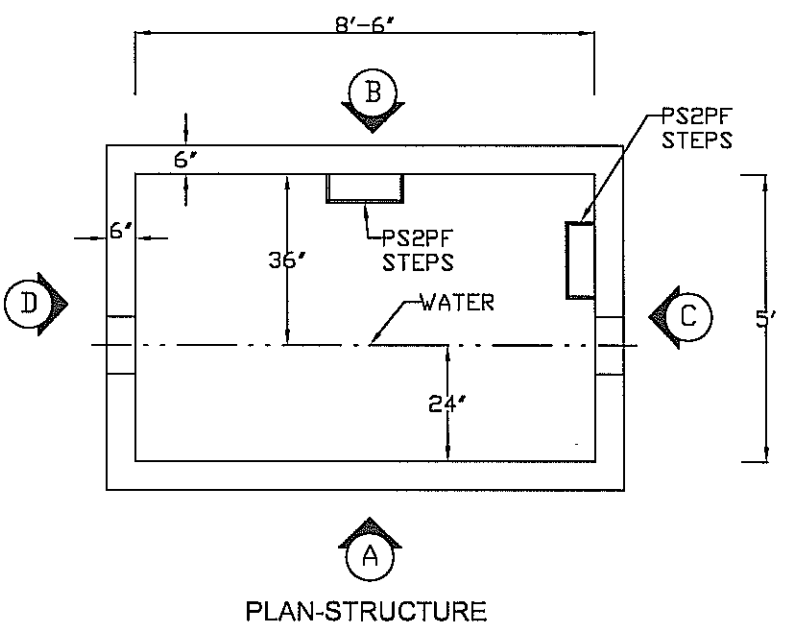
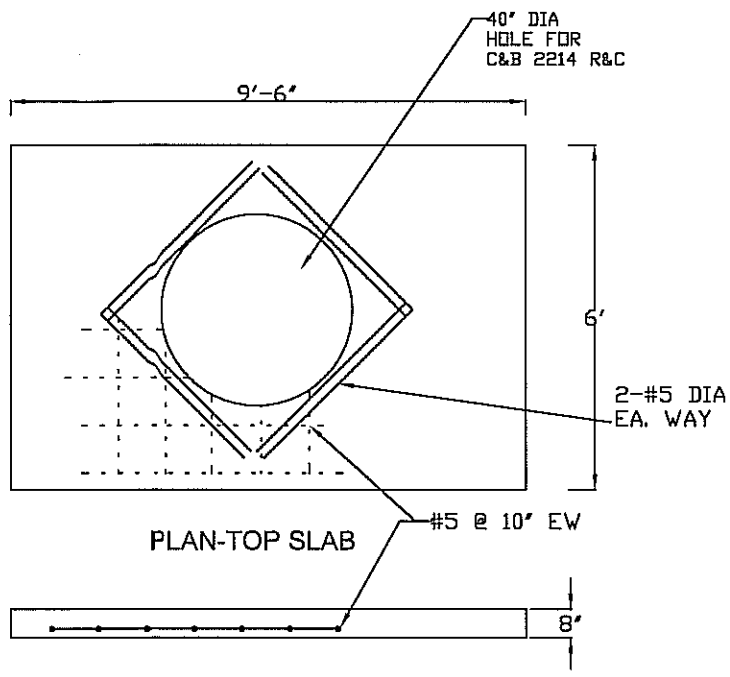
ELEVATION D

ELEVATION C

REBAR PLACEMENT  
 #5 @ 10" C/C EA. WAY WALLS  
 #5 @ 10" C/C EA. WAY TOP SLAB

CONTRACTOR

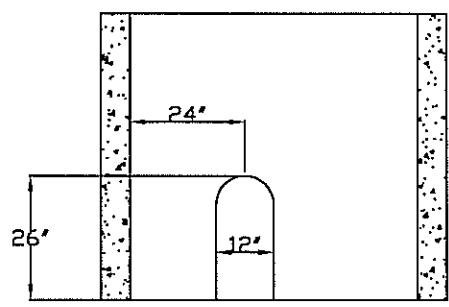
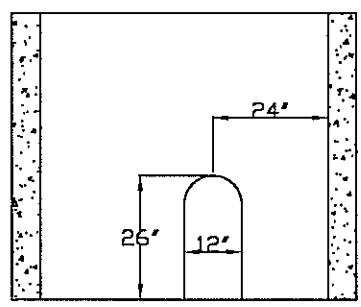
PROJECT 8" BACKFLOW VAULT - KCMO



ELEVATION B

ELEVATION A

WT. TOP SLAB 5337#  
 WT. STRUCTURE 12615#  
 TOTAL HEIGHT 72" + 8" + 10" = 90"

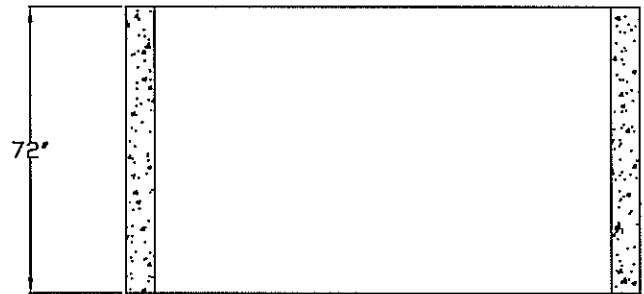
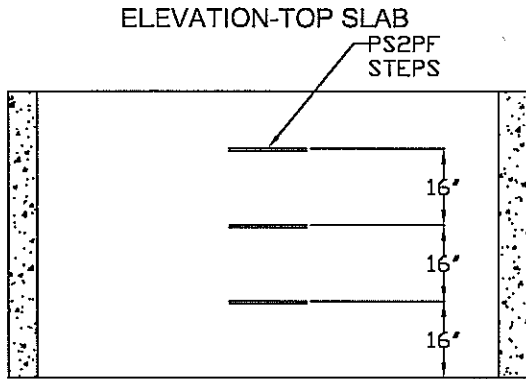
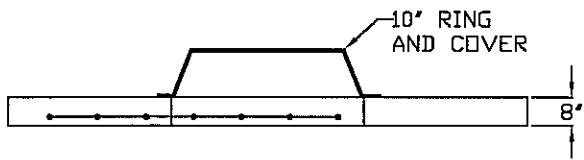
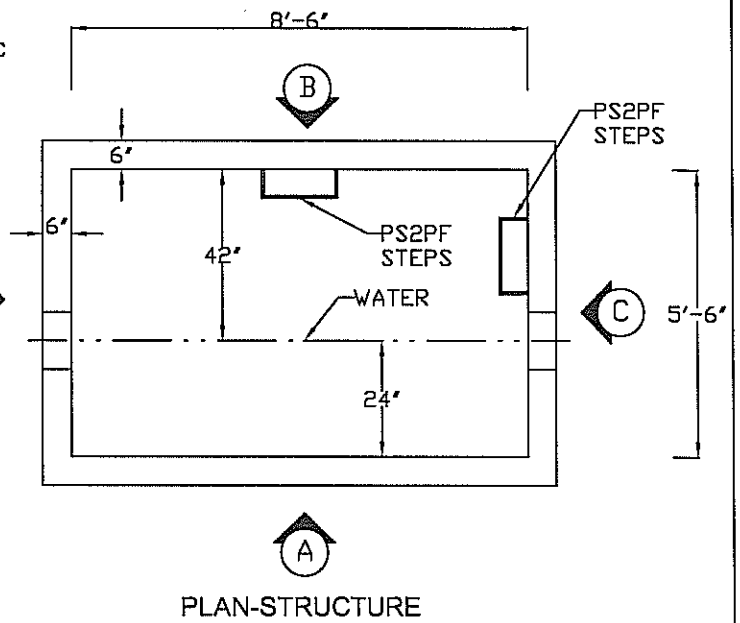
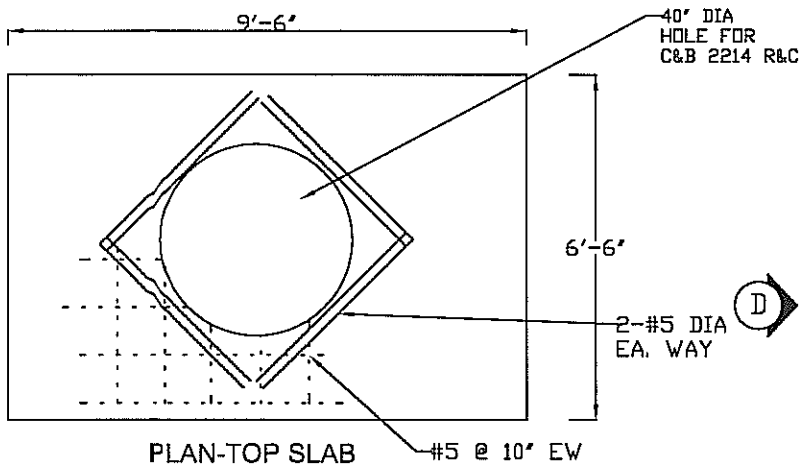


ELEVATION D

ELEVATION C

REBAR PLACEMENT  
 #5 @ 10" C/C EA. WAY WALLS  
 #5 @ 10" C/C EA. WAY TOP SLAB

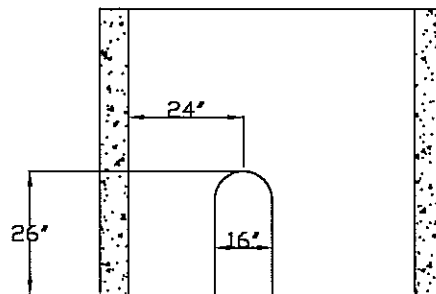
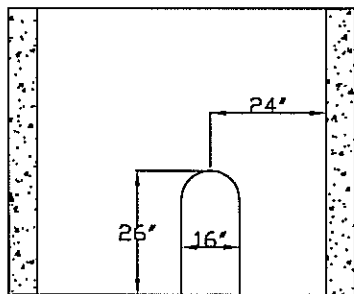
10" BACKFLOW VAULT - KCMO



ELEVATION B

ELEVATION A

WT. TOP SLAB 5537#  
 WT. STRUCTURE 13050#  
 TOTAL HEIGHT 72" + 8" + 10" = 90"



ELEVATION D

ELEVATION C

REBAR PLACEMENT  
 #5 @ 10" C/C EA. WAY WALLS  
 #5 @ 10" C/C EA. WAY TOP SLAB