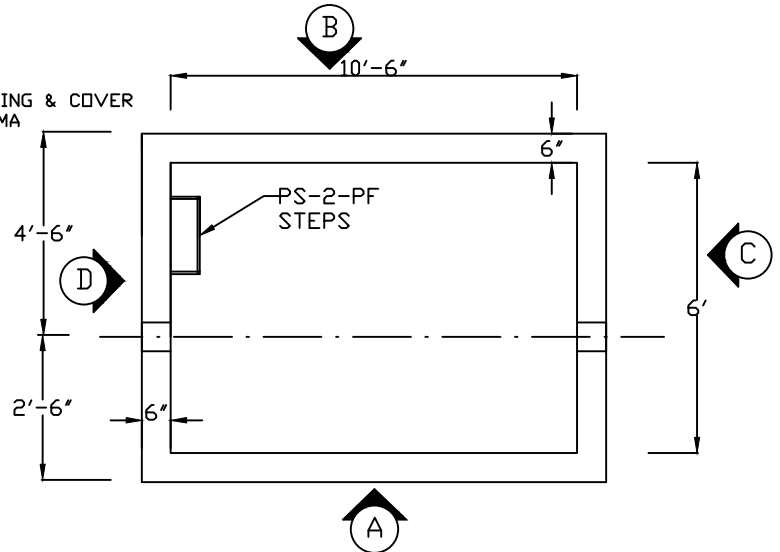


PLAN-TOP SLAB



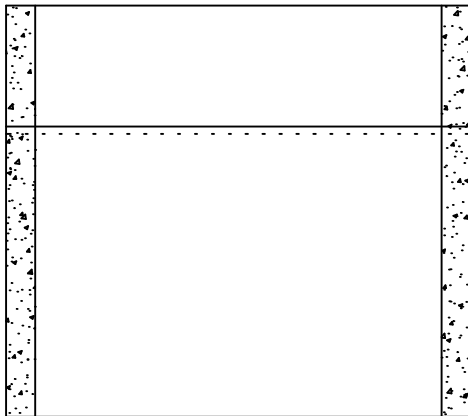
PLAN-STRUCTURE

REBAR PLACEMENT

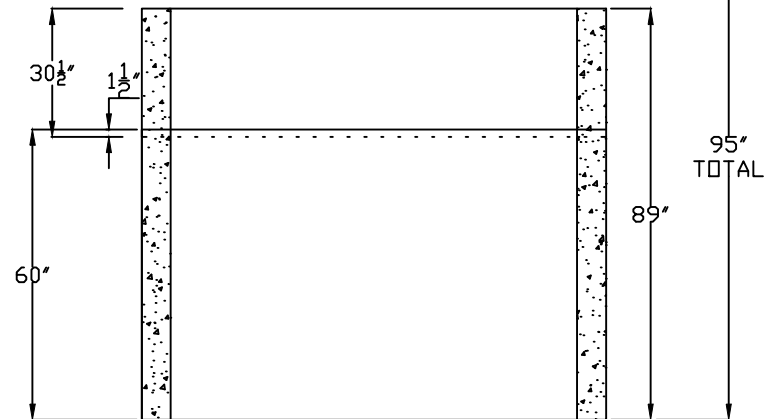
- #4 @ 12" C/C EA. WAY WALLS
- #5 @ 6" C/C EA. WAY TOP SLAB
- #5 @ 12" C/C EA. WAY BOT SLAB



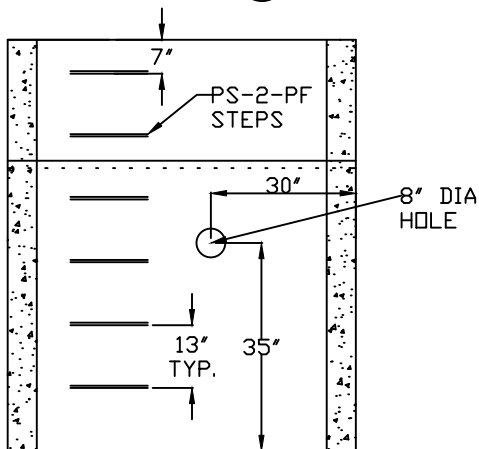
ELEVATION-TOP SLAB



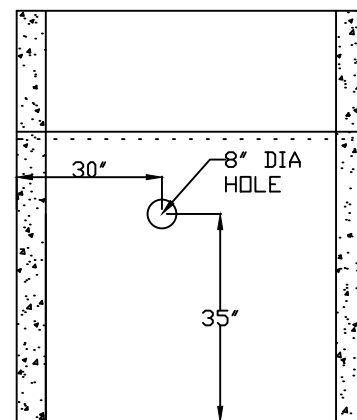
ELEVATION B



ELEVATION A



ELEVATION D



ELEVATION C

WT. TOP SLAB 5836#
 WT. TOP SECT. 6449#
 WT. BOT SECT. 12688#