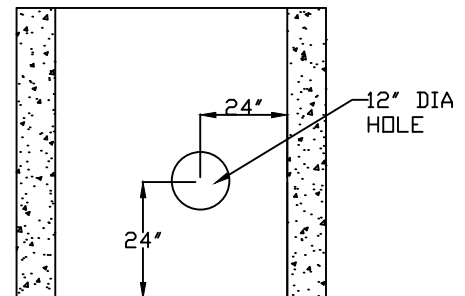
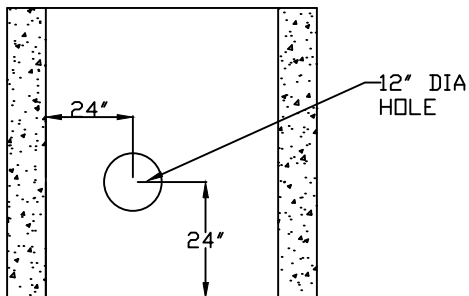
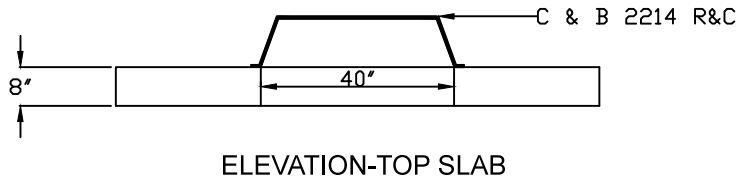
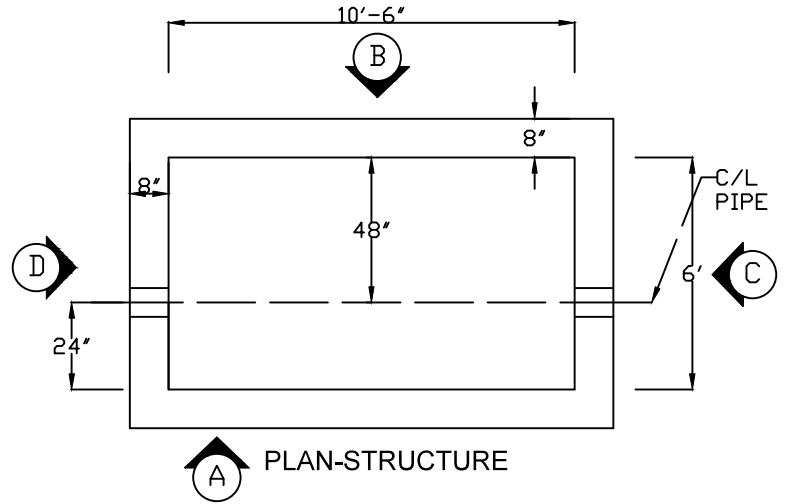
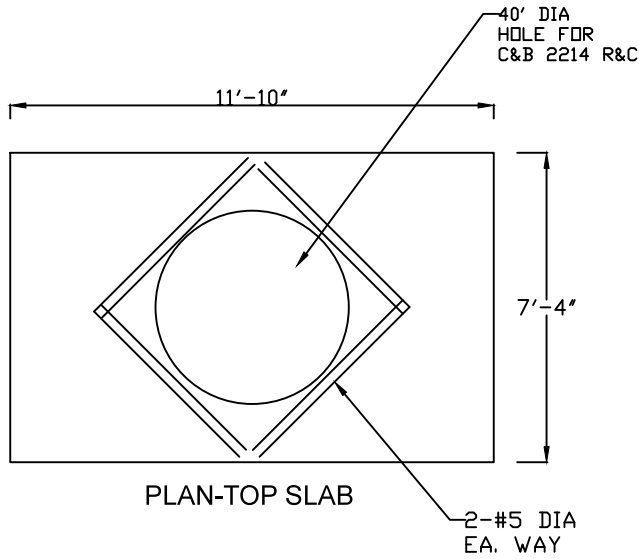


CONTRACTOR

PROJECT

# 6" METER PIT AND SETTING WITH BY-PASS KCMO



WT. TOP SLAB 8424#  
 WT. STRUCTURE 17332#

REBAR PLACEMENT  
 #5 @ 12" C/C EA. WAY WALLS  
 #5 @ 6" C/C EA. WAY TOP SLAB