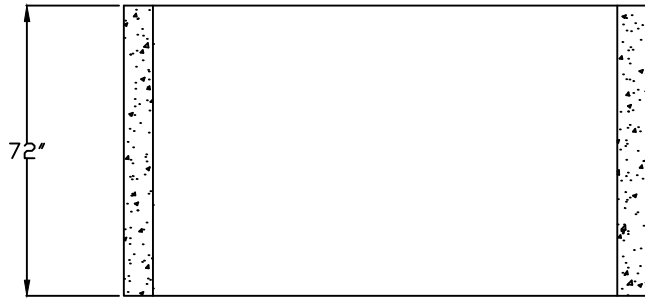
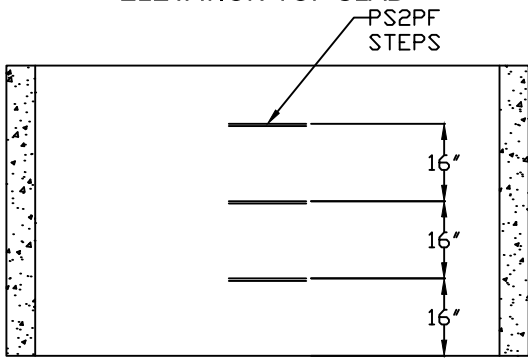
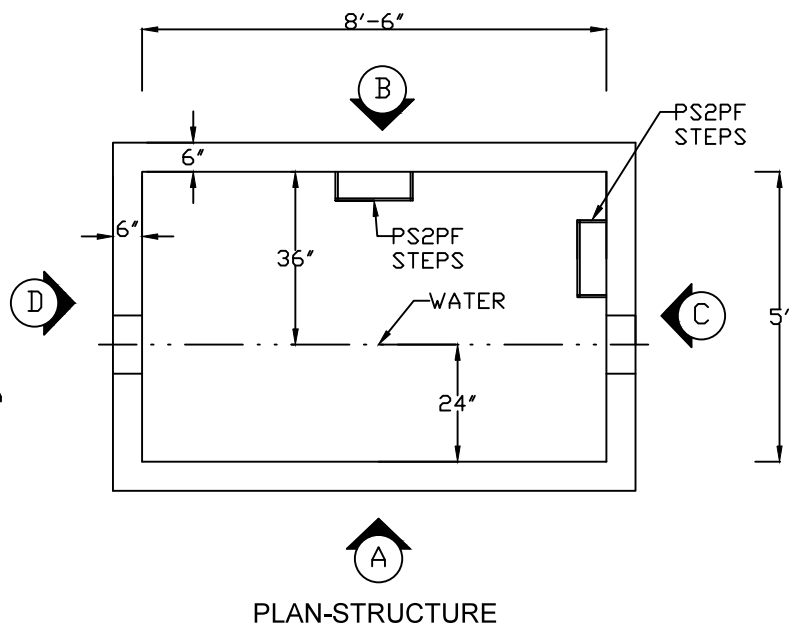
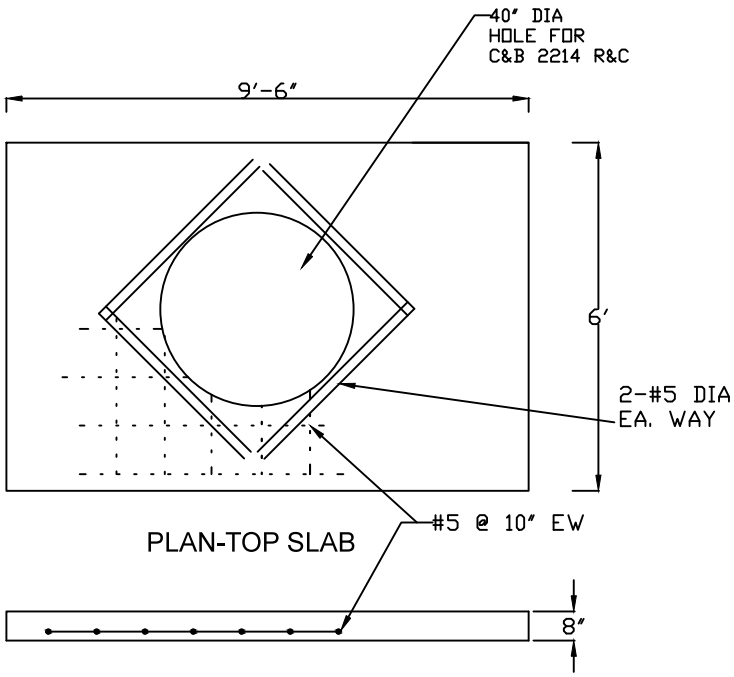


CONTRACTOR

PROJECT

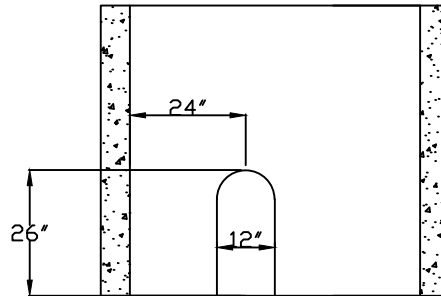
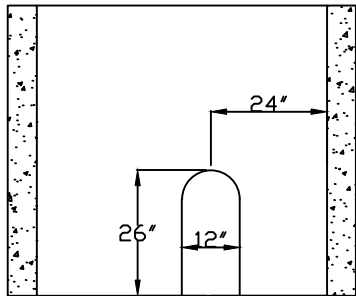
# 8" BACKFLOW VAULT - KCMO



ELEVATION

ELEVATION

WT. TOP SLAB 5337#  
 WT. STRUCTURE 12615#  
 TOTAL HEIGHT 72" + 8" + 10" = 90"



ELEVATION

ELEVATION

REBAR PLACEMENT  
 #5 @ 10" C/C EA. WAY WALLS  
 #5 @ 10" C/C EA. WAY TOP SLAB