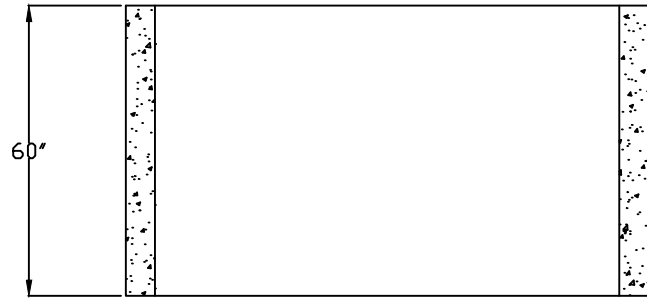
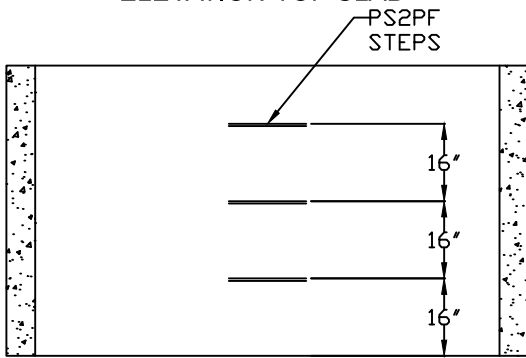
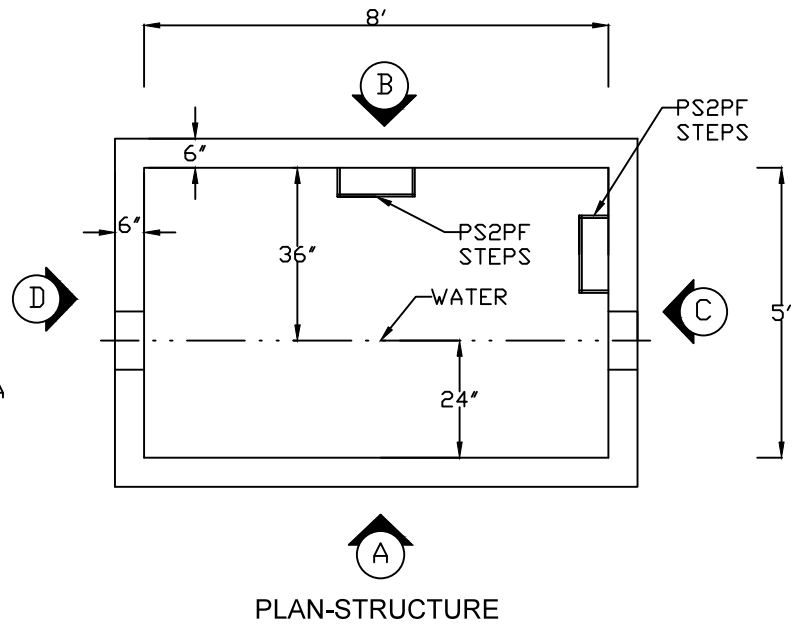
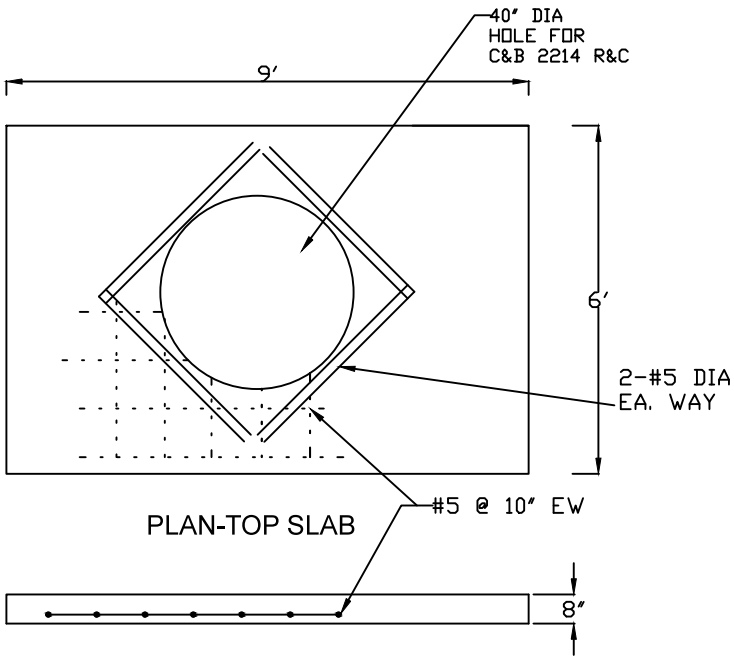


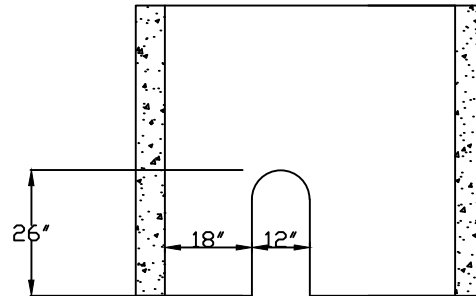
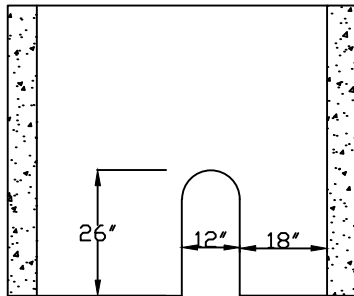
6" BACKFLOW VAULT - KCMO



ELEVATION

ELEVATION

WT. TOP SLAB 5246#  
 WT. STRUCTURE 10150#  
 TOTAL HEIGHT 60" + 8" + 10" = 78"



ELEVATION

ELEVATION

REBAR PLACEMENT  
 #5 @ 10" C/C EA. WAY WALLS  
 #5 @ 10" C/C EA. WAY TOP SLAB