

CONTRACTOR

PROJECT
4" FULL FLOW METER VAULT - KCMO.

WT. TOP SLAB (L) 1894#

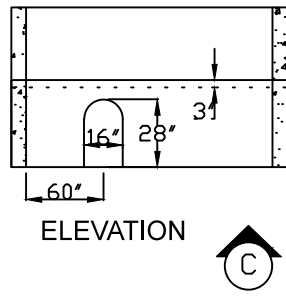
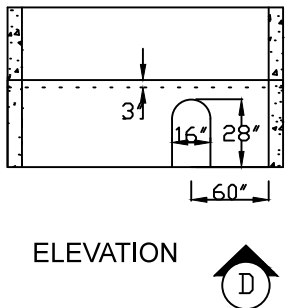
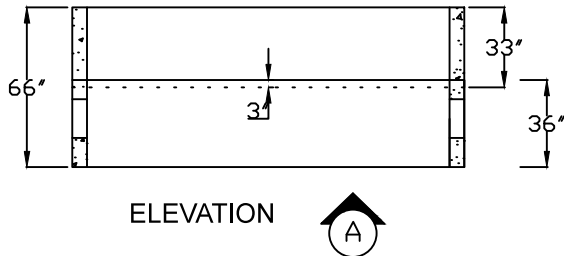
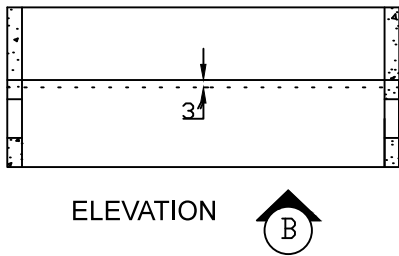
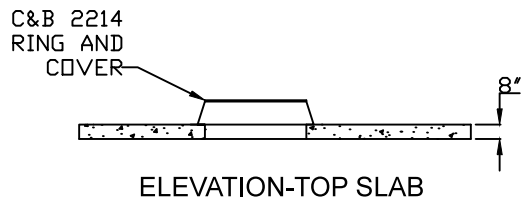
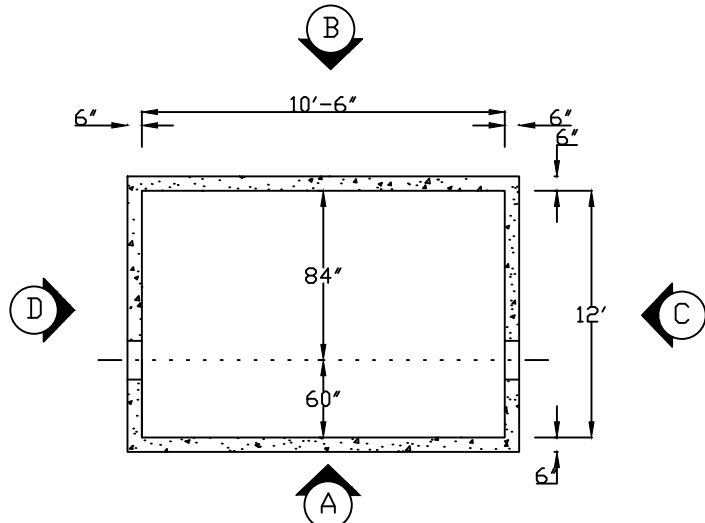
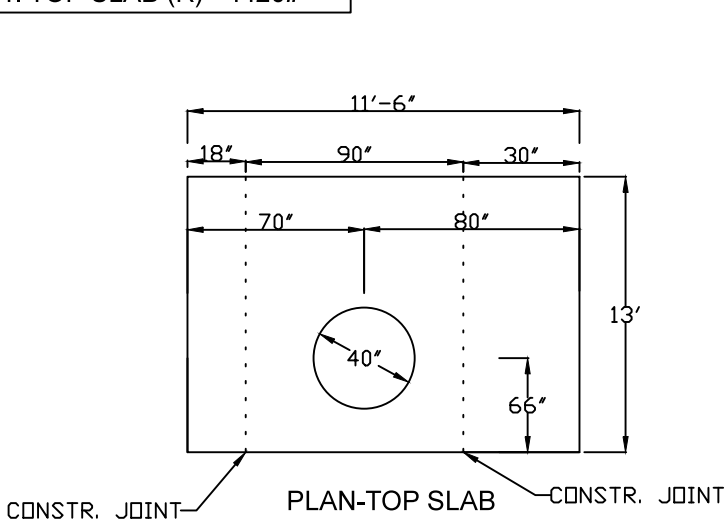
WT. TOP SECT 9770#

WT. MID SECT #####

WT. BOT SECT 10658#

WT. TOP SLAB (M) 9472#

WT. TOP SLAB (R) 4420#



REBAR PLACEMENT

#4 @ 12" C/C EA. WAY WALLS

#5 @ 6" C/C EA. WAY TOP SLAB

#4 @ 6" C/C EA. WAY BOT SLAB

RELIABLE CONCRETE PRODUCTS (913) 321-8108
615 SCOTT* KANSAS CITY, KANSAS 66119

STRUCTURE DESIGNATION
4" FULL FLOW VAULT

DATE
09/17/13