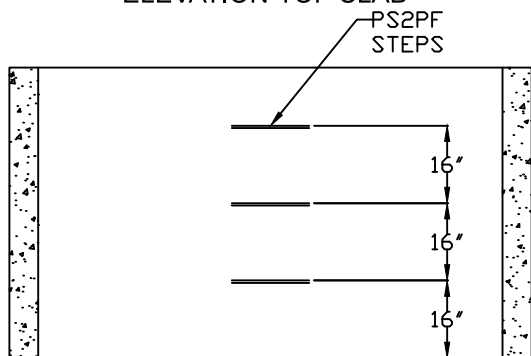
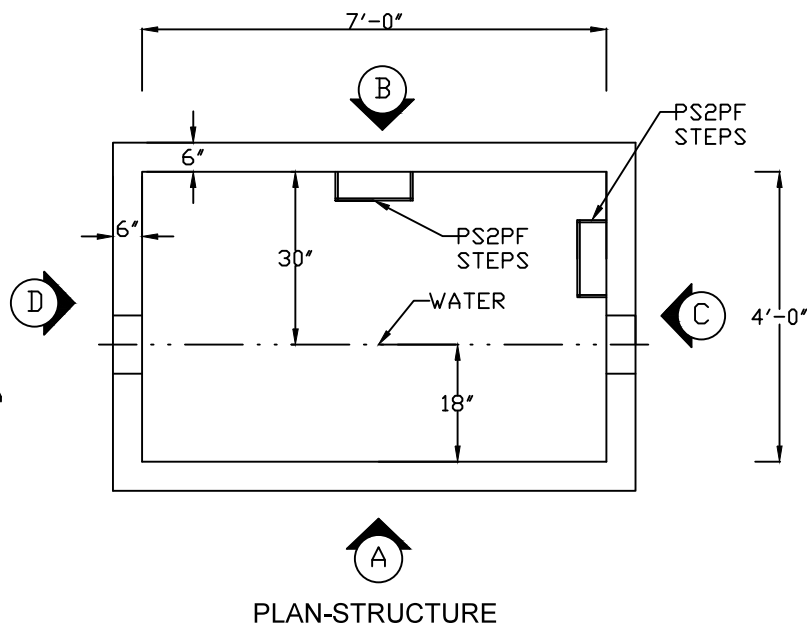
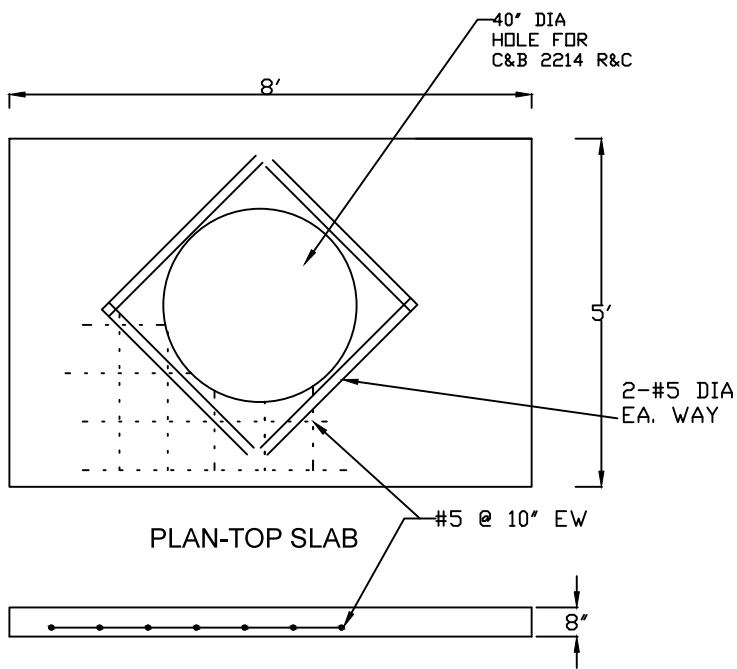


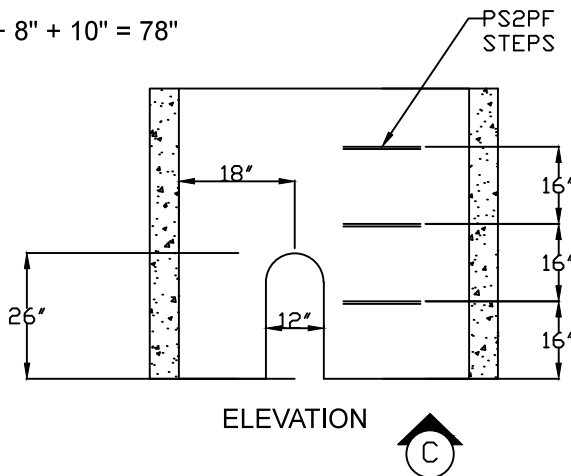
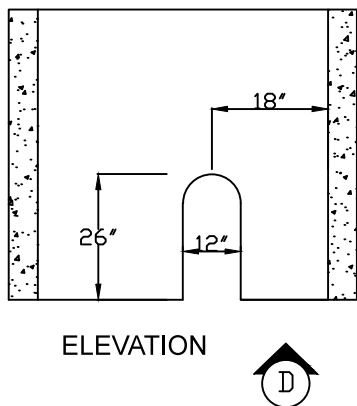
4" BACKFLOW VAULT - KCMO



ELEVATION

ELEVATION

WT. TOP SLAB 3886#
 WT. STRUCTURE 8700#
 TOTAL HEIGHT 60" + 8" + 10" = 78"



REBAR PLACEMENT
 #5 @ 10" C/C EA. WAY WALLS
 #5 @ 10" C/C EA. WAY TOP SLAB