

| | | | | | |
|--------------|-------|--|-------|--------------|--------|
| CONTRACTOR | | PROJECT | | | |
| | | 500 GAL SAND AND OIL OR GREASE INTERCEPTOR | | | |
| WT. TOP SLAB | 4371# | WT. TOP SECT | ##### | WT. MID SECT | ##### |
| | | | | WT. BOT SECT | 12488# |

PLAN-TOP SLAB

ELEVATION-TOP SLAB

D-1320 PLAIN RING AND COVER

PLAN-STRUCTURE

ELEVATION B

ELEVATION A

4" PSX BOOT CAST IN

ELEVATION D

ELEVATION C

4" PSX BOOT CAST IN

water stop

3" TYP

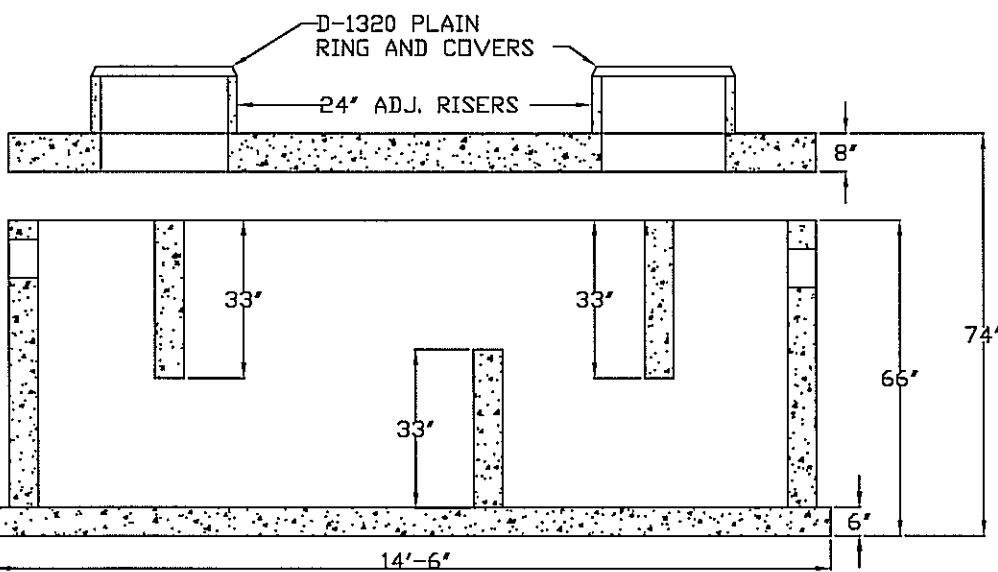
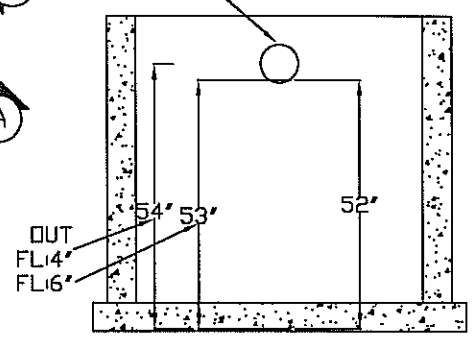
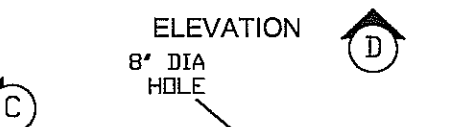
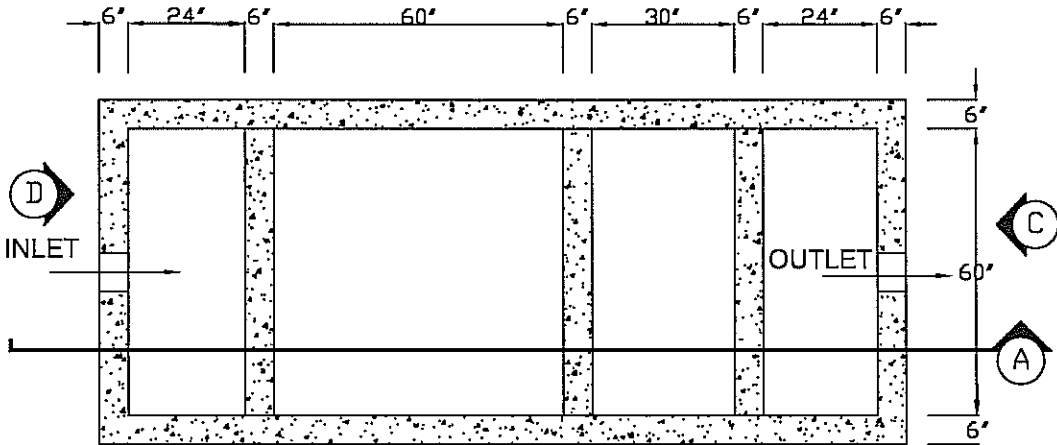
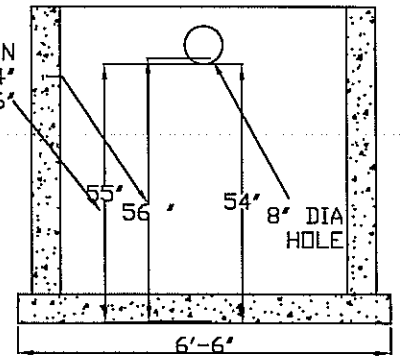
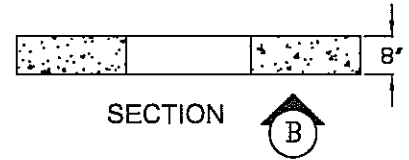
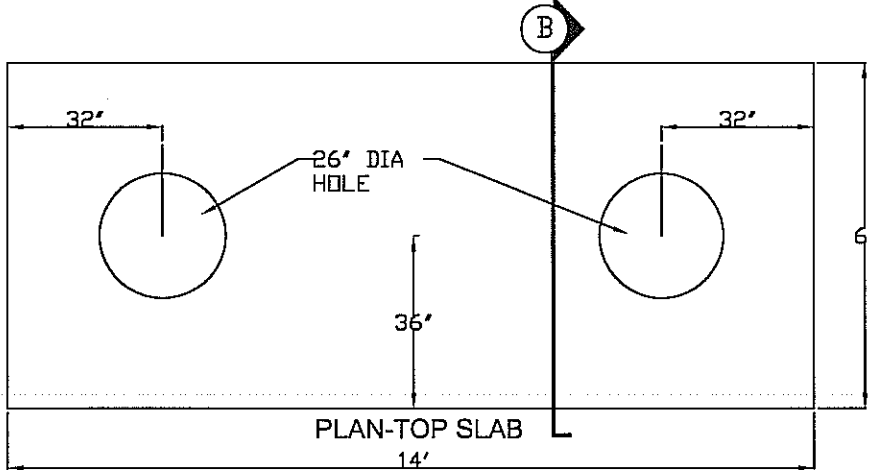
BY REVIEWING AND INITIALING EACH SHOP DRAWING, THE CONTRACTOR IS RESPONSIBLE FOR CONFIRMING AND CORRELATING ALL QUANTITIES AND DIMENSIONS OF ALL STRUCTURES ASSOCIATED WITH THIS PROJECT.

| | | |
|---|---|------------------|
| RELIABLE CONCRETE PRODUCTS (913) 321-8108 615 SCOTT* KANSAS CITY, KANSAS 66119 | STRUCTURE DESIGNATION 500 GAL. GI OR S&O | DATE 08/28/13 |
|---|---|------------------|

REBAR PLACEMENT #4 @ 12" C/C EA. WAY WALLS #5 @ 6" C/C EA. WAY TOP SLAB #4 @ 6" C/C EA. WAY BOT SLAB

CONTRACTOR

PROJECT
2000 GAL GREASE INTERCEPTOR

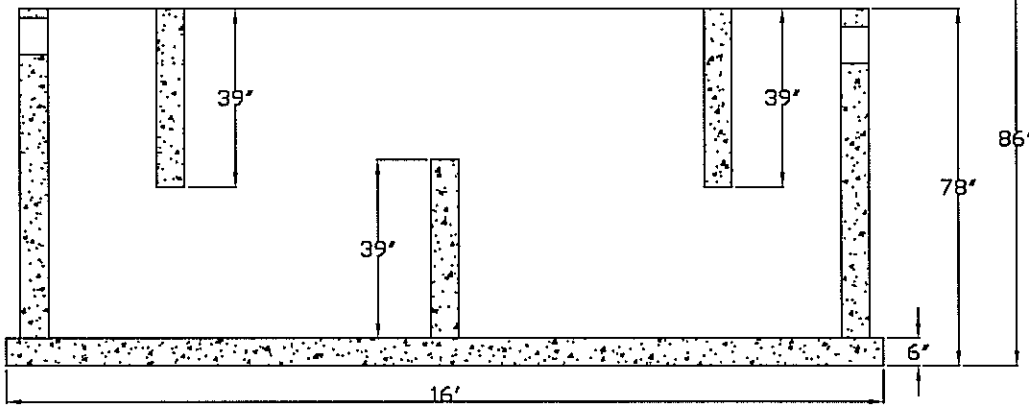
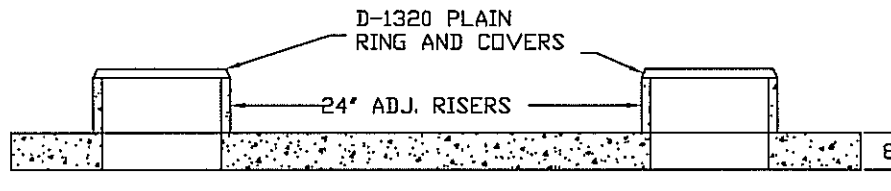
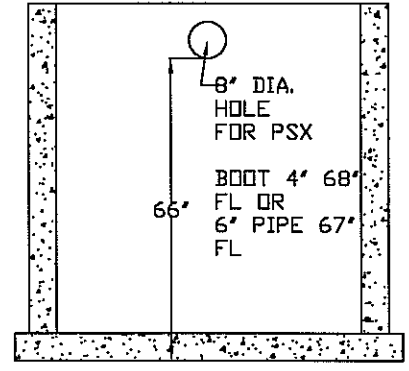
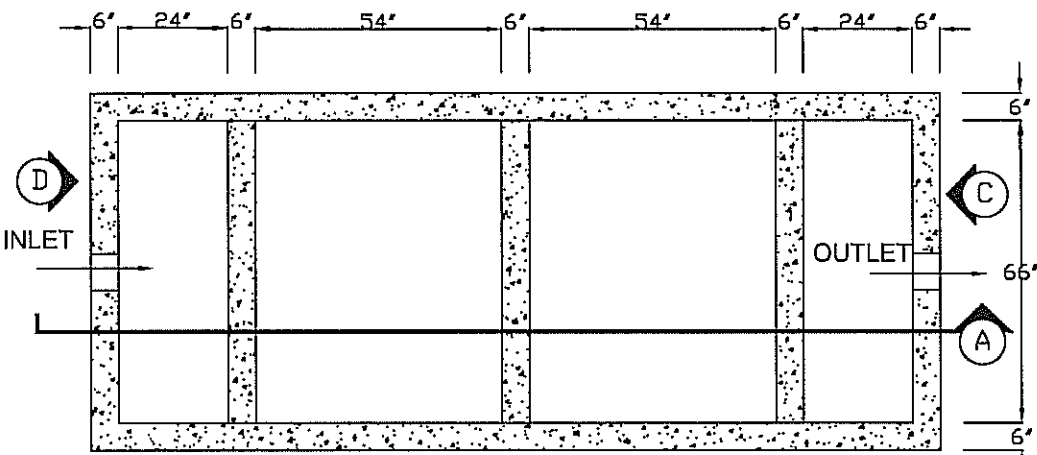
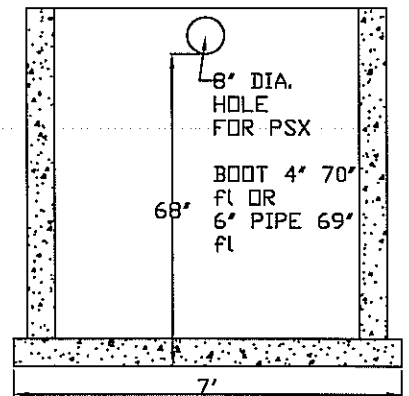
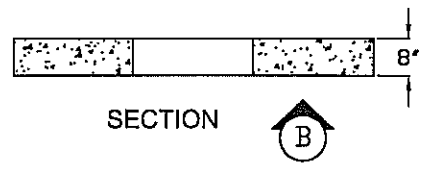
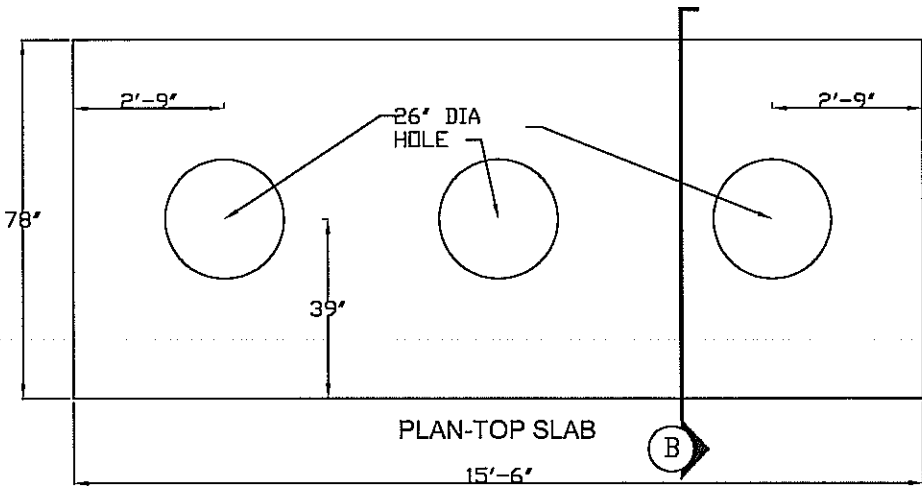


WT. TOP SLAB 5825#
 WT. STRUCTURE 23650#

REBAR PLACEMENT
 #4 @ 12" C/C EA. WAY WALLS
 #5 @ 6" C/C EA. WAY TOP SLAB
 #5 @ 12" C/C EA. WAY BOT SLAB

CONTRACTOR

PROJECT
3000 GAL GREASE INTERCEPTOR



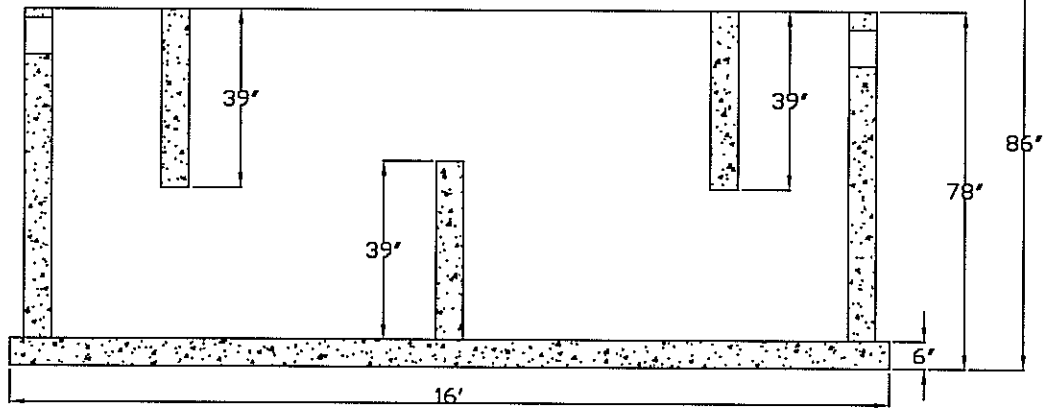
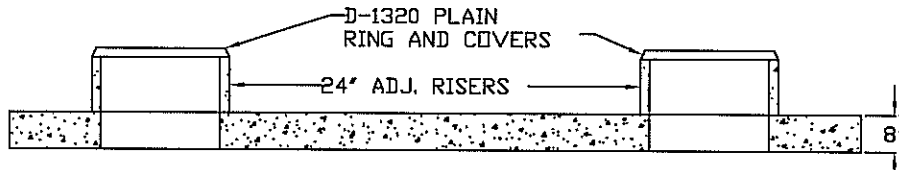
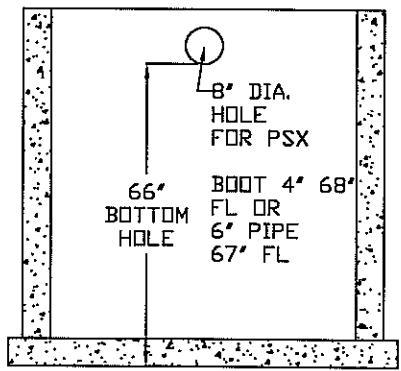
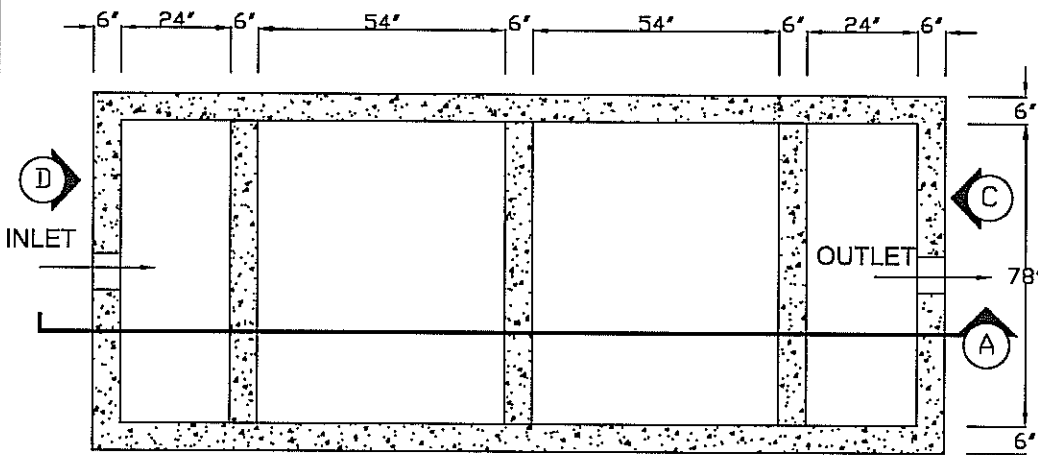
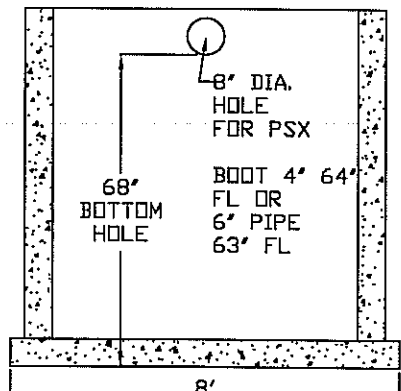
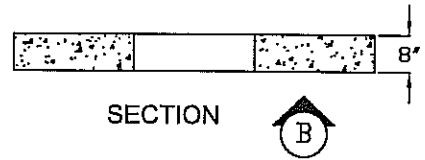
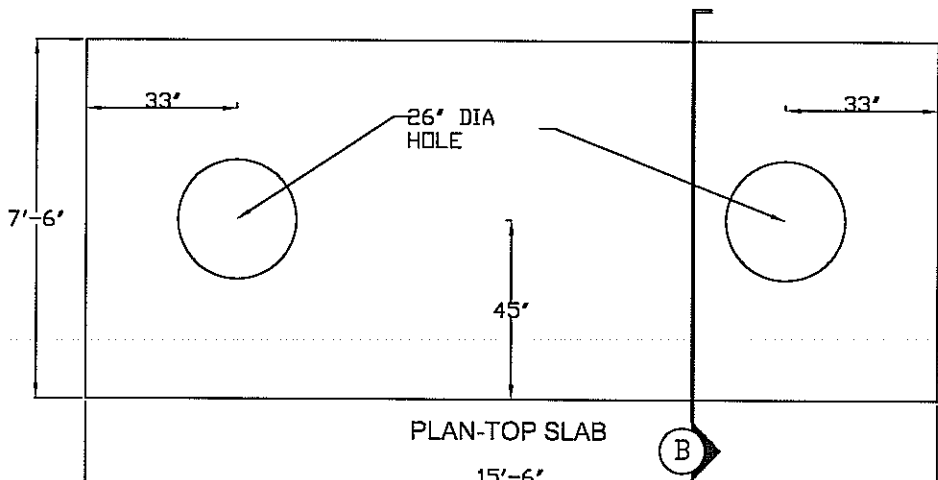
WT. TOP SLAB 9711#
WT. STRUCTURE 29679#

#4 @ 12" C/C EA. WAY WALLS
#5 @ 6" C/C EA. WAY TOP SLAB
#5 @ 12" C/C EA. WAY BOT SLAB

RELIABLE CONCRETE PRODUCTS
615 SCOTT* KANSAS CITY, KANSAS 66119

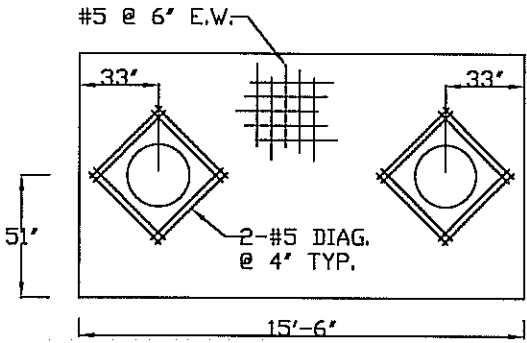
STRUCTURE DESIGNATION
3000 GAL GREASE INTERCEPTOR
2 HOLE OR 3 HOLE

DATE
08/28/13

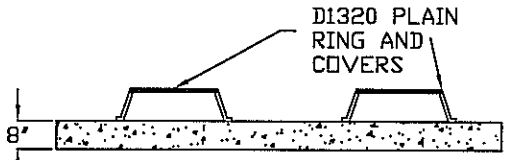


WT. TOP SLAB 11293#
 WT. STRUCTURE 33014#

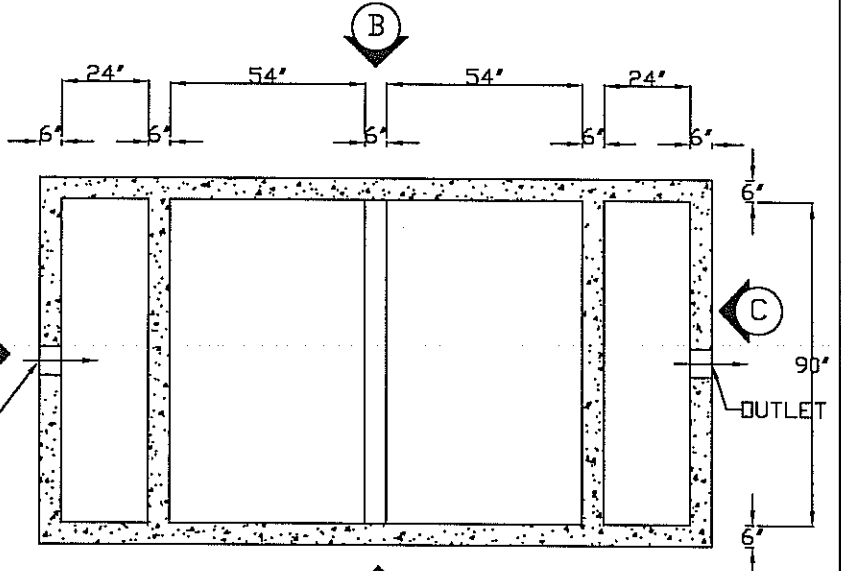
#4 @ 12" C/C EA. WAY WALLS
 #5 @ 6" C/C EA. WAY TOP SLAB
 #5 @ 12" C/C EA. WAY BOT SLAB



PLAN-TOP SLAB



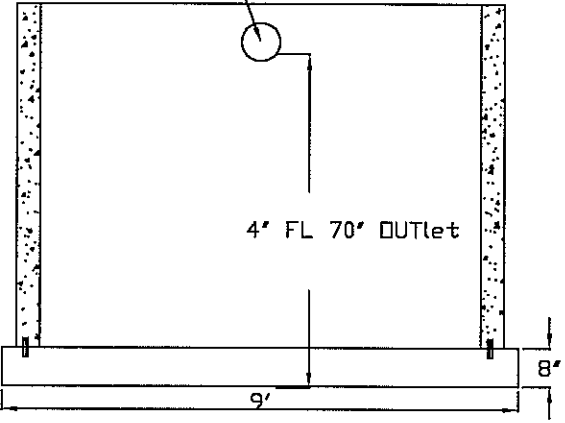
ELEVATION-TOP SLAB



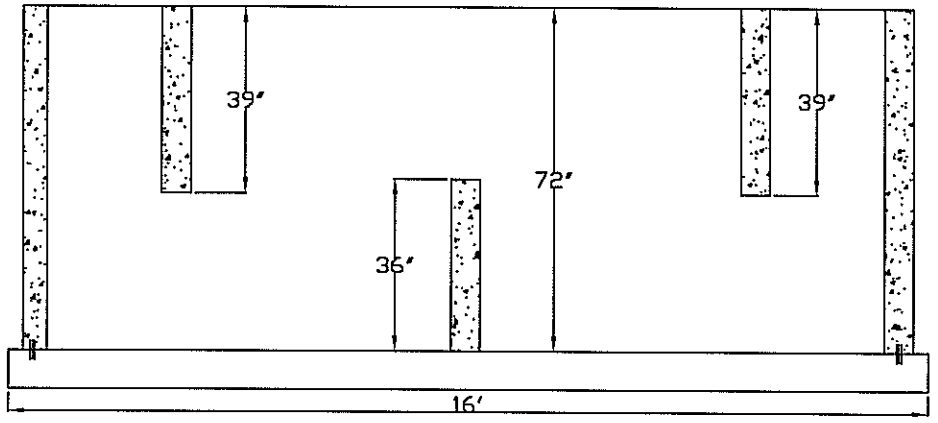
PLAN-STRUCTURE

4" GASKET

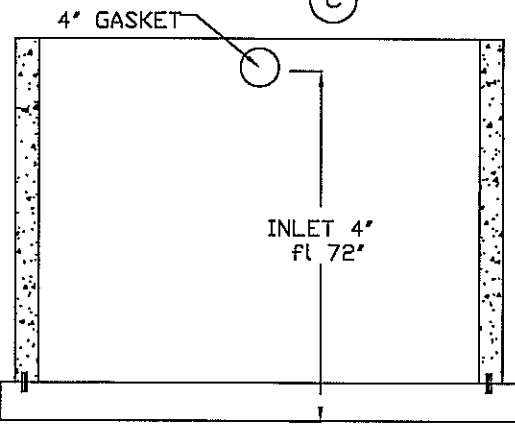
TOTAL (MIN) HT. = 8" BASE + 72" WALLS + 8" TOP SLAB + 9" R&C = 97"



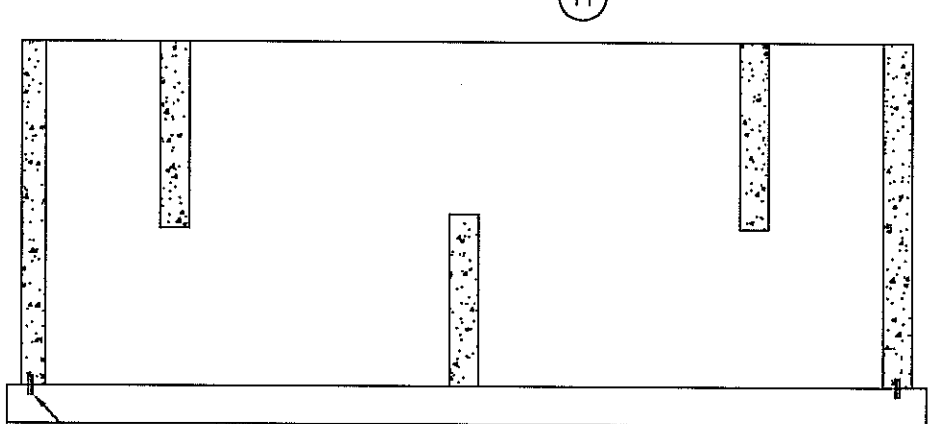
ELEVATION (C)



ELEVATION (A)



ELEVATION (D)



ELEVATION (B)

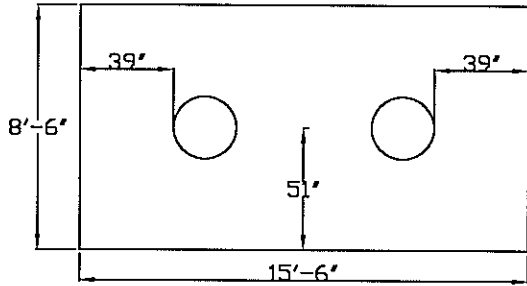
REBAR PLACEMENT

#4 @ 12" C/C EA. WAY WALLS #5 @ 6" C/C EA. WAY TOP SLAB #4 @ 6" C/C EA. WAY BOT SLAB

5000 GAL GREASE INTERCEPTOR

REBAR PLACEMENT

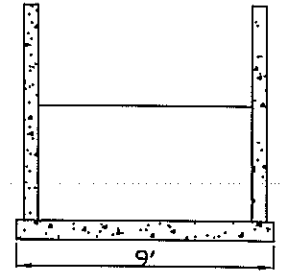
- #4 @ 12" C/C EA. WAY WALLS
- #5 @ 6" C/C EA. WAY TOP SLAB
- #5 @ 12" C/C EA. WAY BOT SLAB



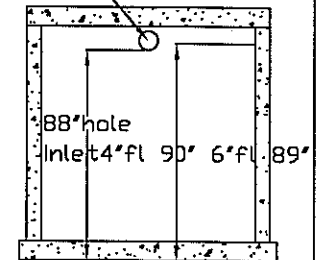
PLAN-TOP SLAB

WT. OF TOP SLAB 12880#
 WT. OF STRUCTURE 44640#
 TOTAL WEIGHT 57520#

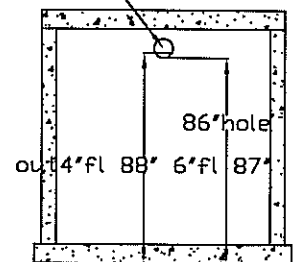
DIG SIZE 17' X 10' X 9'-7" MIN.



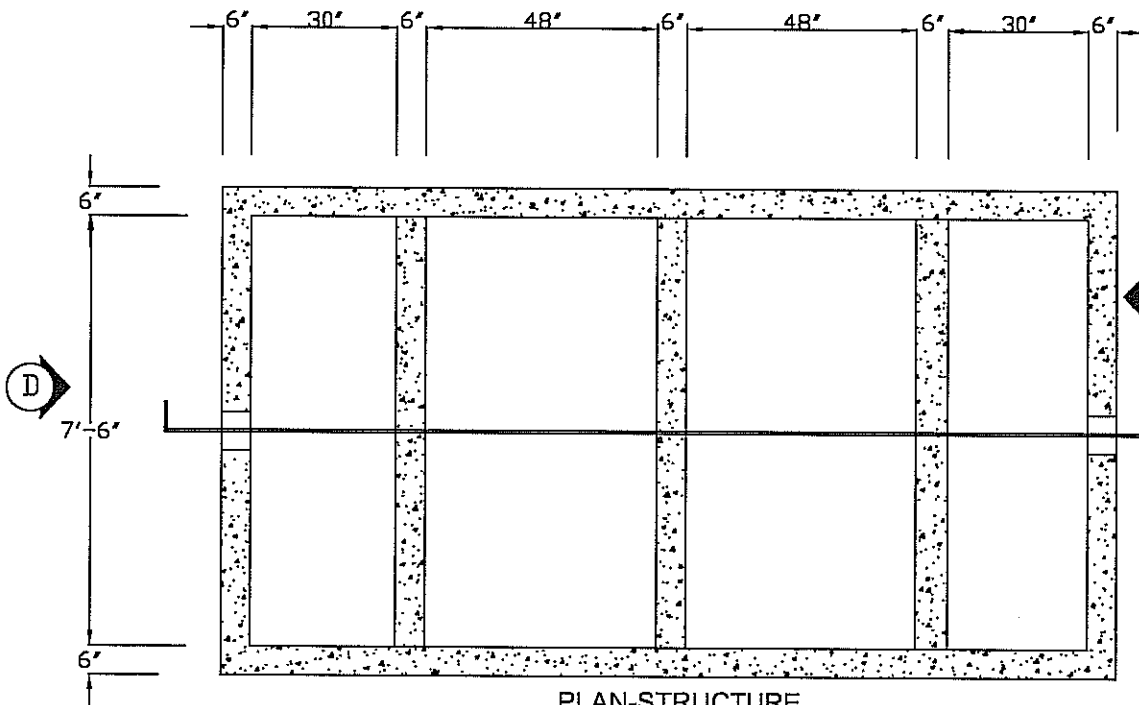
ELEVATION 8' INLET HOLE (B)



ELEVATION 8' OUTLET HOLE (D)

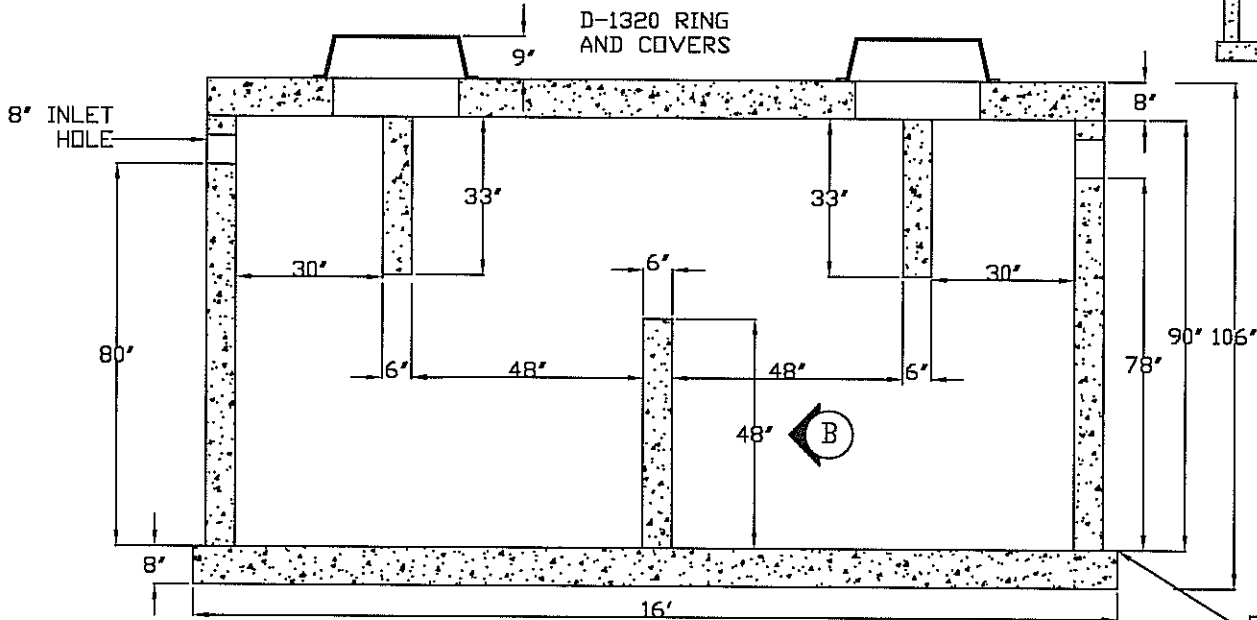


ELEVATION (C)



PLAN-STRUCTURE

D-1320 RING AND COVERS



SECTION (A)

TOTAL HEIGHT (MIN) 98"+8"+9" R&C=115"

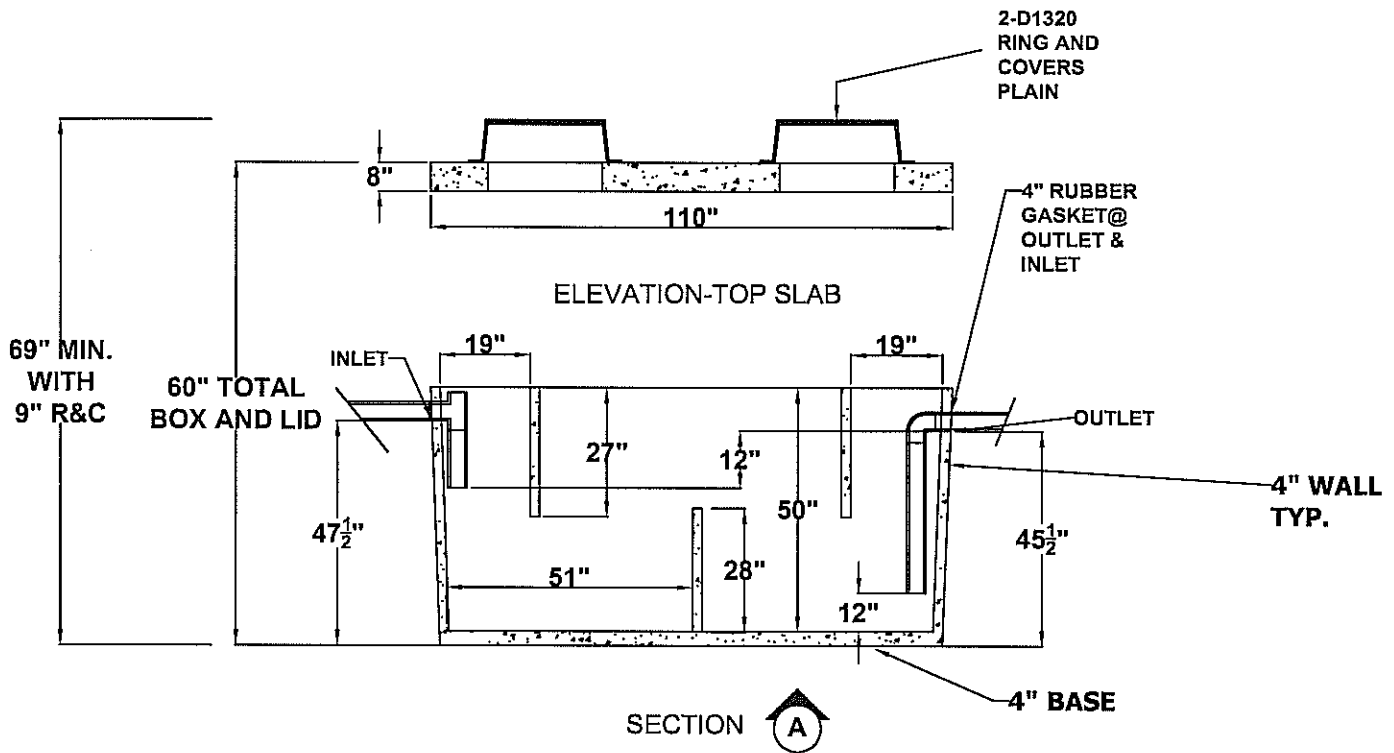
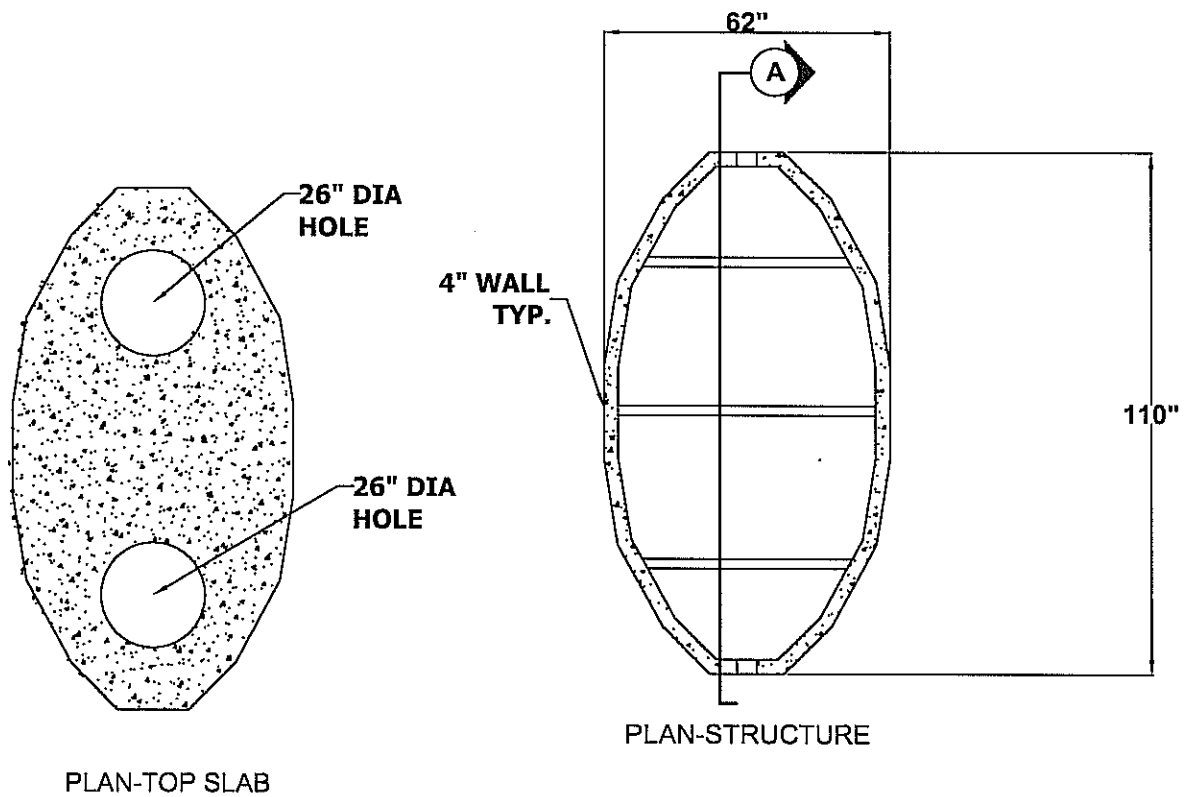
EXTEND BASE 3" ALL SIDES

RELIABLE CONCRETE PRODUCTS
 615 SCOTT* KANSAS CITY, KANSAS 66119

STRUCTURE DESIGNATION
 5000 GAL GREASE INTERCEPTOR

DATE
 08/28/13

1000 GAL INTERCEPTOR

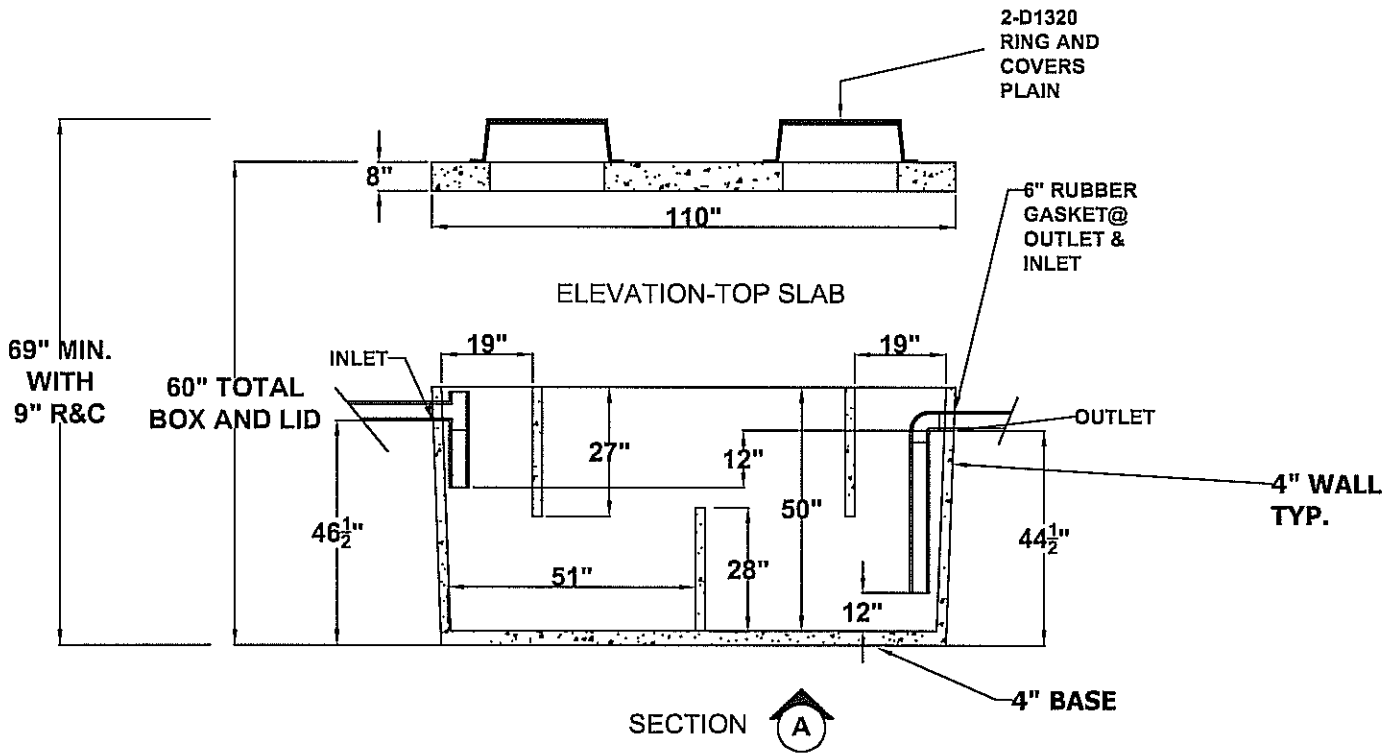
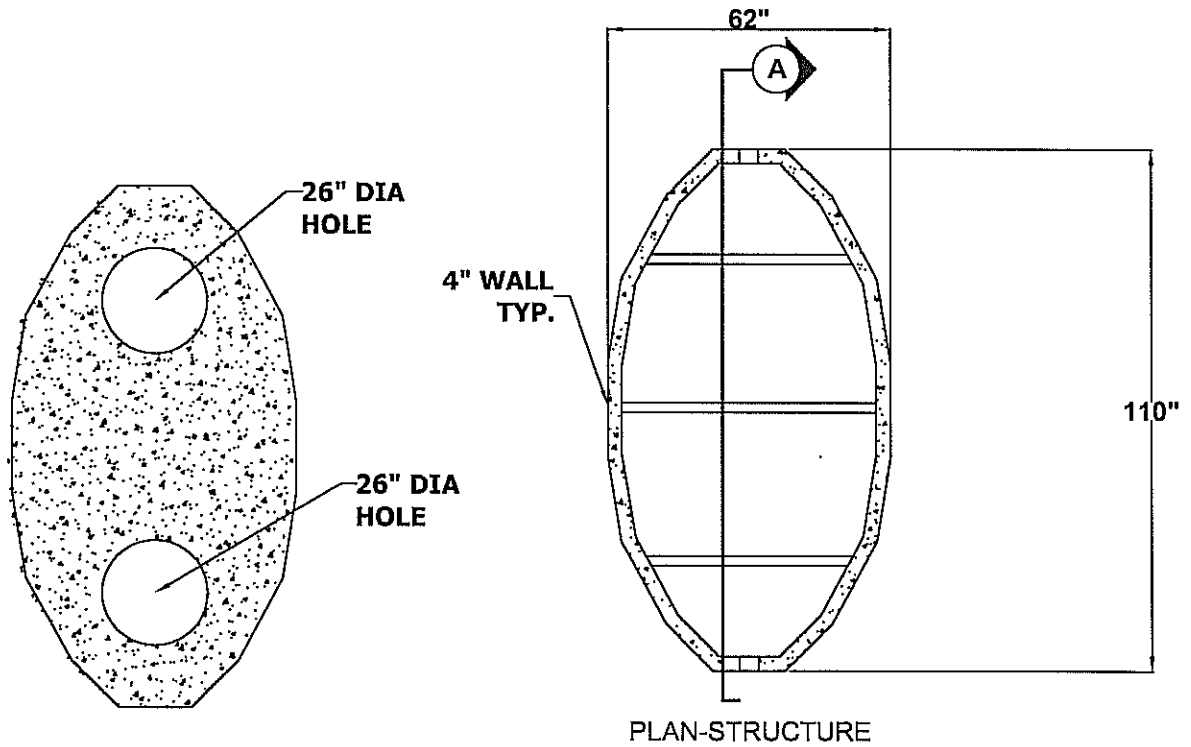


DIG HOLE SIZE
10' X 6'

REBAR PLACEMENT
#5 @ 12" C/C EA. WAY TOP SLAB
#3 BAR AROUND TOP
6X6X10X10 WIRE, BOTTOM AND SIDES
4000 PSI CONCRETE

6" PIPE

1000 GAL INTERCEPTOR



DIG HOLE SIZE
10' X 6'

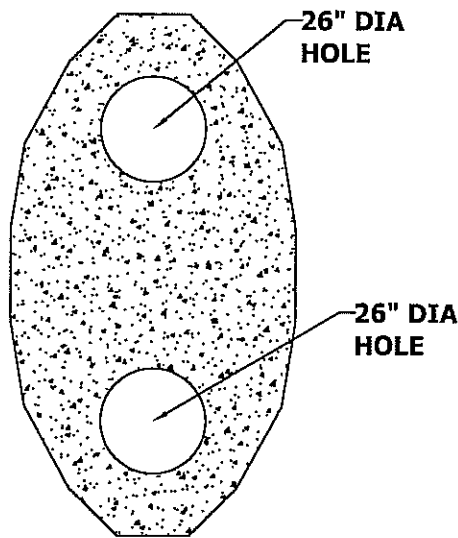
REBAR PLACEMENT

#5 @ 12" C/C EA. WAY TOP SLAB

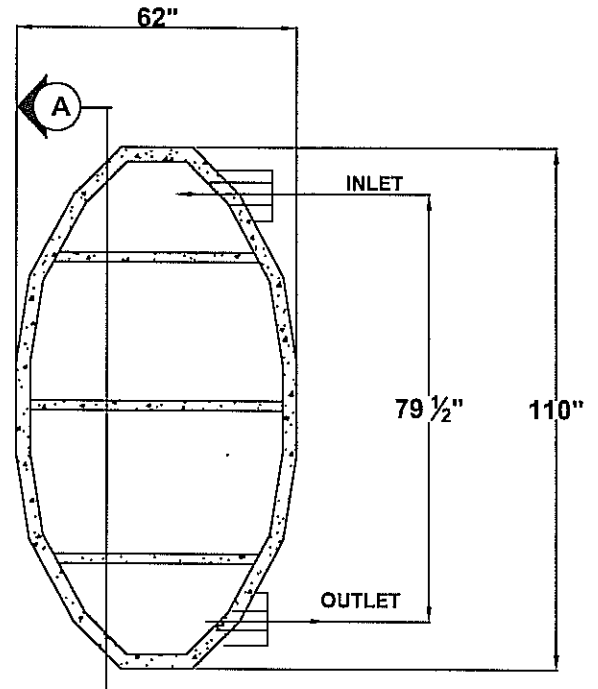
#3 BAR AROUND TOP

6X6X10X10 WIRE, BOTTOM AND SIDES

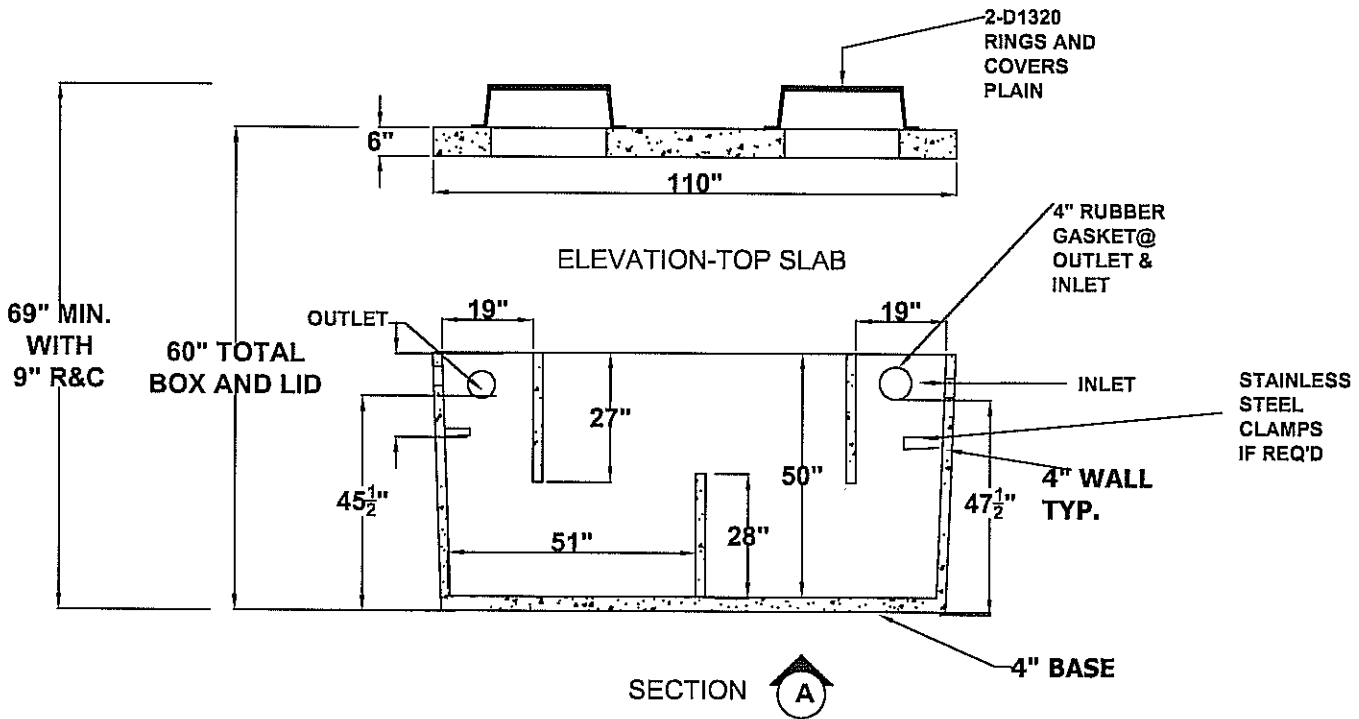
4000 PSI CONCRETE



PLAN-TOP SLAB



PLAN-STRUCTURE



69" MIN.
WITH
9" R&C

60" TOTAL
BOX AND LID

ELEVATION-TOP SLAB

2-D1320
RINGS AND
COVERS
PLAIN

4" RUBBER
GASKET@
OUTLET &
INLET

STAINLESS
STEEL
CLAMPS
IF REQ'D

4" WALL
TYP.

4" BASE

SECTION **A**

DIG HOLE SIZE

10' X 6'

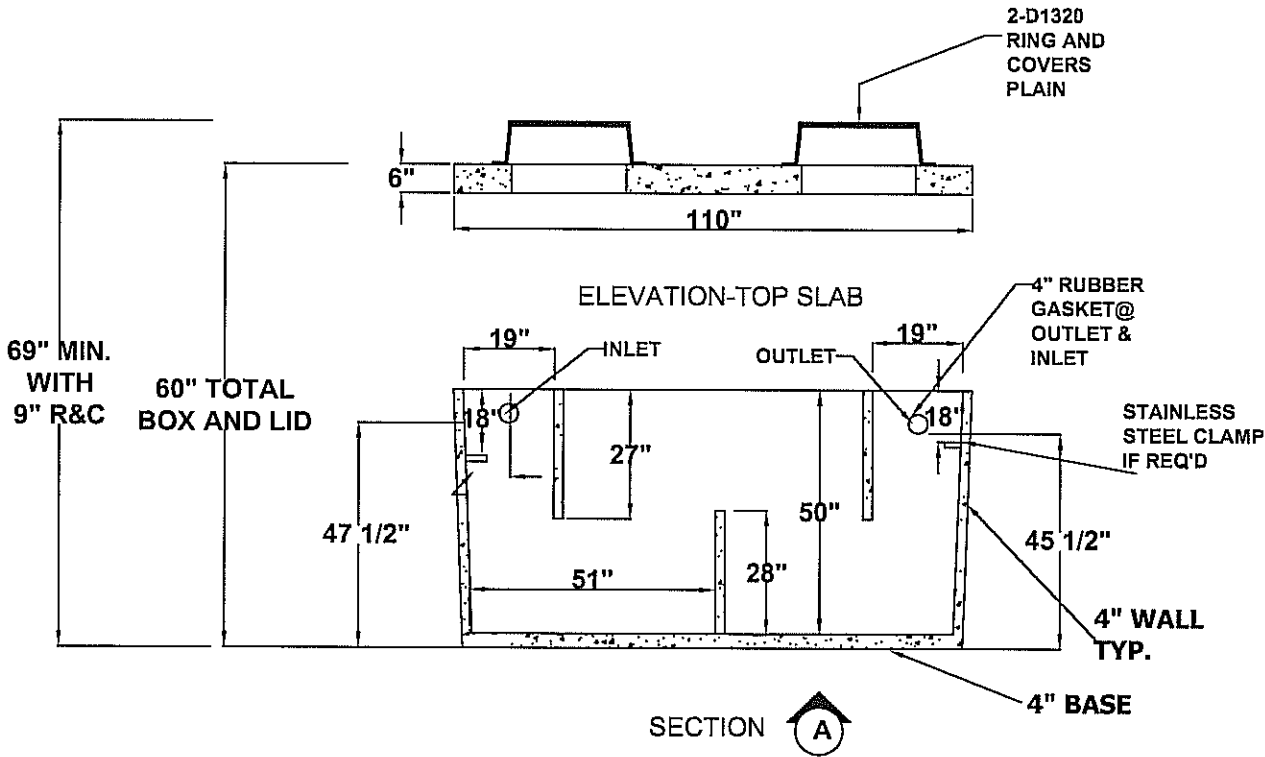
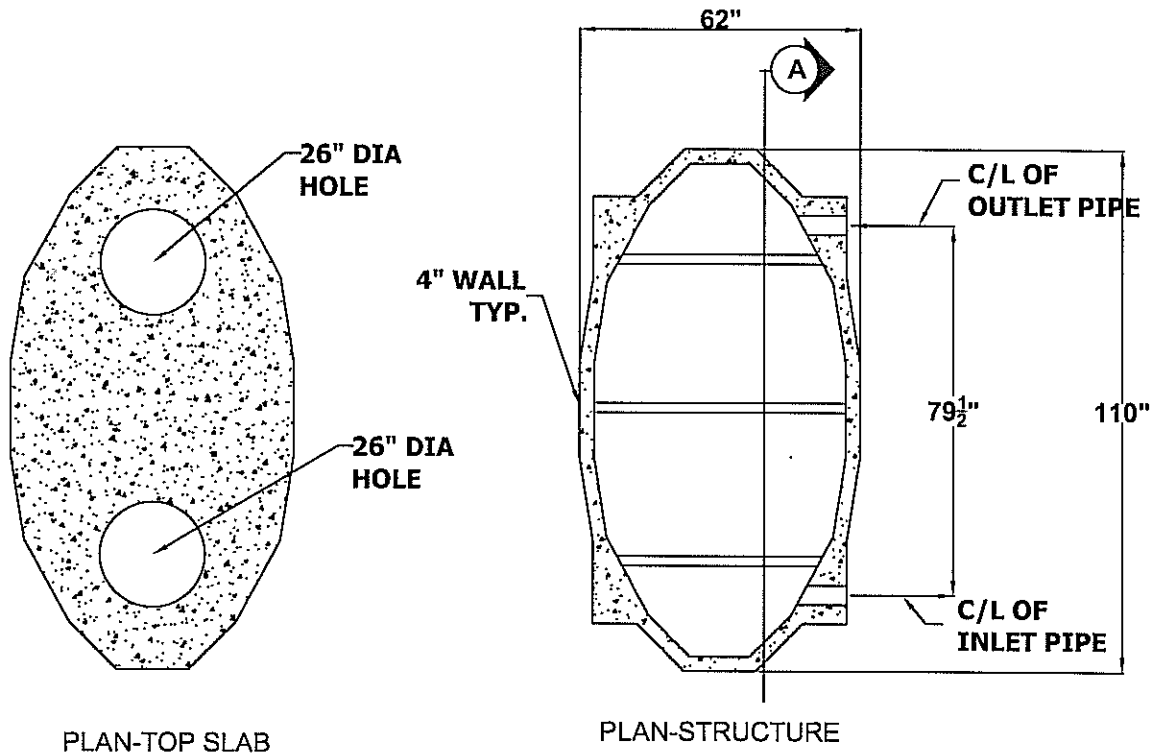
REBAR PLACEMENT

#5 @ 12" C/C EA. WAY TOP SLAB

#3 BAR AROUND TOP

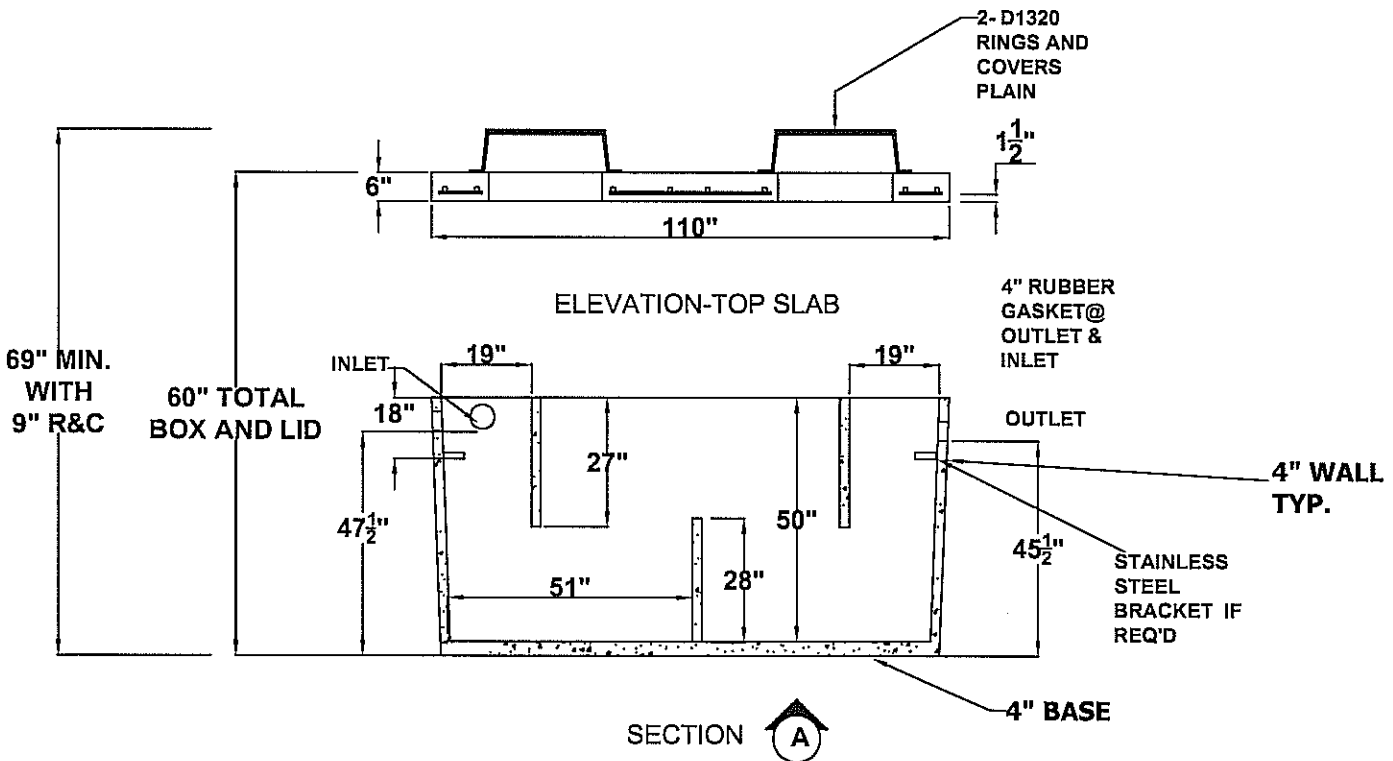
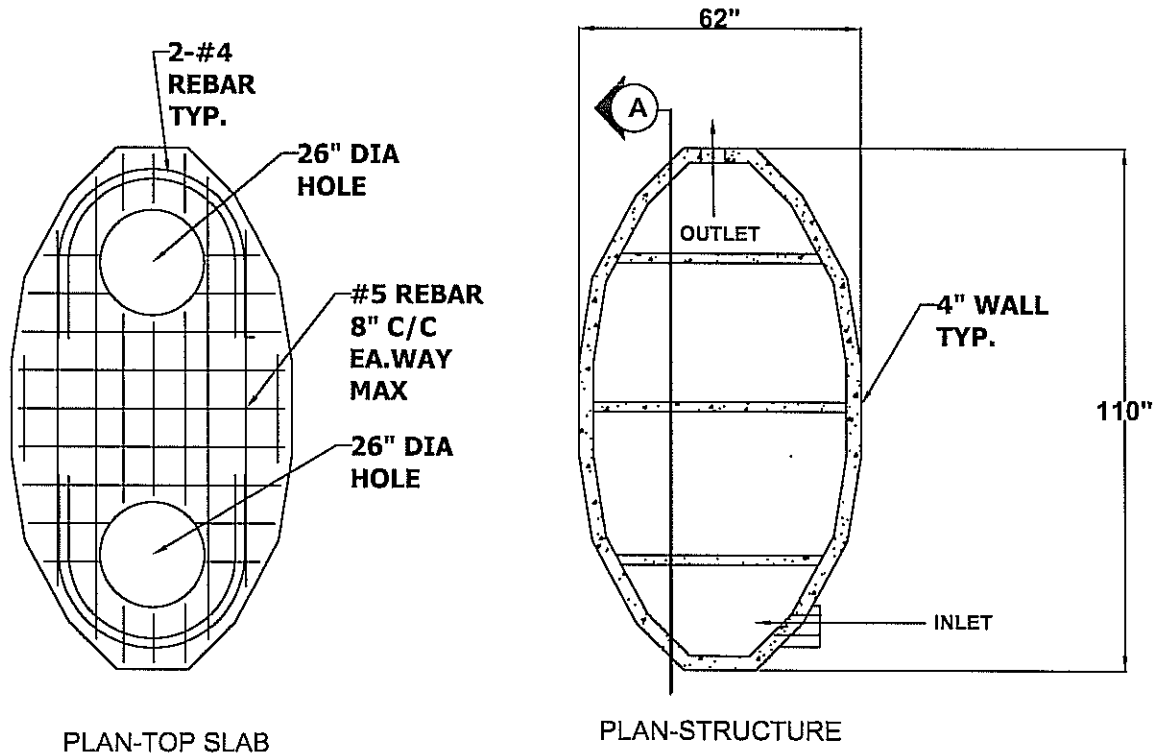
6X6X10X10 WIRE, BOTTOM AND SIDES

4000 PSI CONCRETE



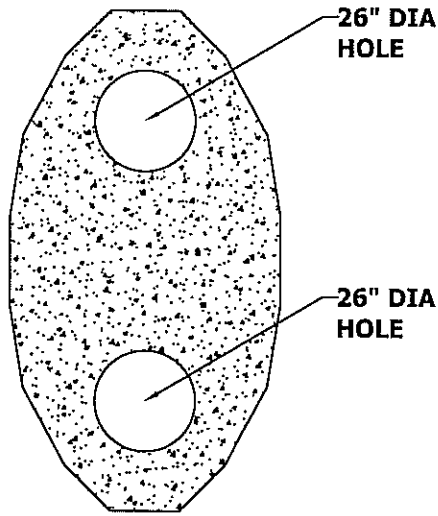
DIG HOLE SIZE
10' X 6'

REBAR PLACEMENT
#5 @ 12" C/C EA. WAY TOP SLAB
#3 BAR AROUND TOP
6X6X10X10 WIRE, BOTTOM AND SIDES
4000 PSI CONCRETE

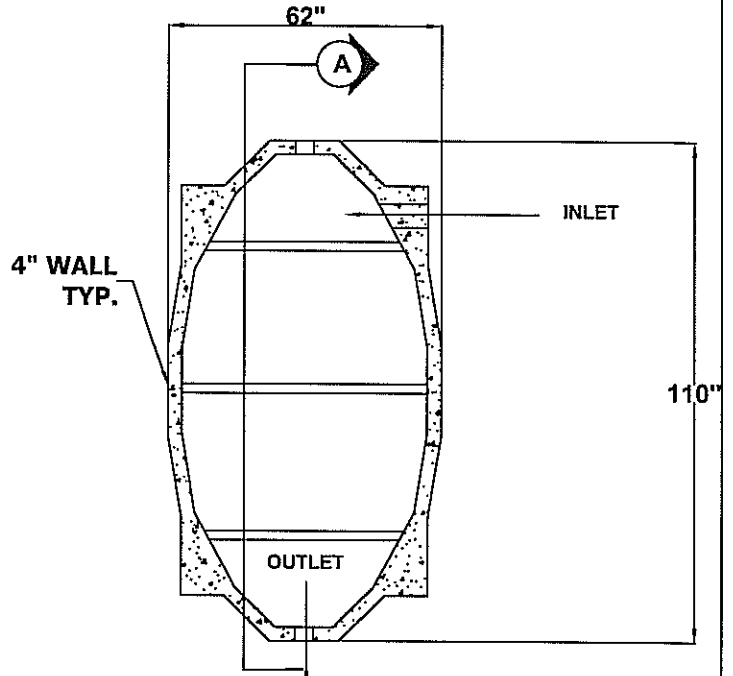


DIG HOLE SIZE
10' X 6'

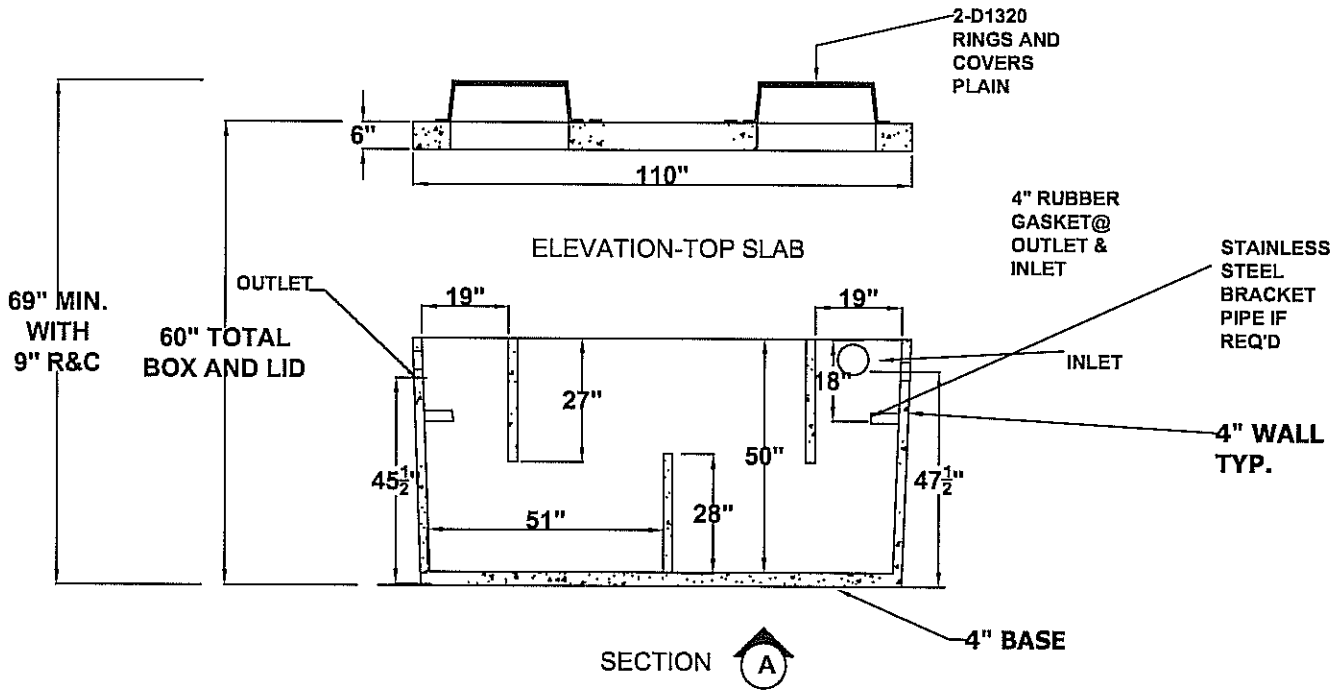
REBAR PLACEMENT
#5 @ 12" C/C EA. WAY TOP SLAB
#3 BAR AROUND TOP
6X6X10X10 WIRE, BOTTOM AND SIDES
4000 PSI CONCRETE



PLAN-TOP SLAB

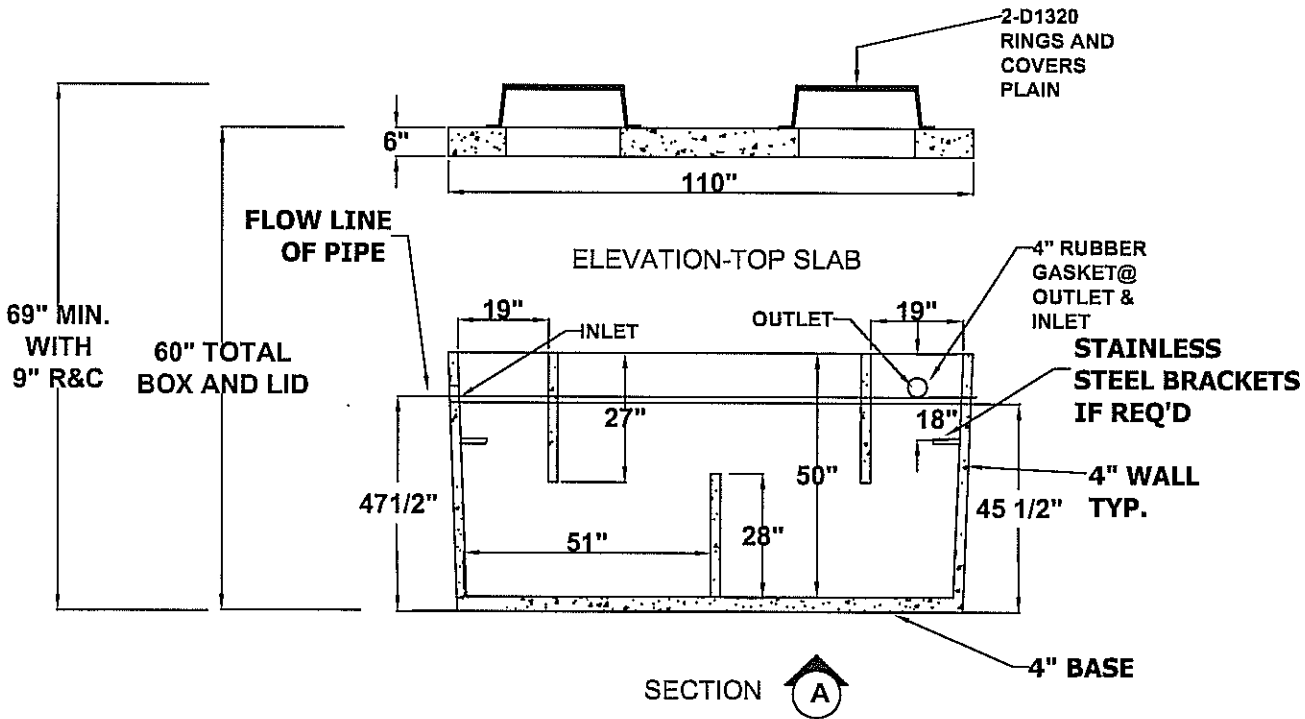
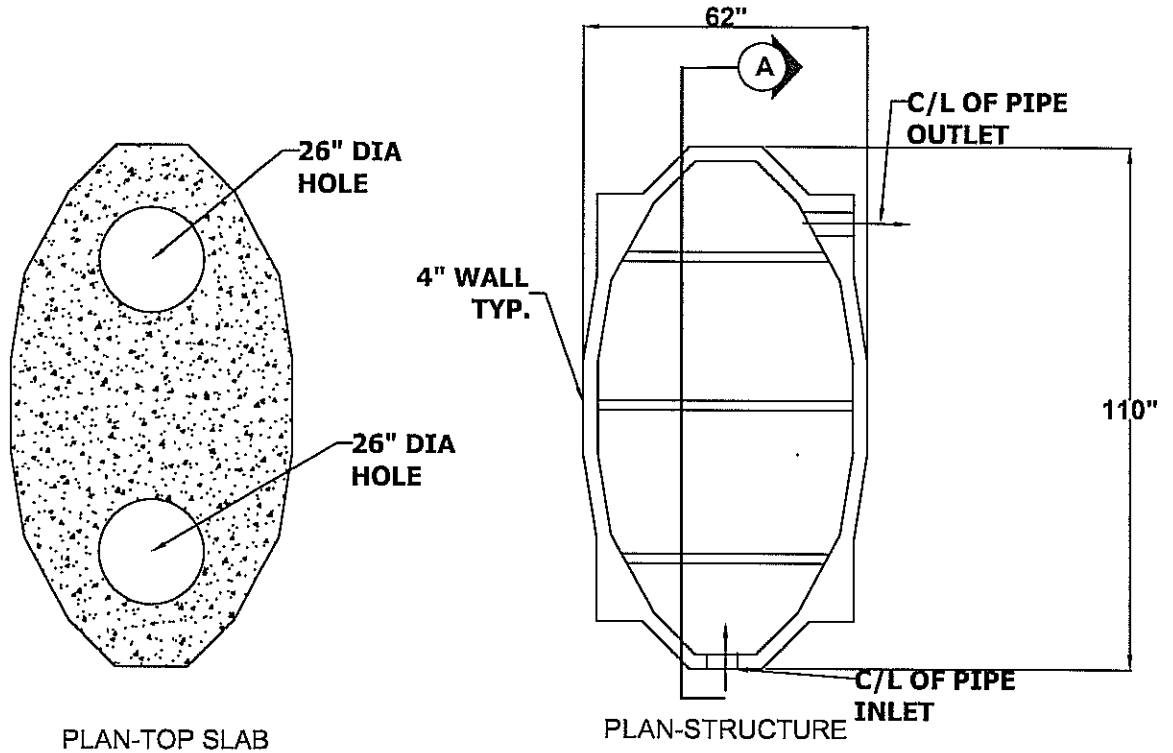


PLAN-STRUCTURE



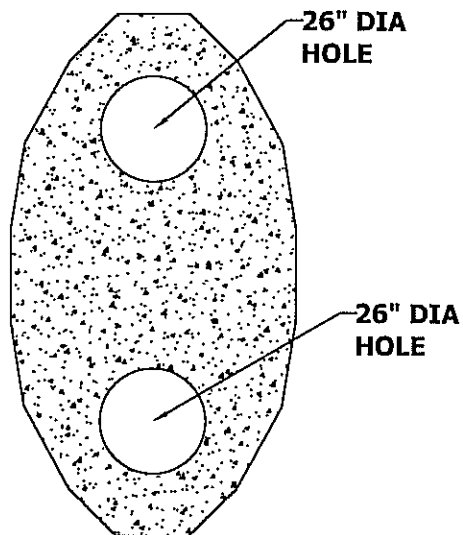
DIG HOLE SIZE
10' X 6'

REBAR PLACEMENT
#5 @ 12" C/C EA. WAY TOP SLAB
#3 BAR AROUND TOP
6X6X10X10 WIRE, BOTTOM AND SIDES
4000 PSI CONCRETE

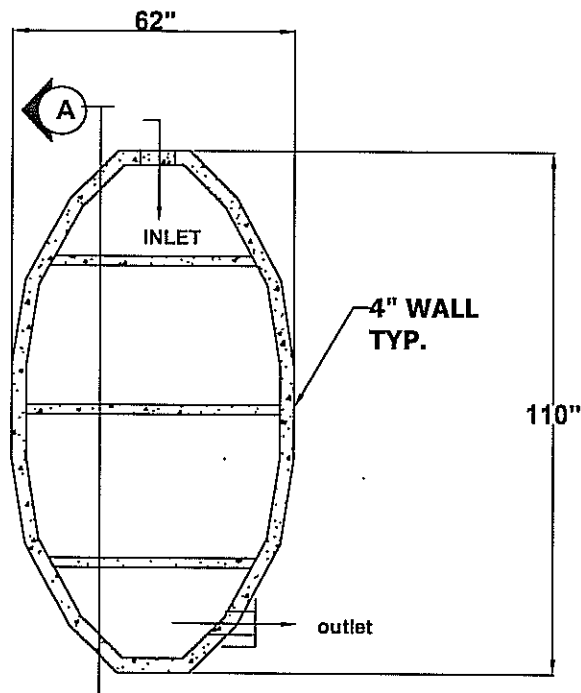


DIG HOLE SIZE
10' X 6'

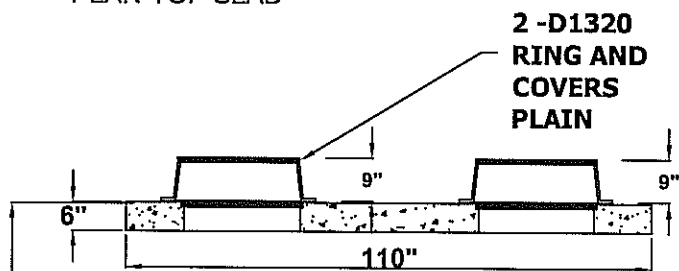
REBAR PLACEMENT
#5 @ 12" C/C EA. WAY TOP SLAB
#3 BAR AROUND TOP
6X6X10X10 WIRE, BOTTOM AND SIDES
4000 PSI CONCRETE



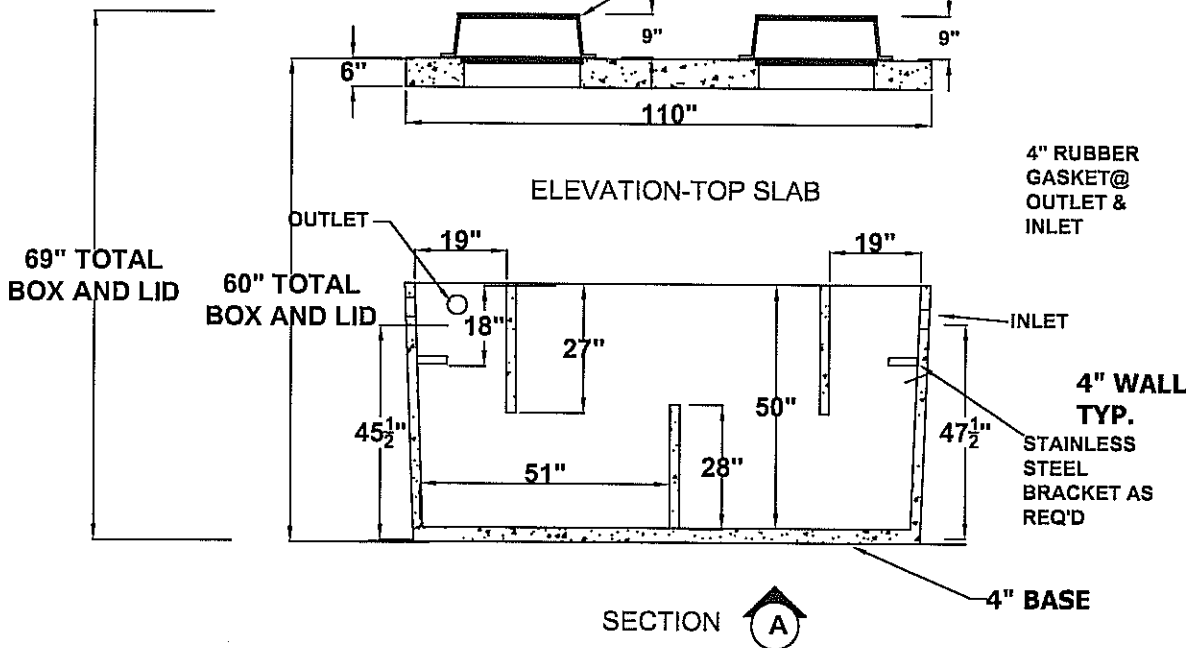
PLAN-TOP SLAB



PLAN-STRUCTURE



ELEVATION-TOP SLAB



SECTION A

DIG HOLE SIZE

10' X 6'

REBAR PLACEMENT

#5 @ 12" C/C EA. WAY TOP SLAB

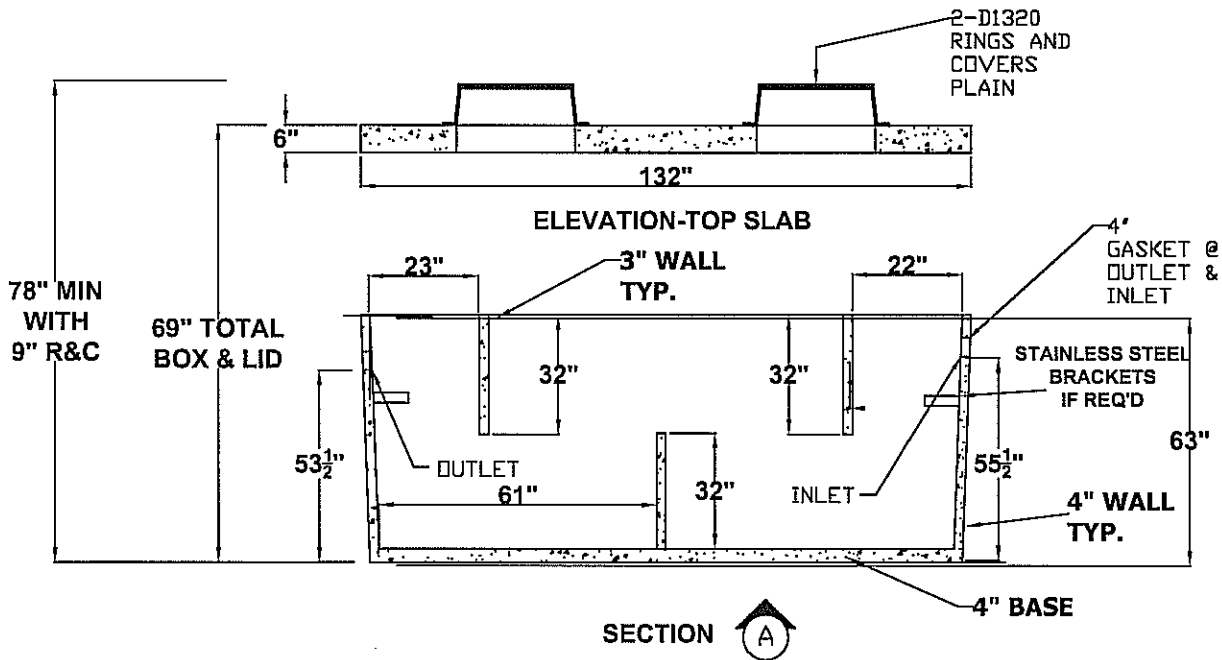
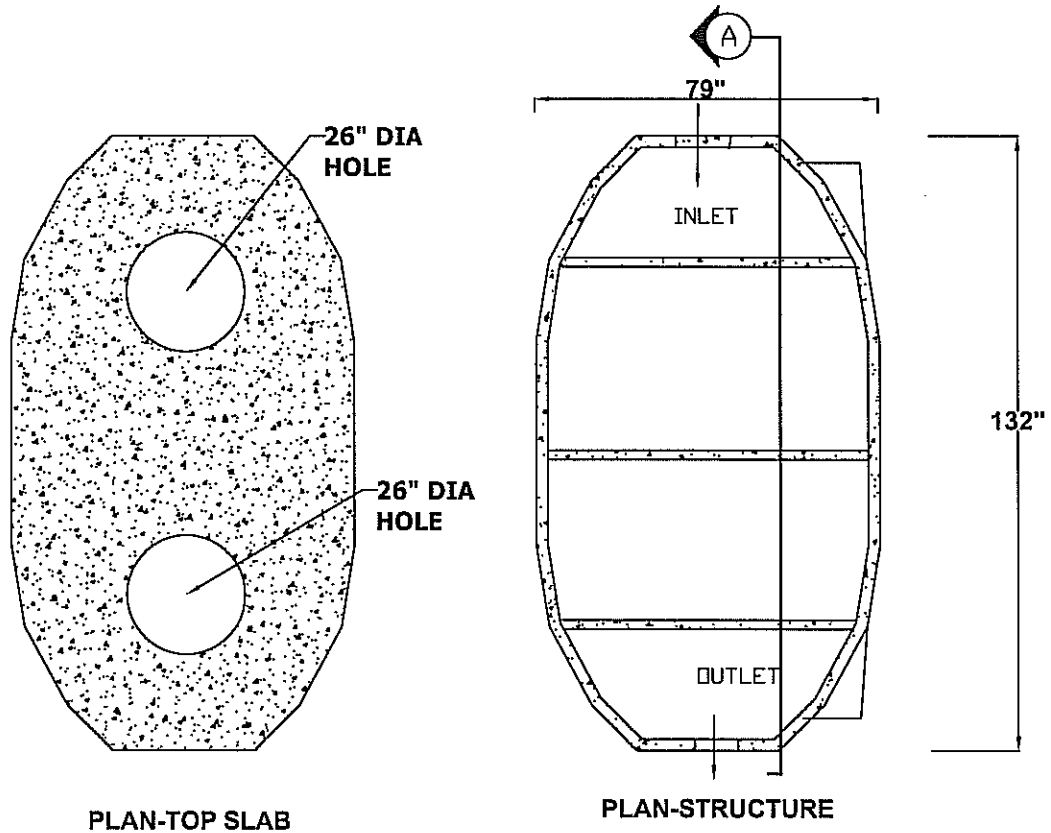
#3 BAR AROUND TOP

6X6X10X10 WIRE, BOTTOM AND SIDES

4000 PSI CONCRETE

STANDARD

1500 GAL INTERCEPTOR



DIG HOLE SIZE= 12' X 7'

REBAR PLACEMENT
#5 @ 12" C/C EA. WAY TOP SLAB
#3 BAR AROUND TOP
6X6X10X10 WIRE, BOTTOM AND SIDES

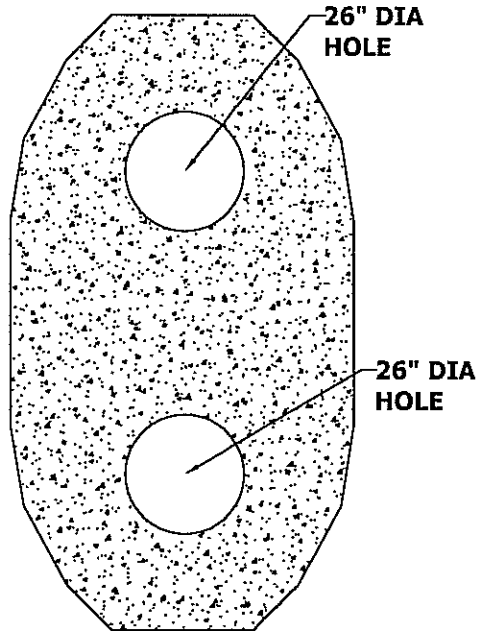
RELIABLE CONCRETE PRODUCTS
615 SCOTT* KANSAS CITY, KANSAS 66119

STRUCTURE DESIGNATION
1500 GAL INTERCEPTOR

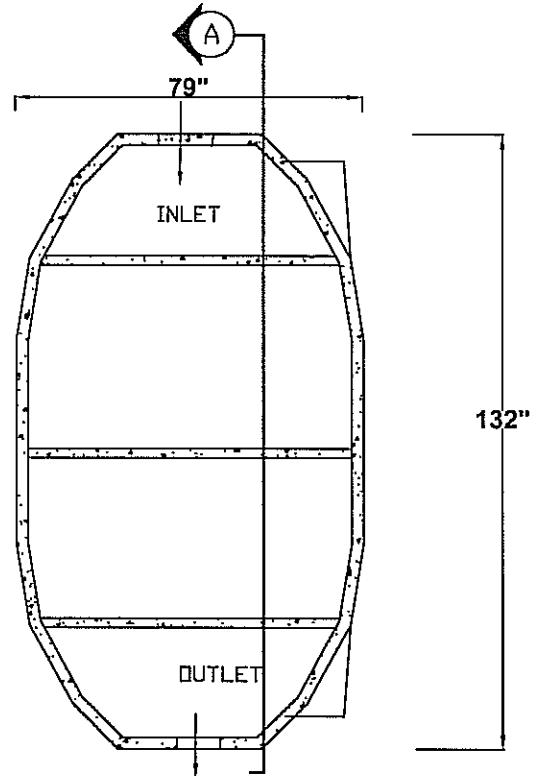
DATE
09/09/13

6" PIPE

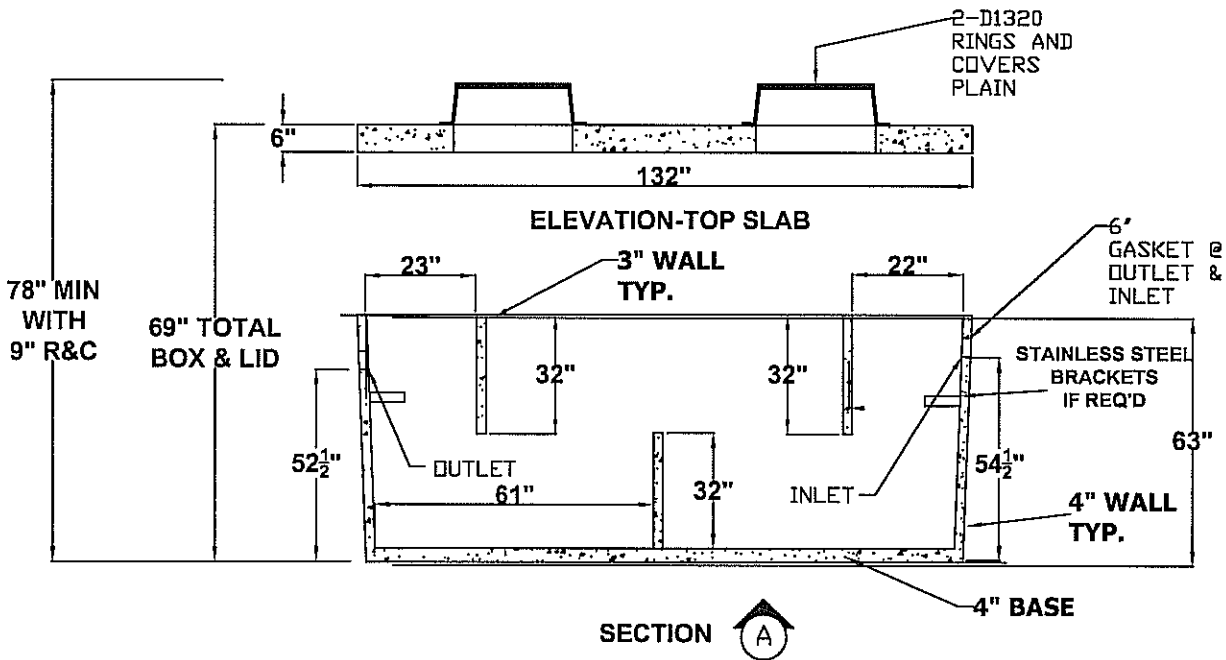
1500 GAL INTERCEPTOR



PLAN-TOP SLAB



PLAN-STRUCTURE



DIG HOLE SIZE= 12' X 7'

REBAR PLACEMENT
 #5 @ 12" C/C EA. WAY TOP SLAB
 #3 BAR AROUND TOP
 6X6X10X10 WIRE, BOTTOM AND SIDES

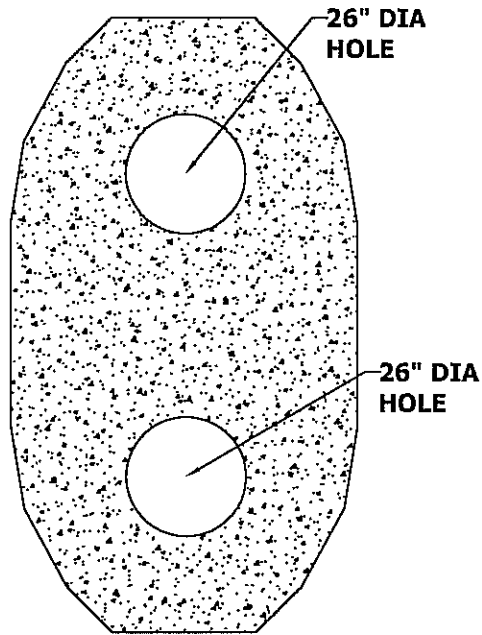
RELIABLE CONCRETE PRODUCTS
 615 SCOTT* KANSAS CITY, KANSAS 66119

STRUCTURE DESIGNATION
 1500 GAL INTERCEPTOR

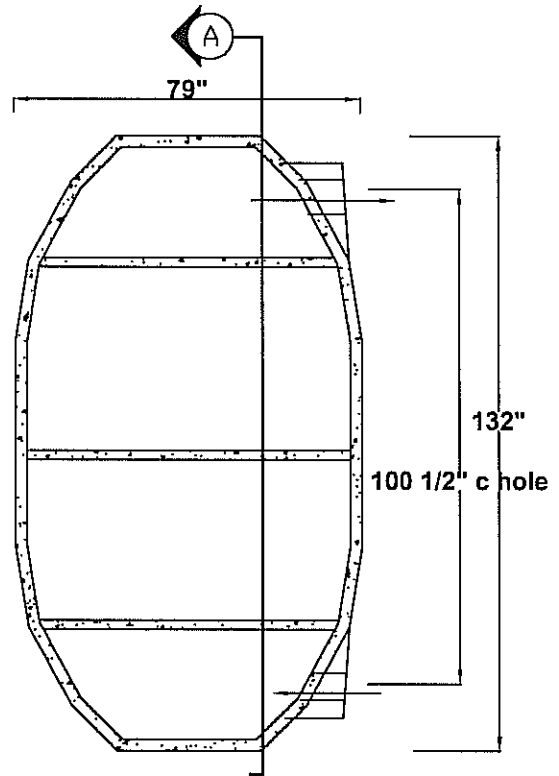
DATE
 09/09/13

IN-LS/OUT-RS

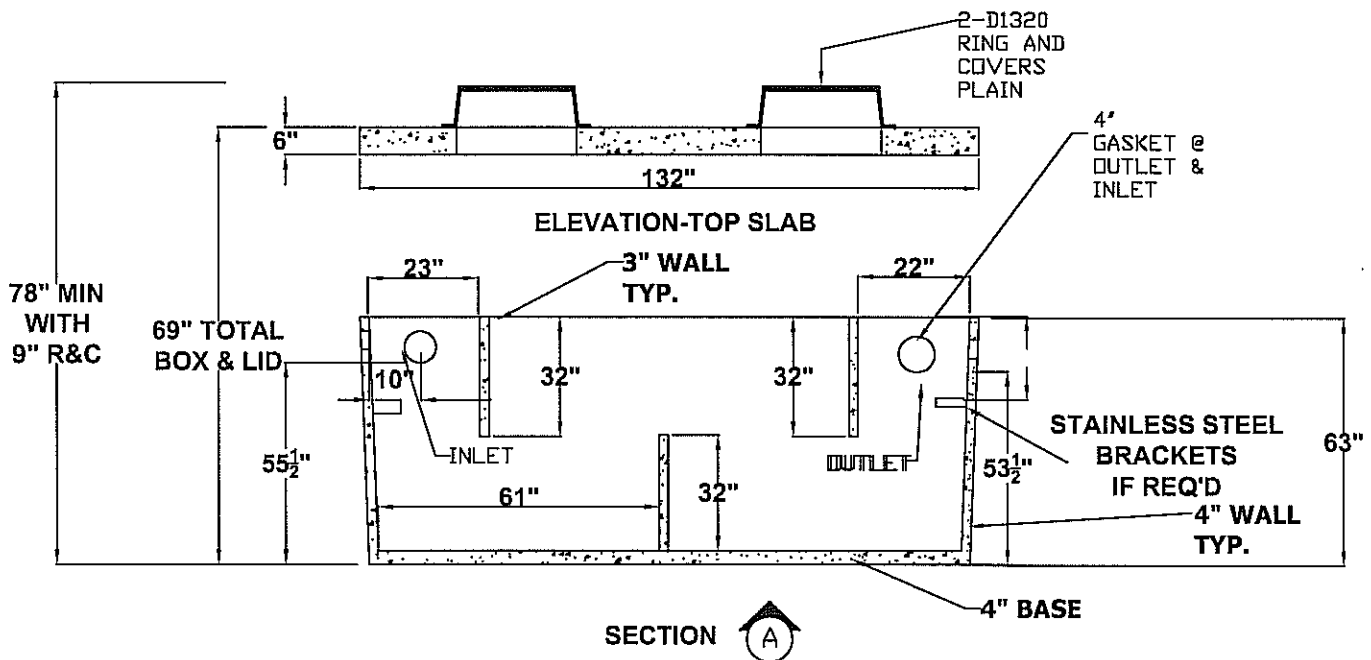
1500 GAL INTERCEPTOR



PLAN-TOP SLAB



PLAN-STRUCTURE



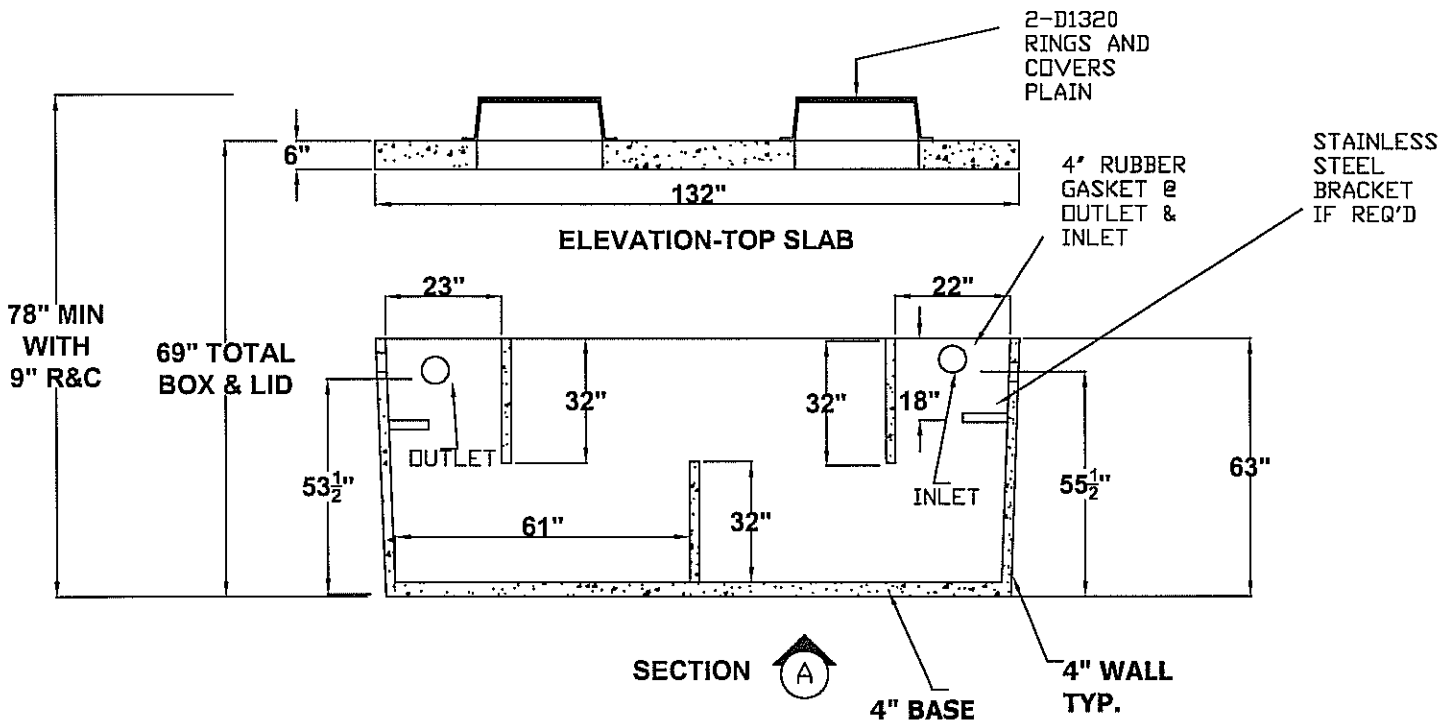
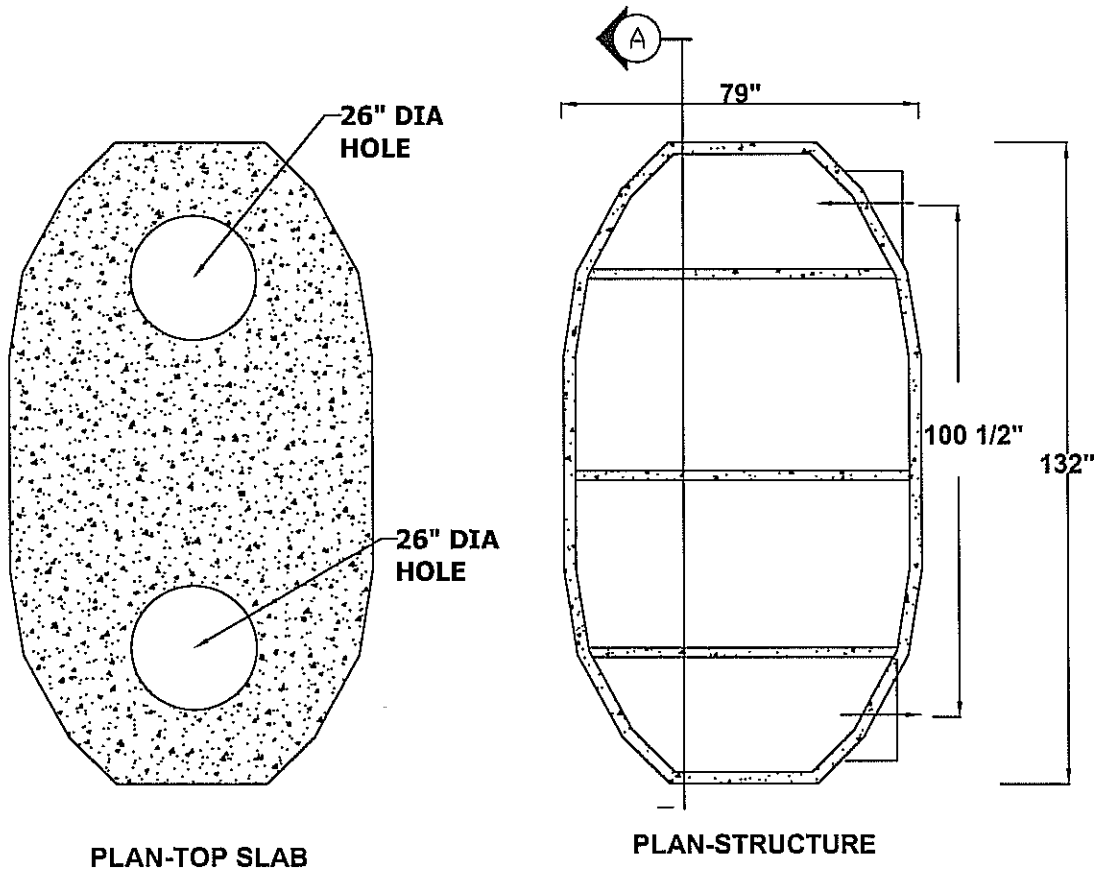
DIG HOLE SIZE= 12' X 7'

REBAR PLACEMENT
#5 @ 12" C/C EA. WAY TOP SLAB
#3 BAR AROUND TOP
6X6X10X10 WIRE, BOTTOM AND SIDES

RELIABLE CONCRETE PRODUCTS
615 SCOTT* KANSAS CITY, KANSAS 66119

STRUCTURE DESIGNATION
1500 GAL INTERCEPTOR

DATE
09/09/13

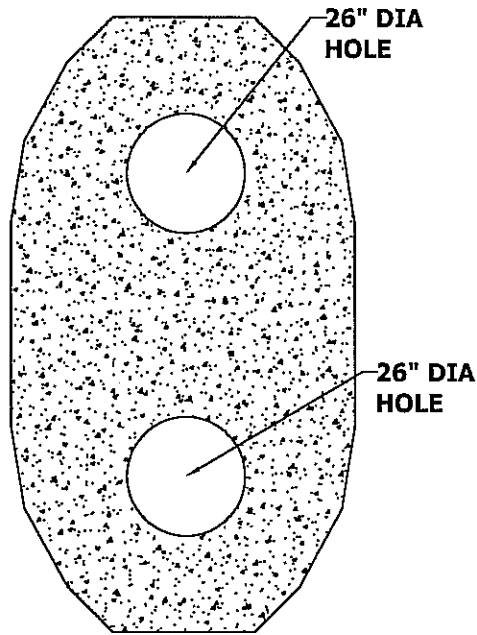


DIG HOLE SIZE= 12' X 7'

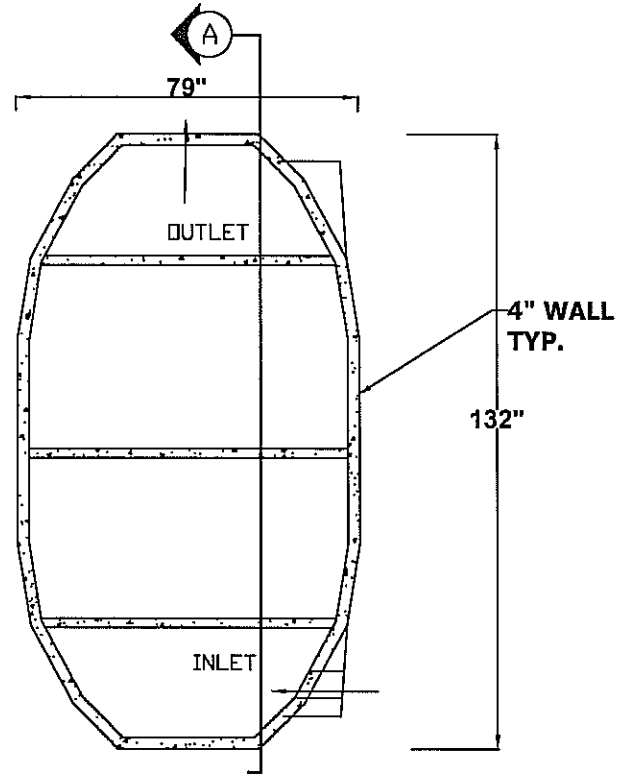
REBAR PLACEMENT
 #5 @ 12" C/C EA. WAY TOP SLAB
 #3 BAR AROUND TOP
 6X6X10X10 WIRE, BOTTOM AND SIDES

IN-LS/OUT-RE

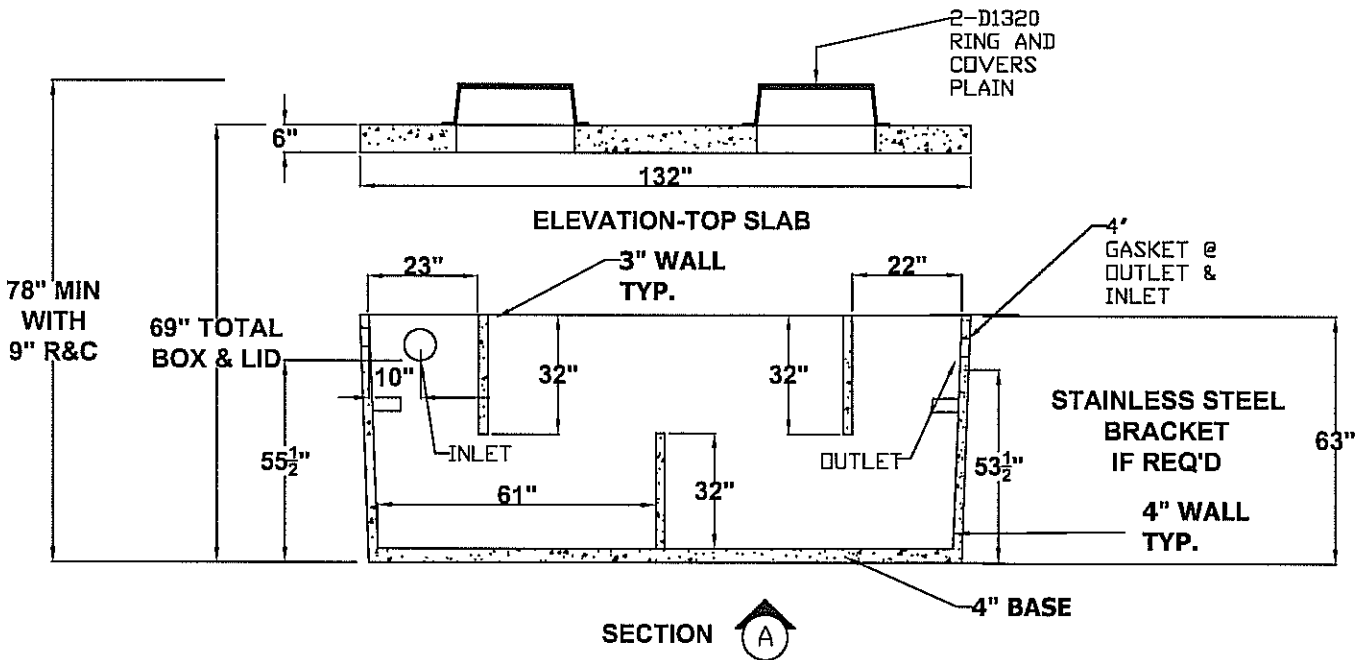
1500 GAL INTERCEPTOR



PLAN-TOP SLAB



PLAN-STRUCTURE



DIG HOLE SIZE= 12' X 7'

REBAR PLACEMENT
#5 @ 12" C/C EA. WAY TOP SLAB
#3 BAR AROUND TOP
6X6X10X10 WIRE, BOTTOM AND SIDES

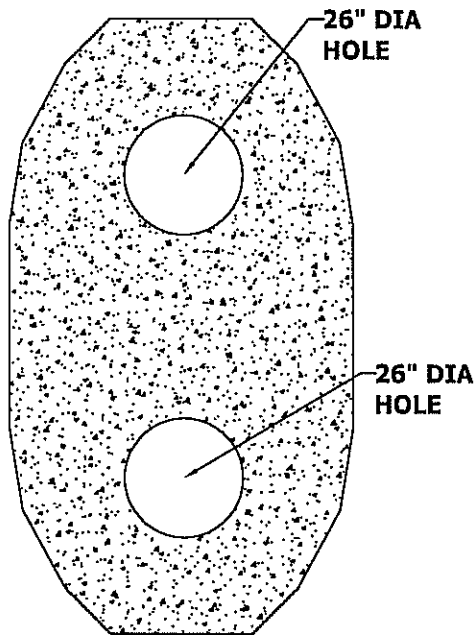
RELIABLE CONCRETE PRODUCTS
615 SCOTT* KANSAS CITY, KANSAS 66119

STRUCTURE DESIGNATION
1500 GAL INTERCEPTOR

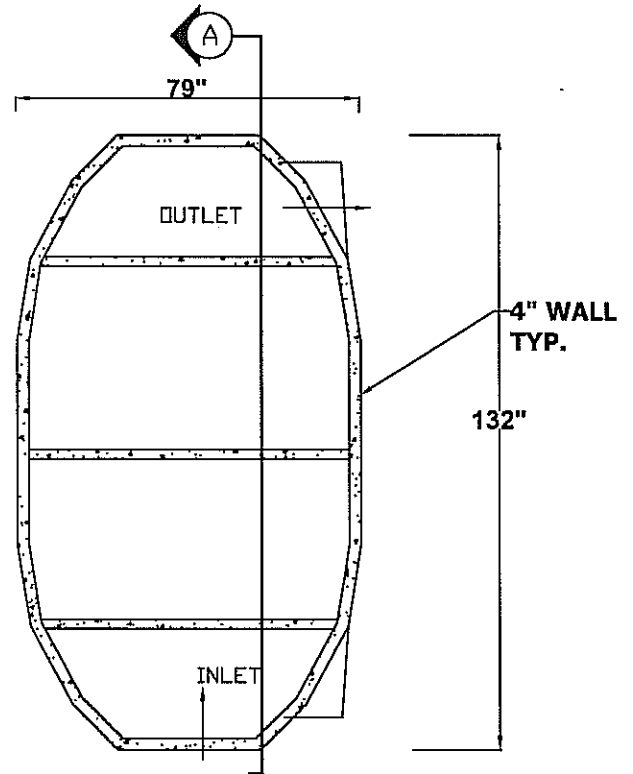
DATE
09/17/13

IN-LE/OUT-RS

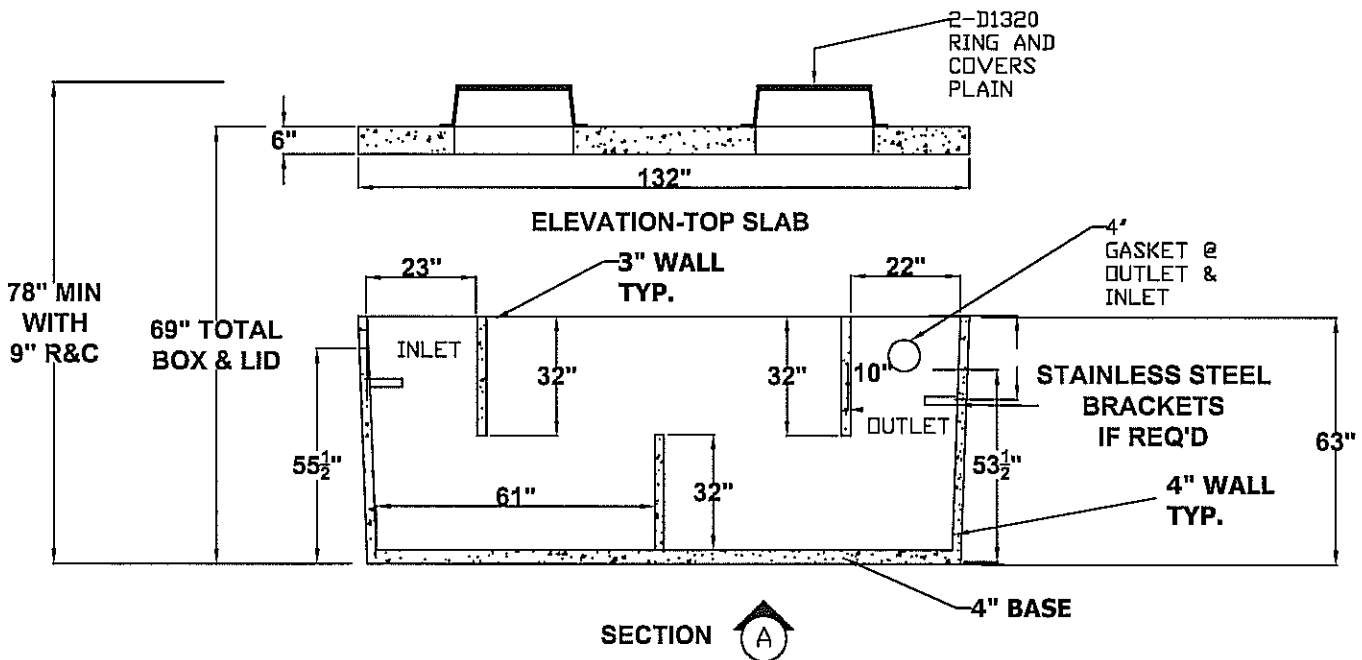
1500 GAL INTERCEPTOR



PLAN-TOP SLAB



PLAN-STRUCTURE



DIG HOLE SIZE= 12' X 7'

REBAR PLACEMENT
#5 @ 12" C/C EA. WAY TOP SLAB
#3 BAR AROUND TOP
6X6X10X10 WIRE, BOTTOM AND SIDES

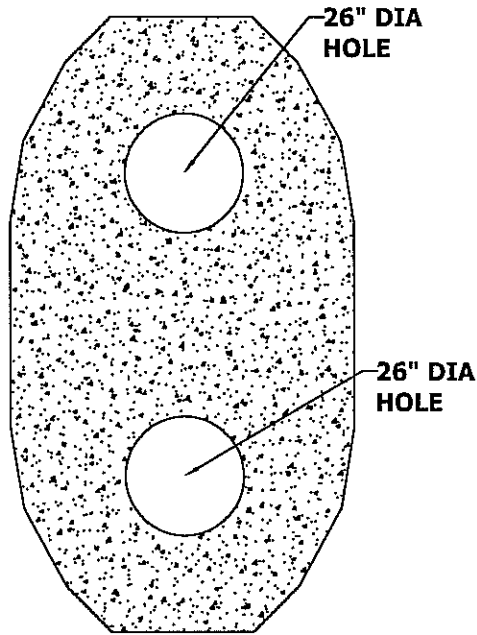
RELIABLE CONCRETE PRODUCTS
615 SCOTT* KANSAS CITY, KANSAS 66119

STRUCTURE DESIGNATION
1500 GAL INTERCEPTOR

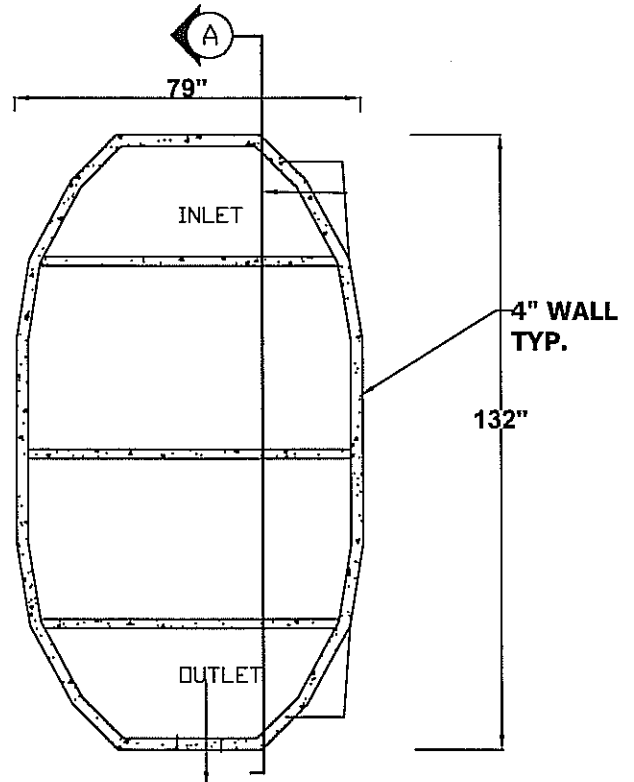
DATE
09/17/13

IN-RS/OUT-LE

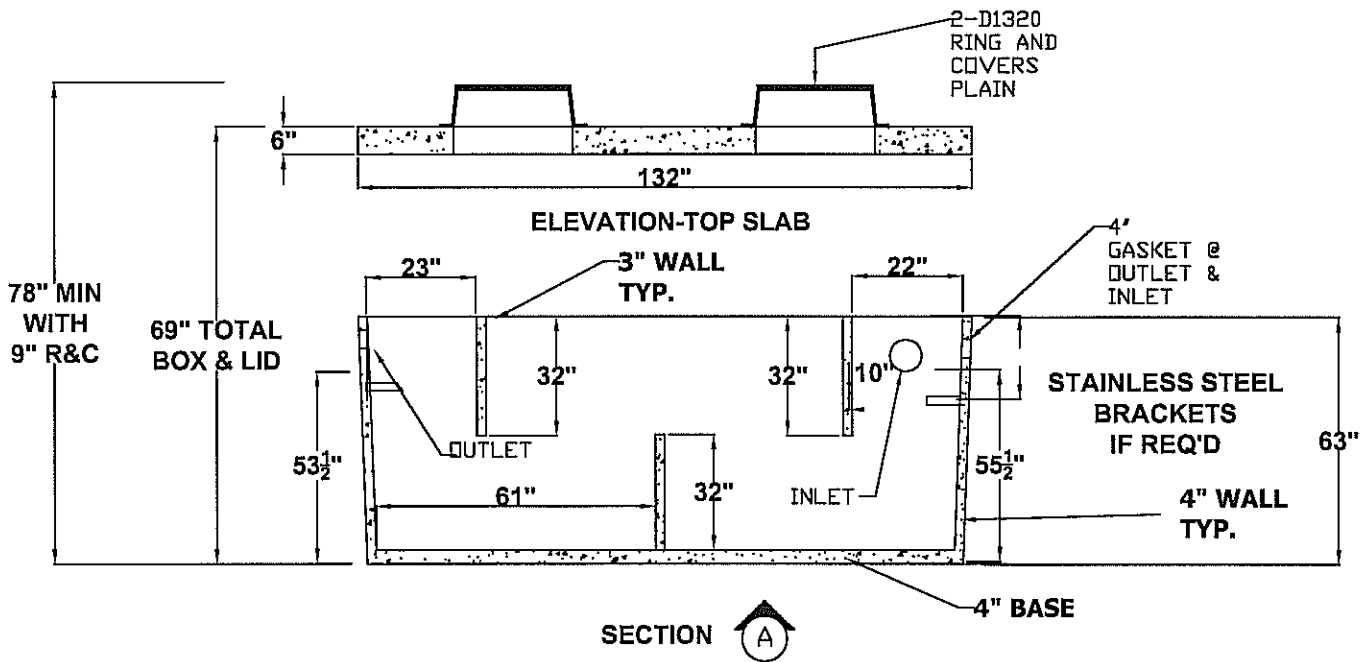
1500 GAL INTERCEPTOR



PLAN-TOP SLAB



PLAN-STRUCTURE



SECTION A

DIG HOLE SIZE= 12' X 7'

REBAR PLACEMENT
 #5 @ 12" C/C EA. WAY TOP SLAB
 #3 BAR AROUND TOP
 6X6X10X10 WIRE, BOTTOM AND SIDES

RELIABLE CONCRETE PRODUCTS
 615 SCOTT* KANSAS CITY, KANSAS 66119

STRUCTURE DESIGNATION
 1500 GAL INTERCEPTOR

DATE
 09/17/13