

CONTRACTOR

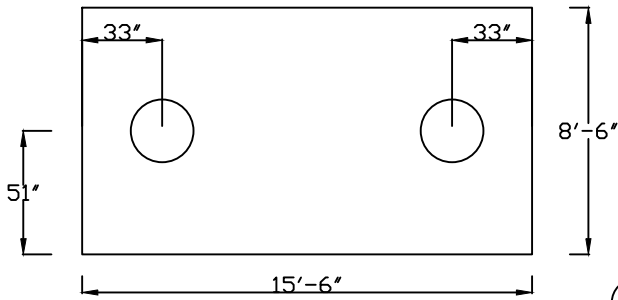
PROJECT **4000 GAL. GI**

WT. TOP SLAB 12880#

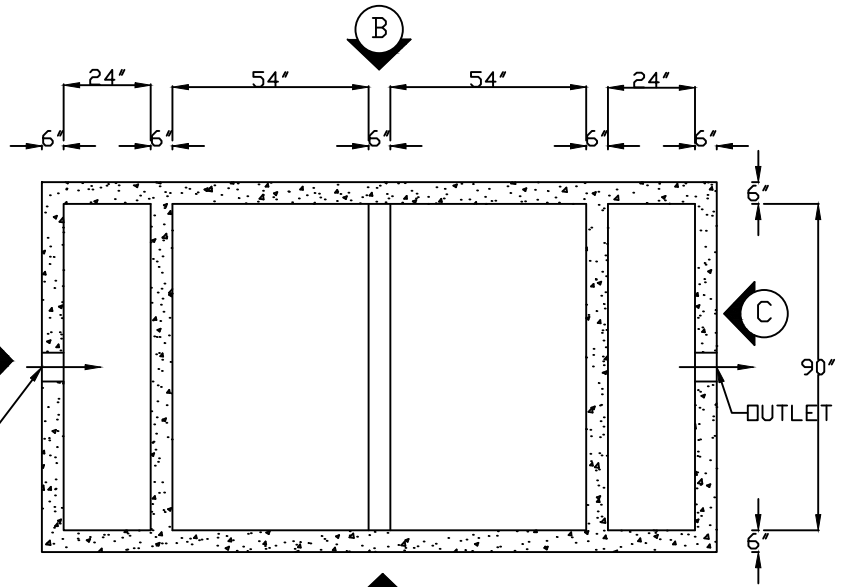
WT. TOP SECT #####

WT. MID SECT #####

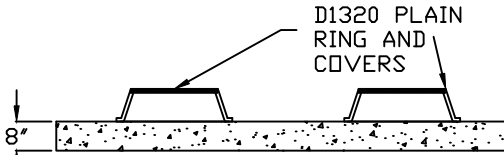
WT. BOT SECT 38610#



PLAN-TOP SLAB



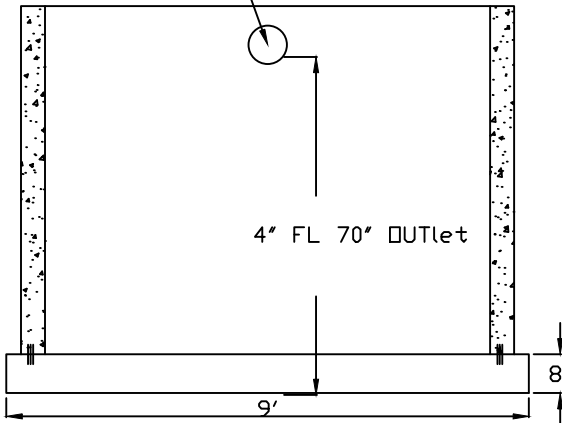
PLAN-STRUCTURE



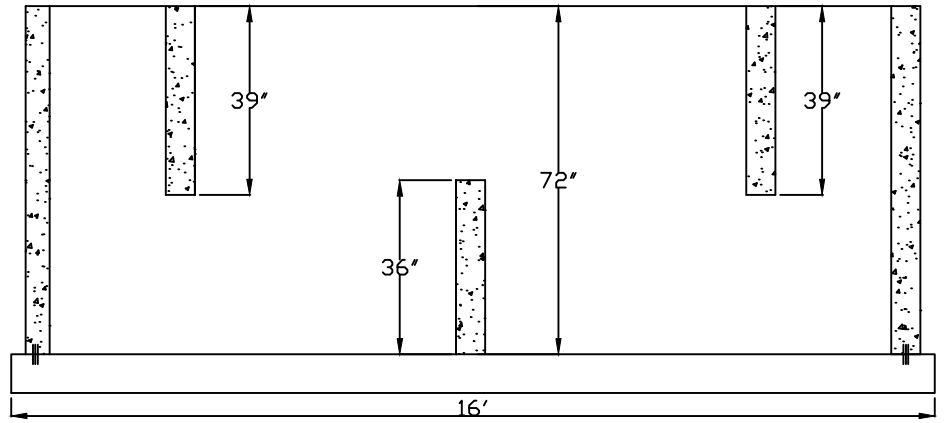
ELEVATION-TOP SLAB

4" GASKET

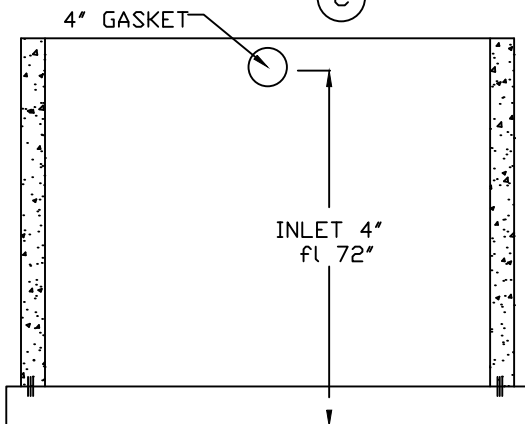
TOTAL (MIN) HT. = 8" BASE + 72" WALLS + 8" TOP SLAB + 9" R&C = 97"



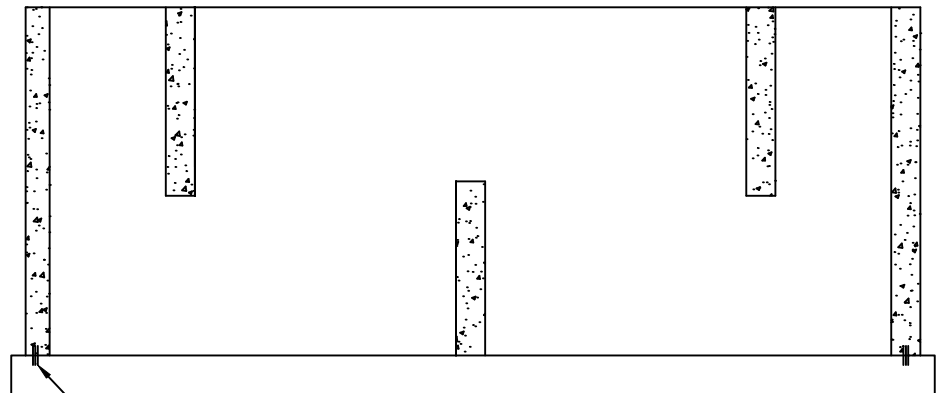
ELEVATION



ELEVATION



ELEVATION



ELEVATION



REBAR PLACEMENT

#4 @ 12" C/C EA. WAY WALLS

#5 @ 6" C/C EA. WAY TOP SLAB

#4 @ 6" C/C EA. WAY BOT SLAB