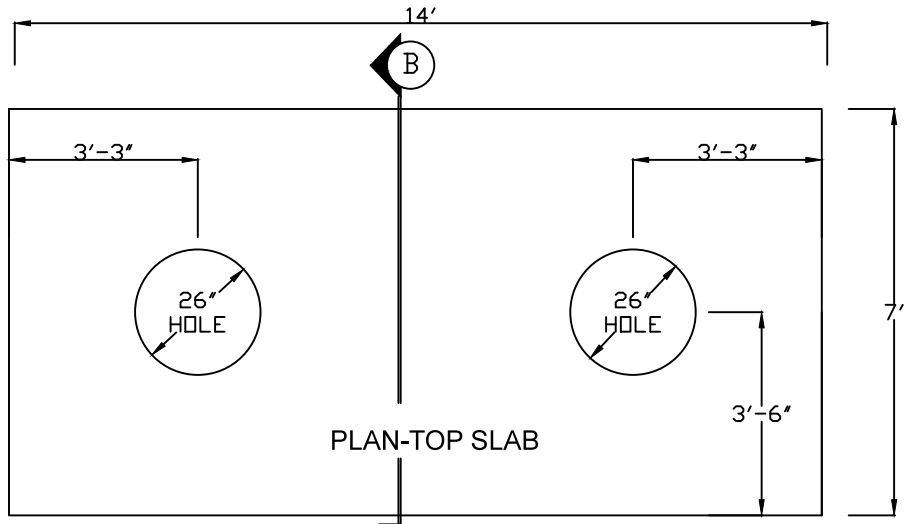


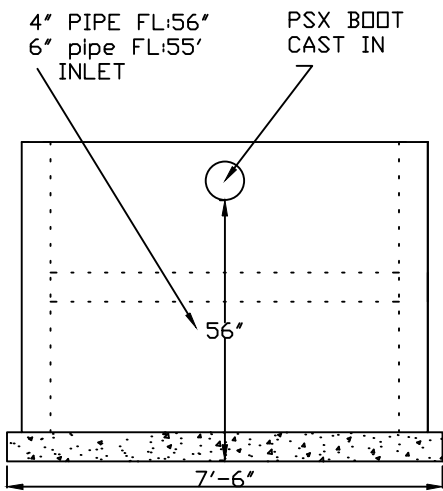
2500 GAL GREASE INTERCEPTOR



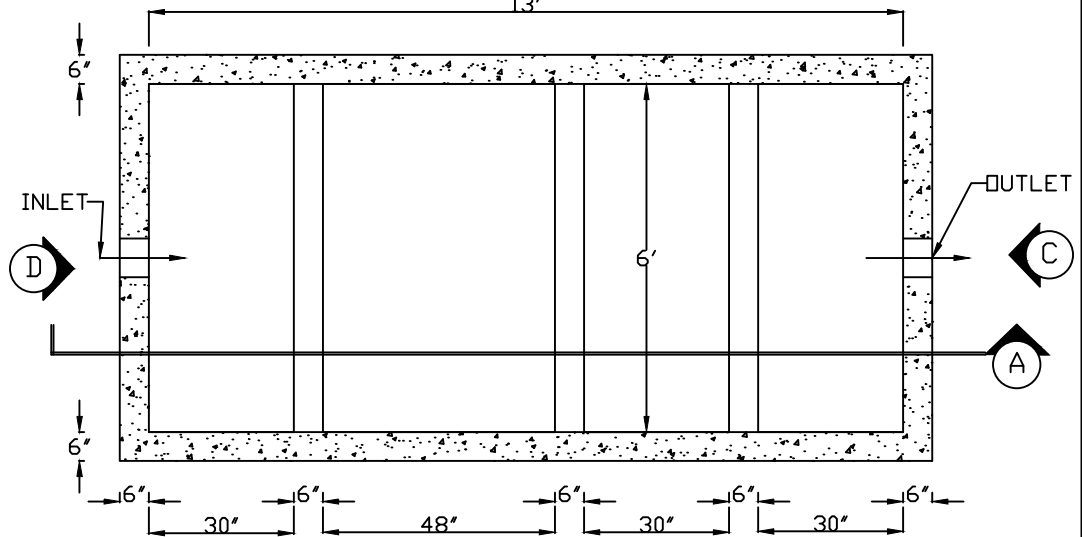
SECTION B



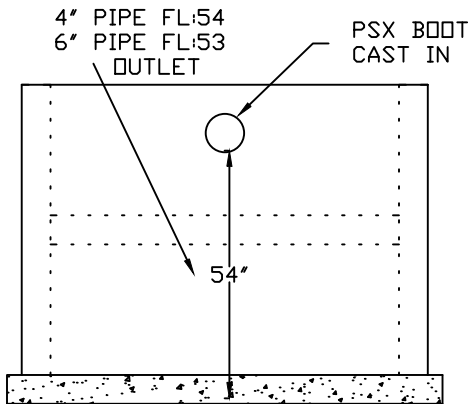
PLAN-TOP SLAB



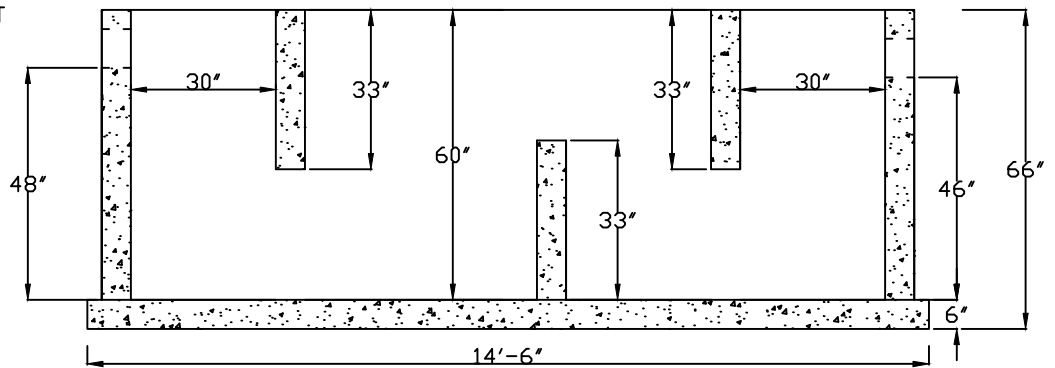
ELEVATION D



PLAN-STRUCTURE



ELEVATION C



SECTION A



WT. TOP SLAB 7059#
WT. STRUCTURE 26950#

REBAR PLACEMENT
#4 @ 12" C/C EA. WAY WALLS
#5 @ 6" C/C EA. WAY TOP SLAB
#4 @ 12" C/C EA. WAY BOT SLAB

TOTAL HEIGHT (MIN) = 66" + 6" + 9" RING & COVER = 81"