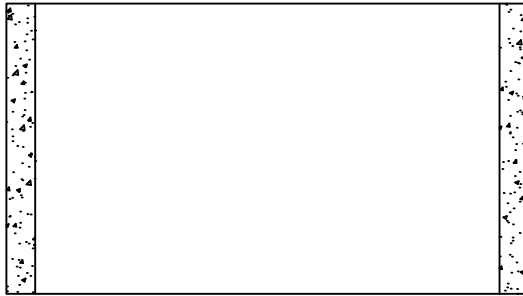
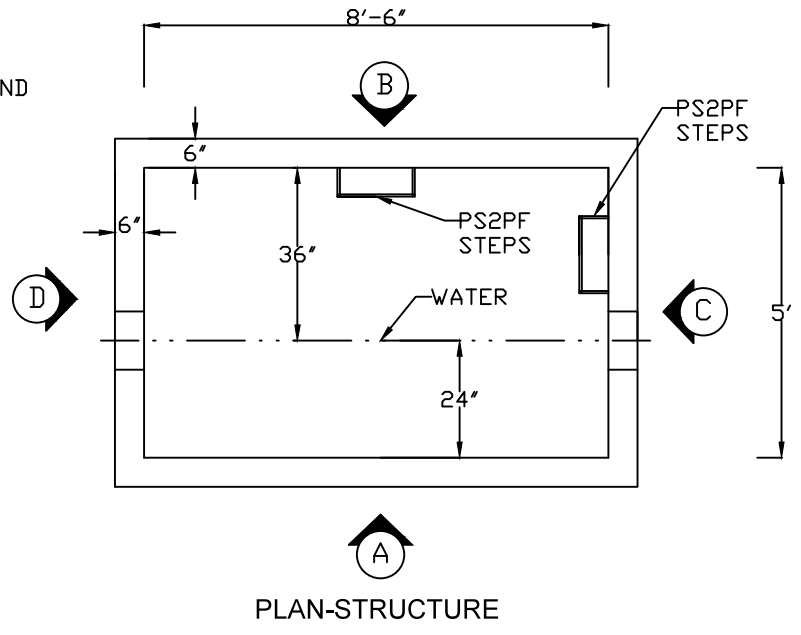
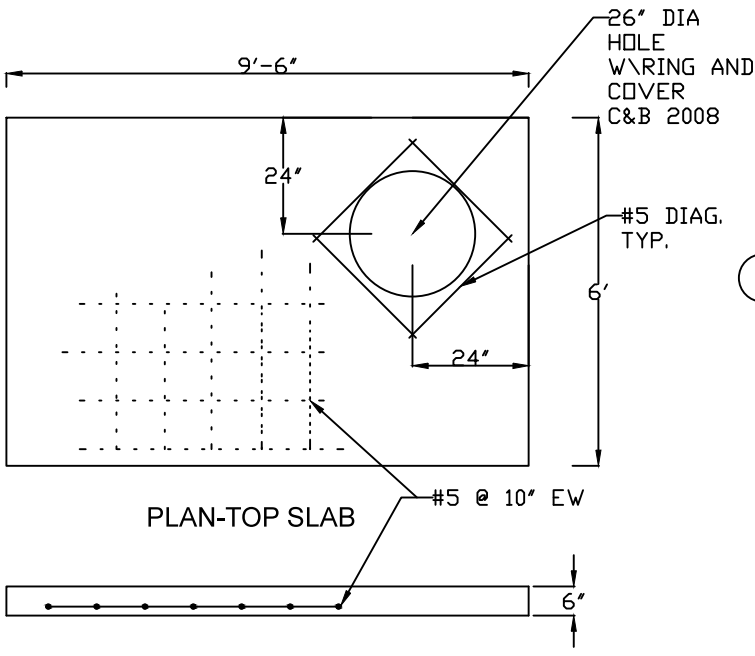


JO.CO.

8" BACKFLOW



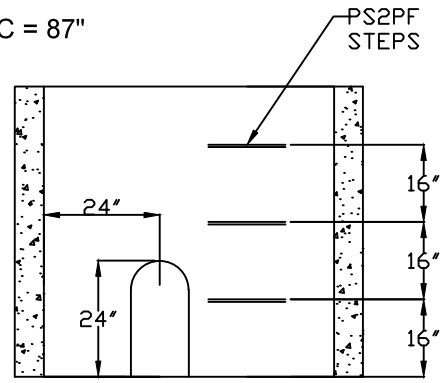
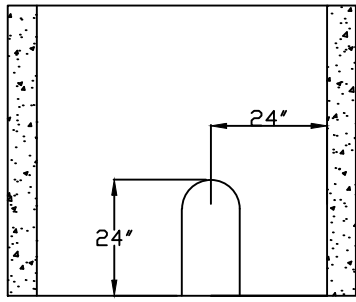
ELEVATION

ELEVATION

WT. TOP SLAB 4785#

WT. STRUCTURE 12615#

TOTAL HEIGHT 72" + 6" + 9"R&C = 87"



ELEVATION

ELEVATION

REBAR PLACEMENT

#5 @ 10" C/C EA. WAY WALLS

#5 @ 10" C/C EA. WAY TOP SLAB