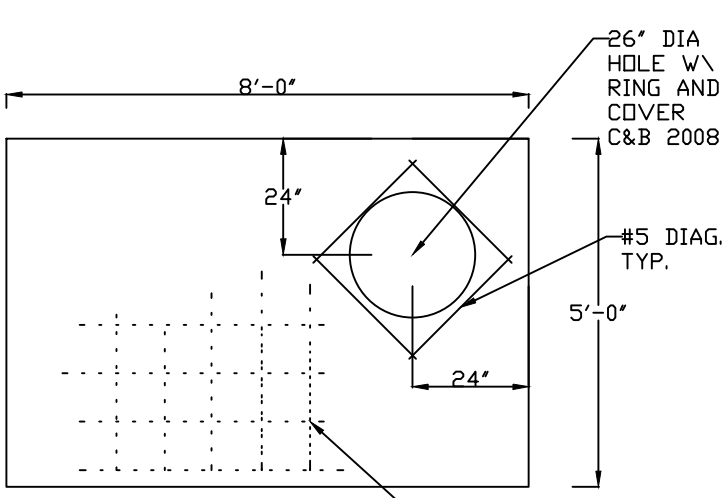
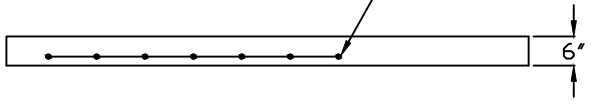


JO. CO.

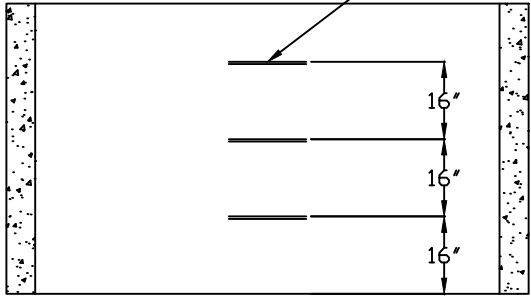
3" BACKFLOW



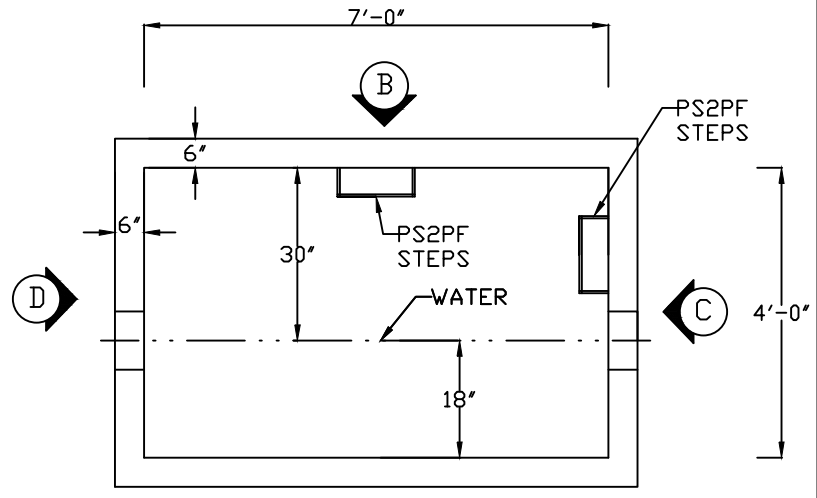
PLAN-TOP SLAB



ELEVATION-TOP SLAB

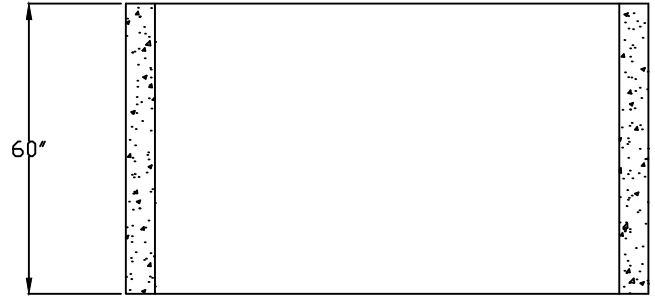


ELEVATION



PLAN-STRUCTURE

NOTE; OWNER OR CONTRACTOR MAY USE ADJ. RING OVER SLAB TO ALLOW GRASS TO GROW OVER SLAB.



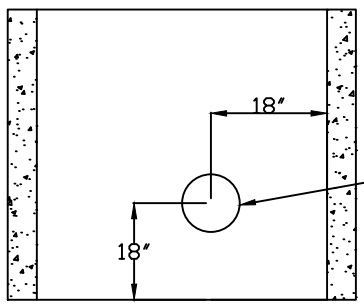
ELEVATION



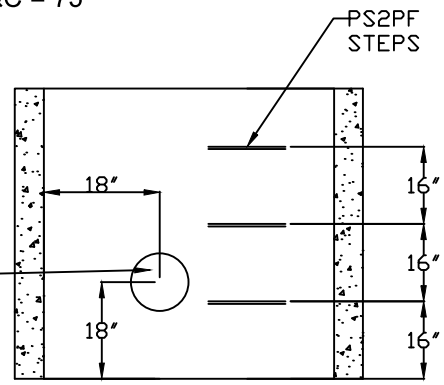
WT. TOP SLAB 2900#

WT. STRUCTURE 8700#

TOTAL HEIGHT 60" + 6" + 9" R&C = 75"



ELEVATION



ELEVATION



REBAR PLACEMENT

#5 @ 10" C/C EA. WAY WALLS

#5 @ 10" C/C EA. WAY TOP SLAB