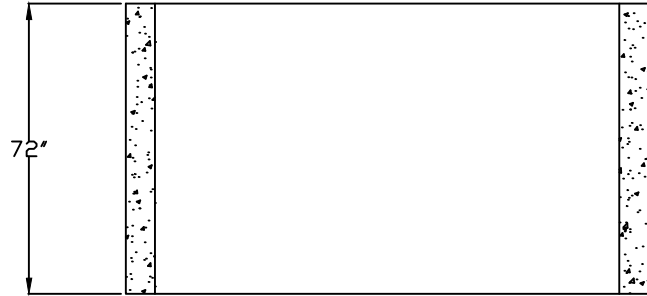
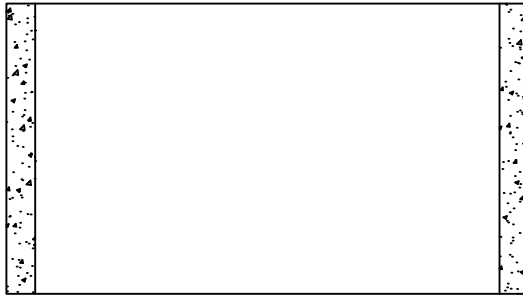
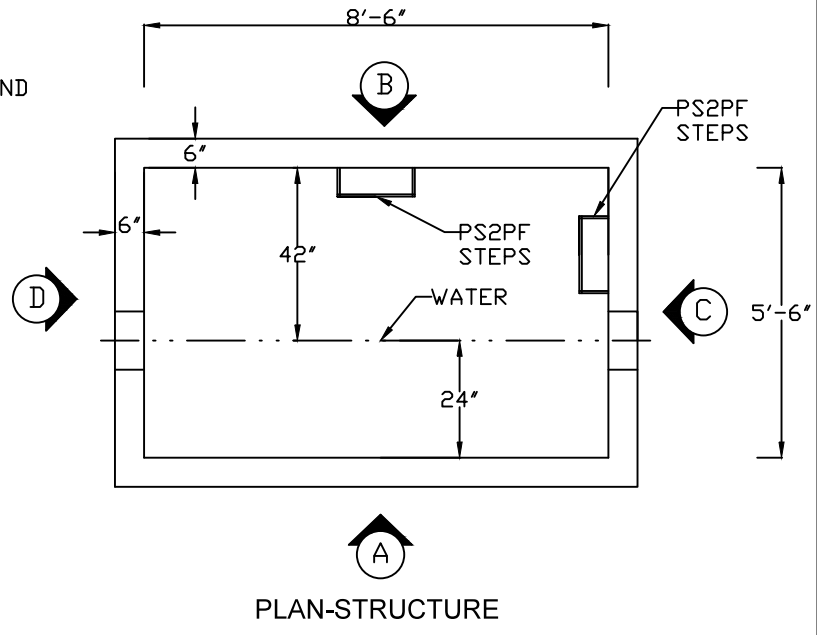
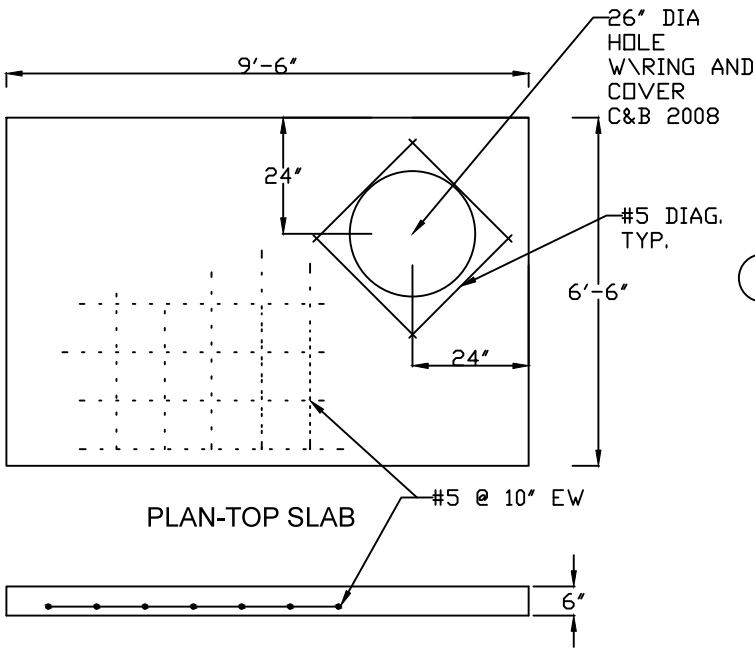


JO. CO.

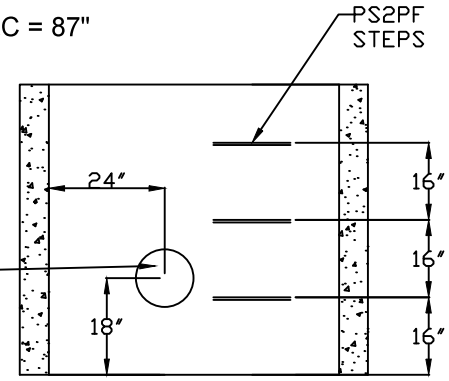
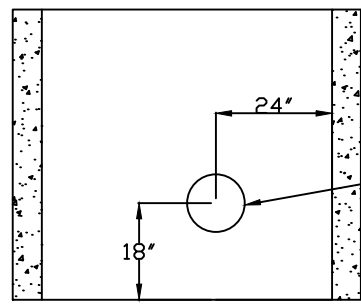
10" BACKFLOW



ELEVATION B

ELEVATION A

WT. TOP SLAB 4477#
 WT. STRUCTURE 13050#
 TOTAL HEIGHT 72" + 6" + 9"R&C = 87"



ELEVATION D

ELEVATION C

REBAR PLACEMENT
 #5 @ 10" C/C EA. WAY WALLS
 #5 @ 10" C/C EA. WAY TOP SLAB