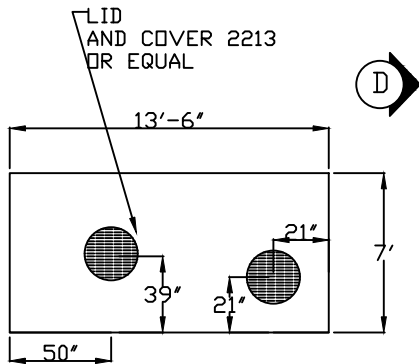
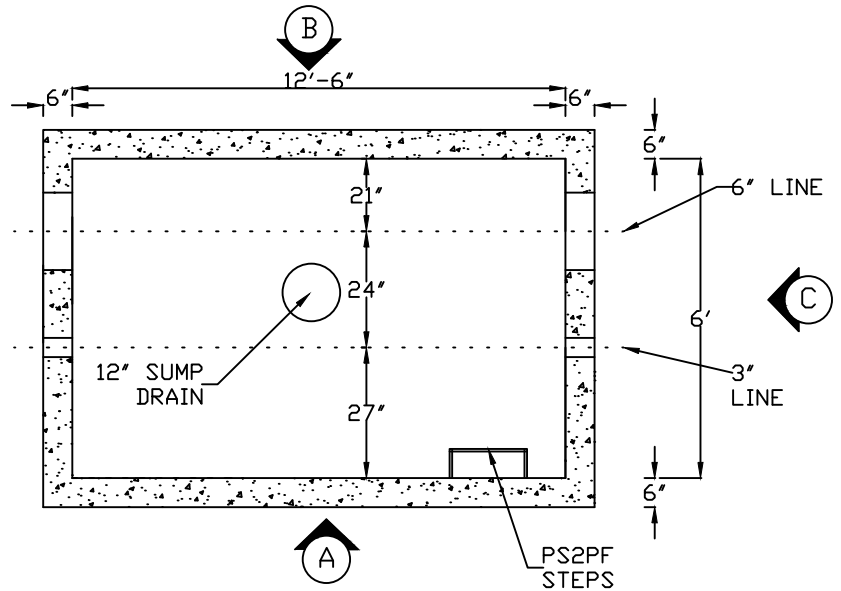


REBAR PLACEMENT

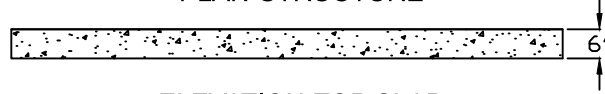
- #4 @ 10" C/C EA. WAY WALLS
- #4 @ 10" C/C EA. WAY TOP SLAB
- #4 @ 10" C/C EA. WAY BOT SLAB



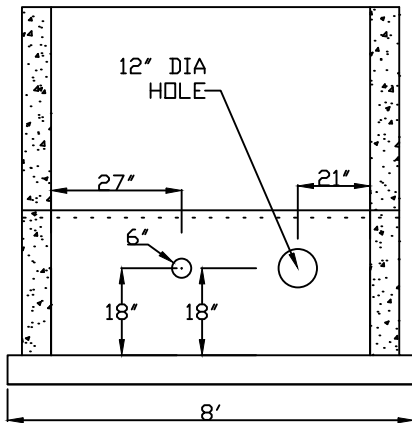
PLAN-TOP SLAB



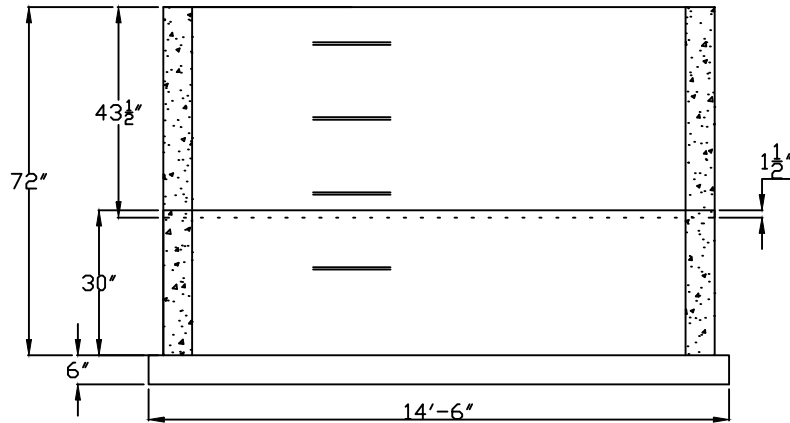
PLAN-STRUCTURE



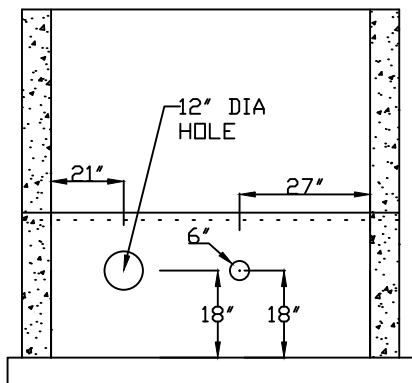
ELEVATION-TOP SLAB



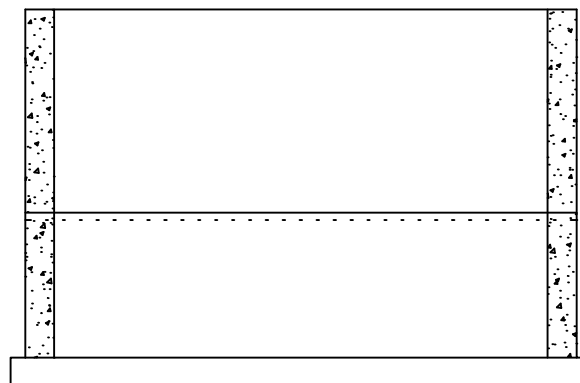
ELEVATION



ELEVATION



ELEVATION



ELEVATION



WT. TOP SLAB 6851#
 WT. TOP SECT 10247#
 WT. BOT SECT W/BASE 15478#