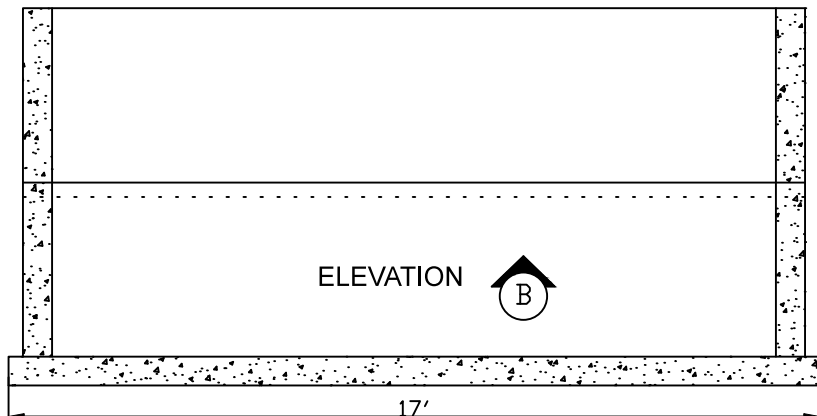
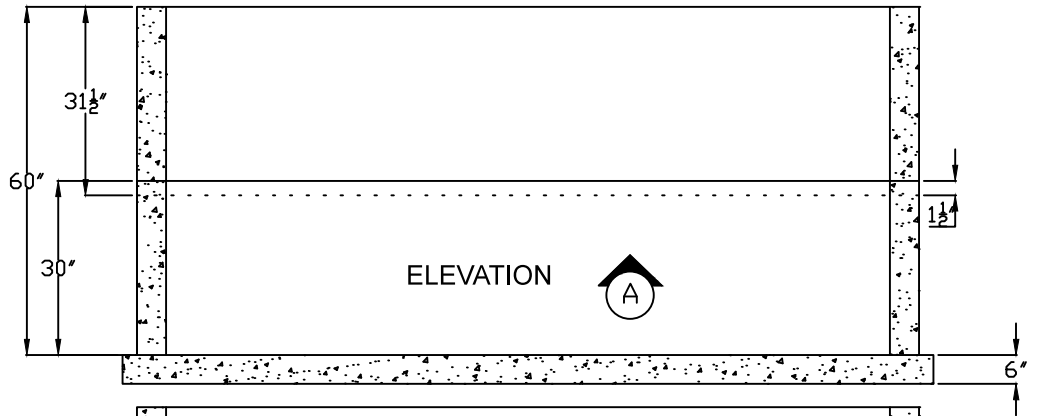
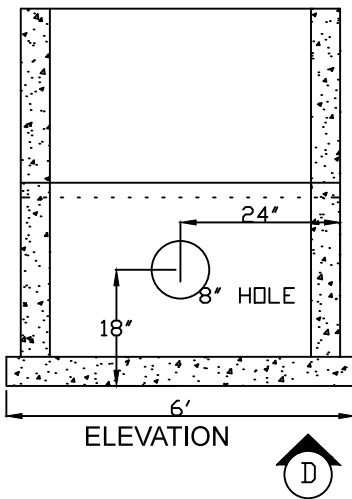
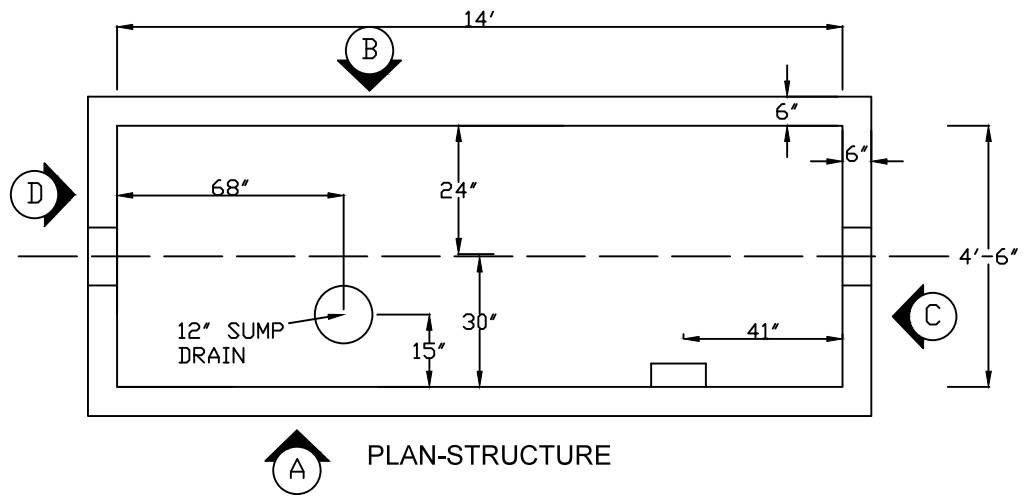
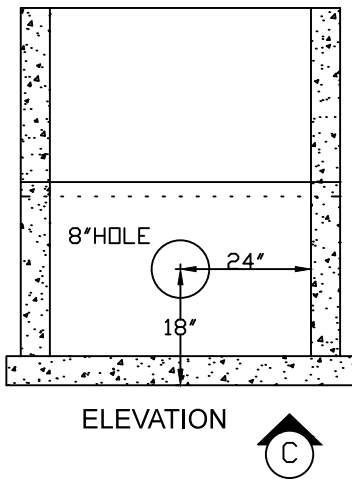
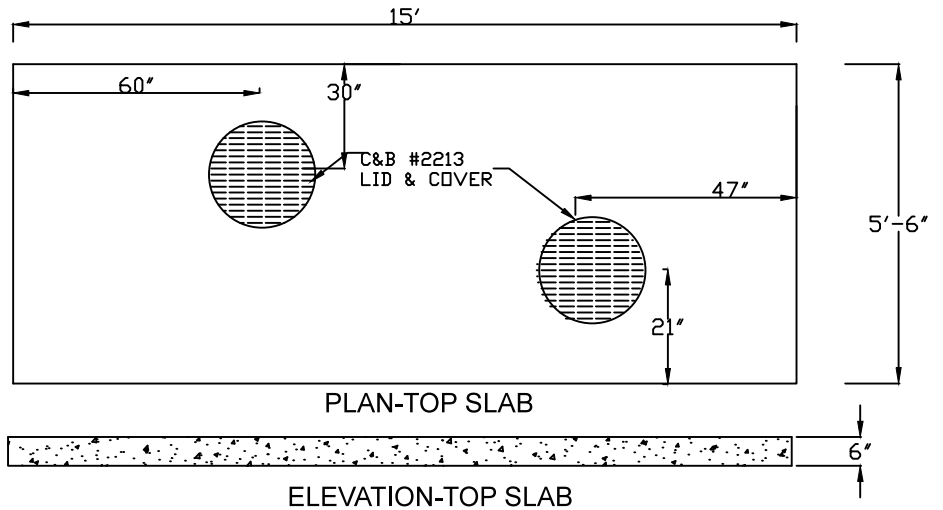


REBAR PLACEMENT

- #4 @ 10" C/C EA. WAY WALLS
- #4 @ 10" C/C EA. WAY TOP SLAB
- #4 @ 10" C/C EA. WAY BOT SLAB



WT. TOP SLAB 8442#  
 WT. TOP SECT. 7350#  
 WT. BOT. SECT.WBASE 17960#