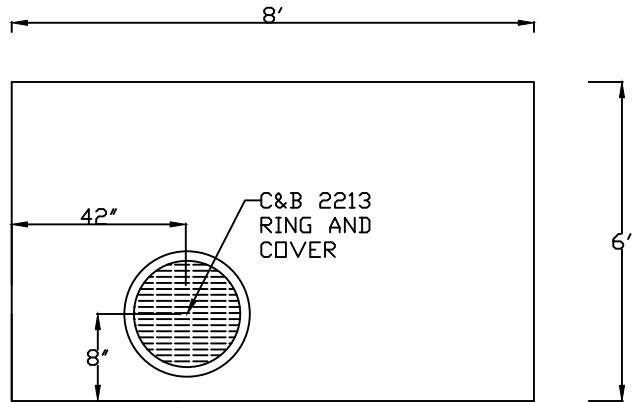


REBAR PLACEMENT

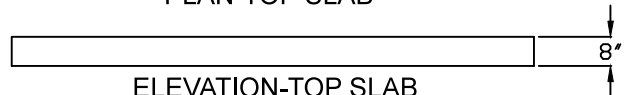
- #4 @ 10" C/C EA. WAY WALLS
- #4 @ 10" C/C EA. WAY TOP SLAB
- #4 @ 10" C/C EA. WAY BOT SLAB

WT. TOP SLAB 4824#

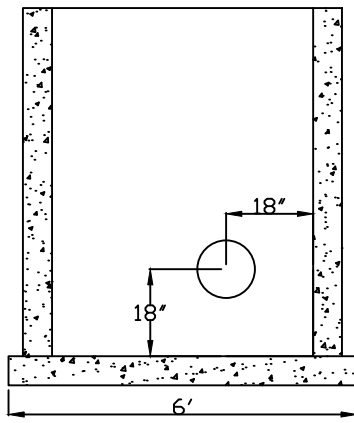
WT BOT. SECT. W/SLAB 15750#



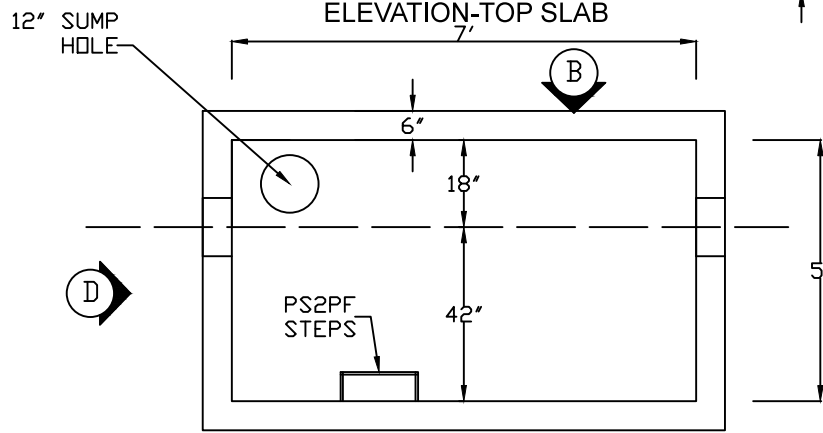
PLAN-TOP SLAB



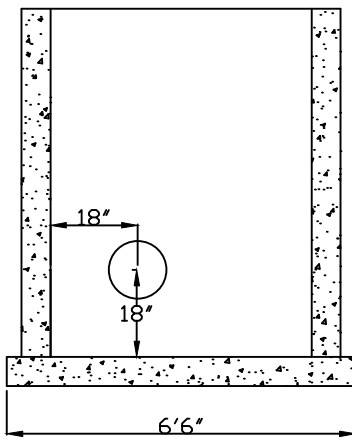
ELEVATION-TOP SLAB



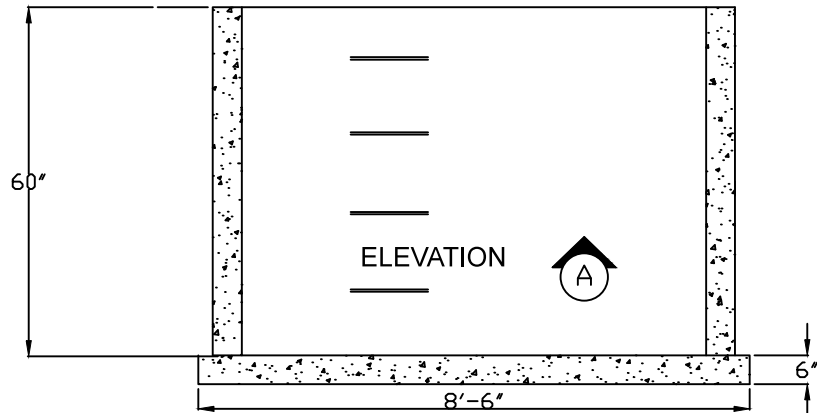
ELEVATION



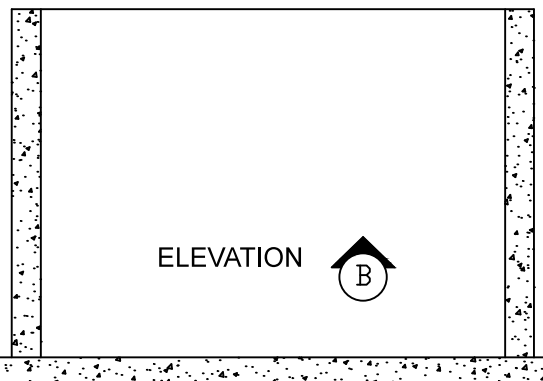
PLAN-STRUCTURE



ELEVATION



ELEVATION



ELEVATION

