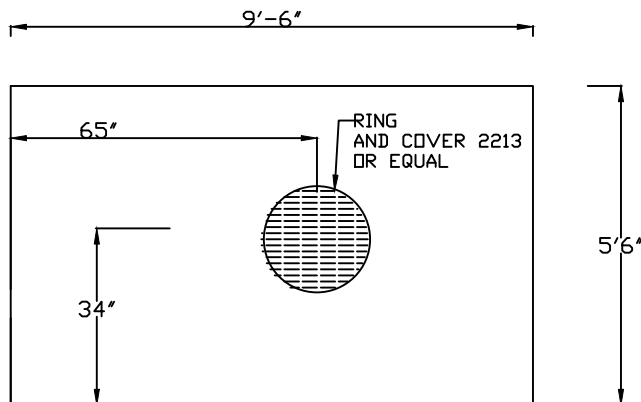


REBAR PLACEMENT

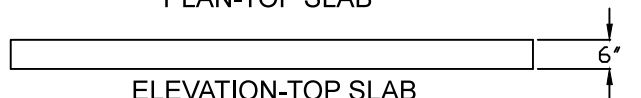
- #4 @ 10" C/C EA. WAY WALLS
- #4 @ 10" C/C EA. WAY TOP SLAB
- #4 @ 10" C/C EA. WAY BOT SLAB

WT. TOP SLAB 5259#

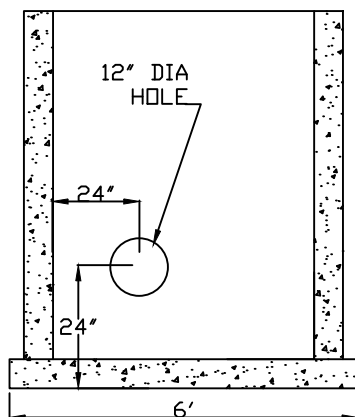
WT BOT. SECT. W/SLAB 17359#



PLAN-TOP SLAB



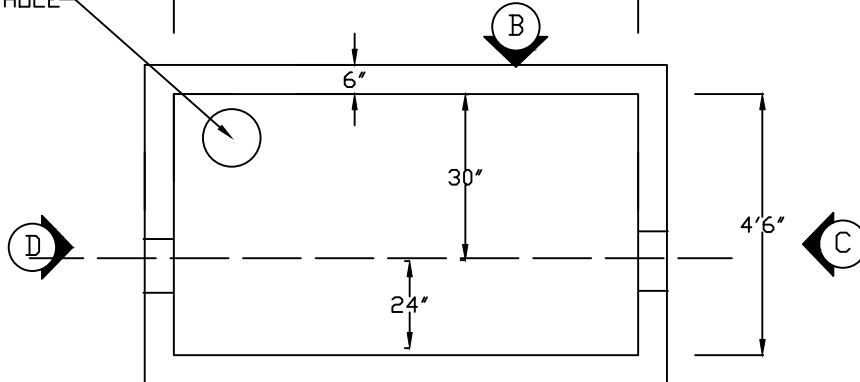
ELEVATION-TOP SLAB



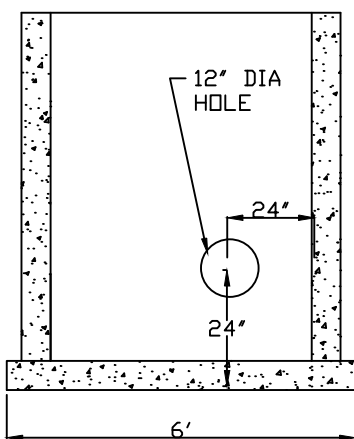
ELEVATION



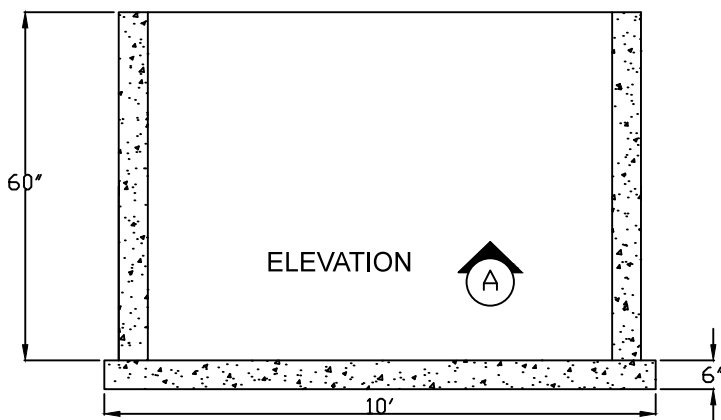
12" SUMP HOLE



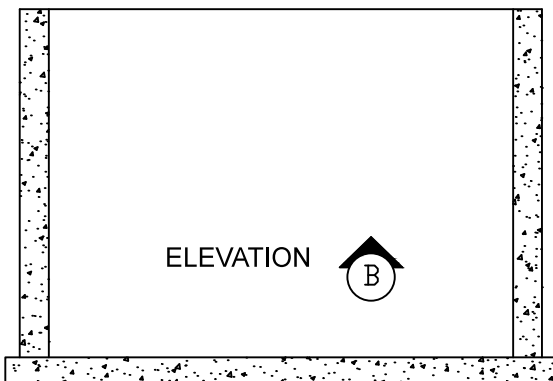
PLAN-STRUCTURE



ELEVATION



ELEVATION



ELEVATION

