

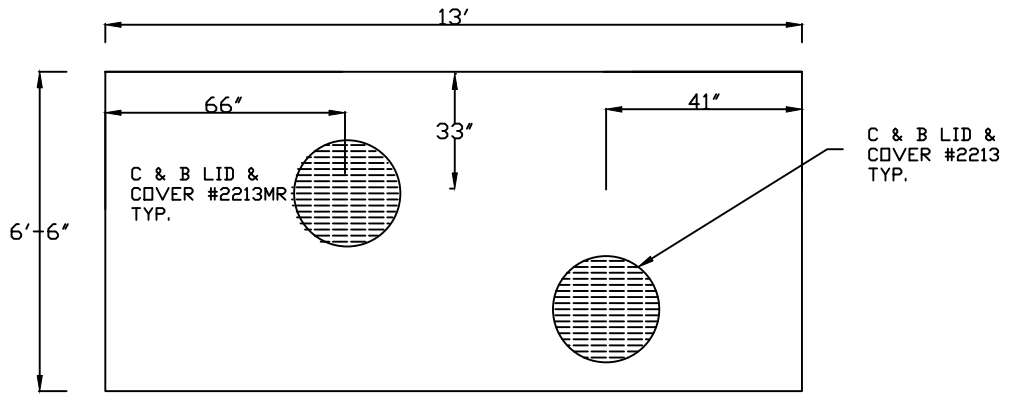
CONTRACTOR

PROJECT  
3" METER W/ 3" DOUBLE CHECK

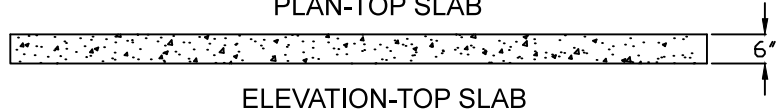
REBAR PLACEMENT

- #4 @ 10" C/C EA. WAY WALLS
- #4 @ 10" C/C EA. WAY TOP SLAB
- #4 @ 10" C/C EA. WAY BOT SLAB

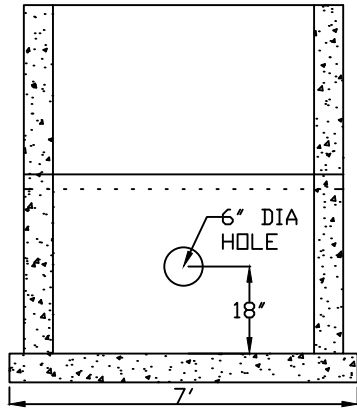
WT. TOP SLAB 8492#  
 WT TOP SECT. 8325#  
 WT BOT. SECT. W/SLAB 16103#



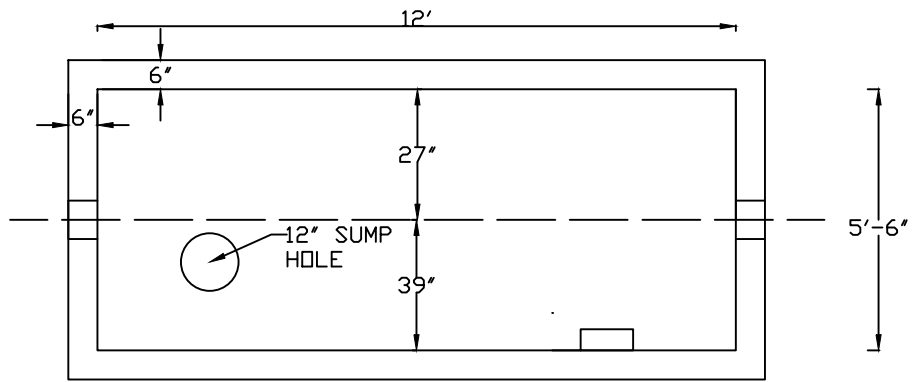
PLAN-TOP SLAB



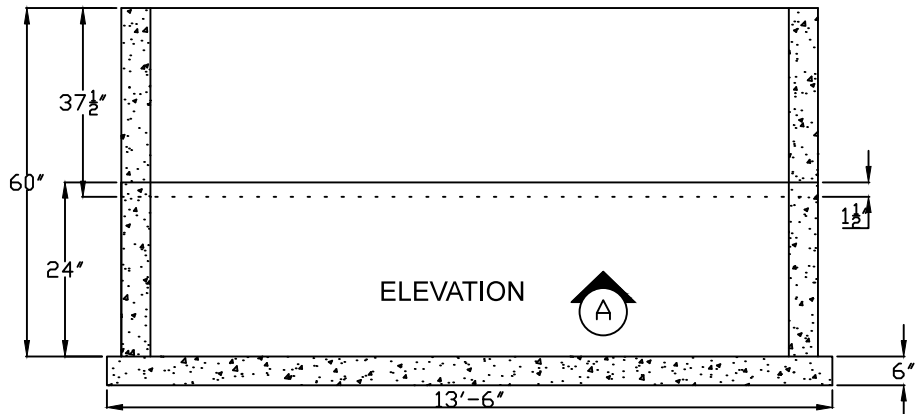
ELEVATION-TOP SLAB



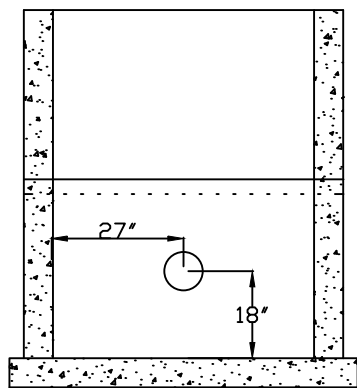
ELEVATION



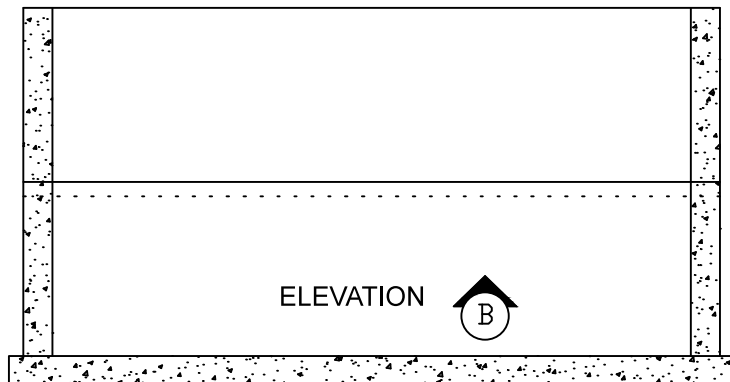
PLAN-STRUCTURE



ELEVATION



ELEVATION



ELEVATION

