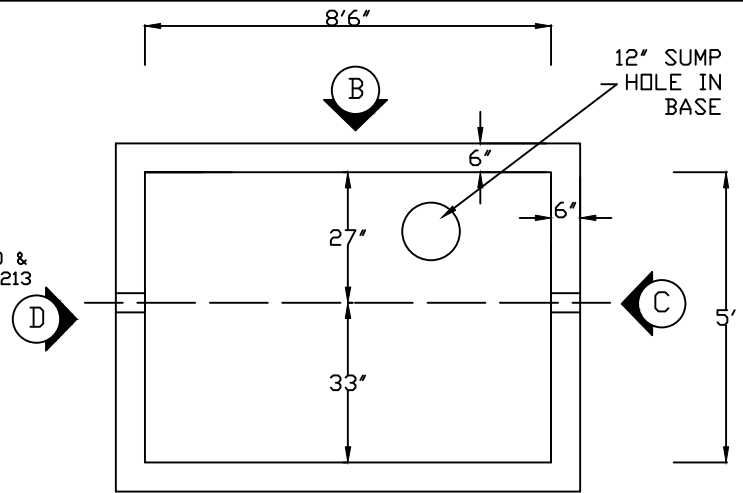


PLAN-TOP SLAB



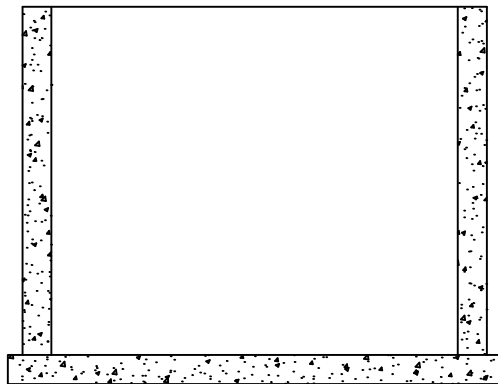
PLAN-STRUCTURE

REBAR PLACEMENT

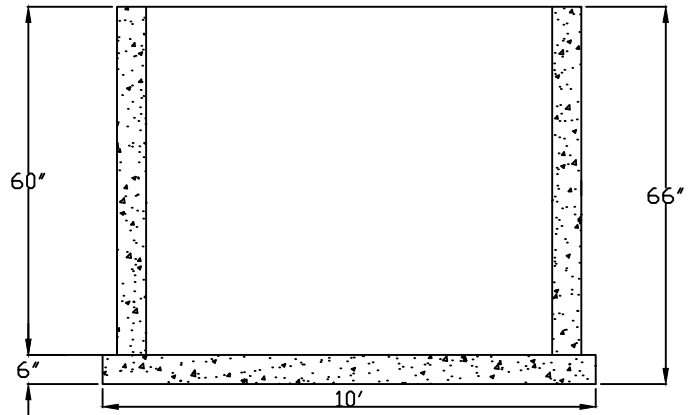
- #4 @ 10" C/C EA. WAY WALLS
- #4 @ 10" C/C EA. WAY TOP SLAB
- #4 @ 10" C/C EA. WAY BOT SLAB



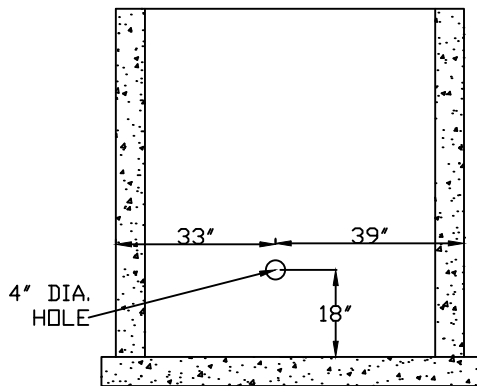
ELEVATION-TOP SLAB



ELEVATION

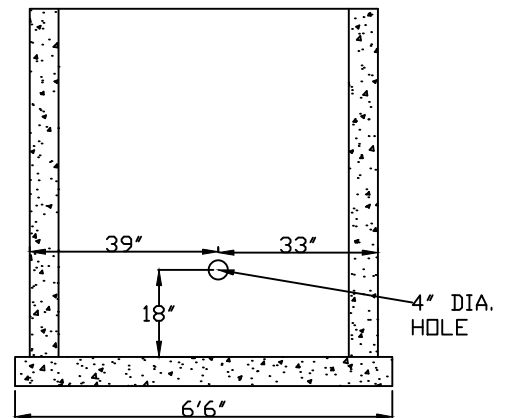


ELEVATION



ELEVATION

WT. TOP SLAB 4132#
 WEIGHT WITH BASE 16827 #



ELEVATION