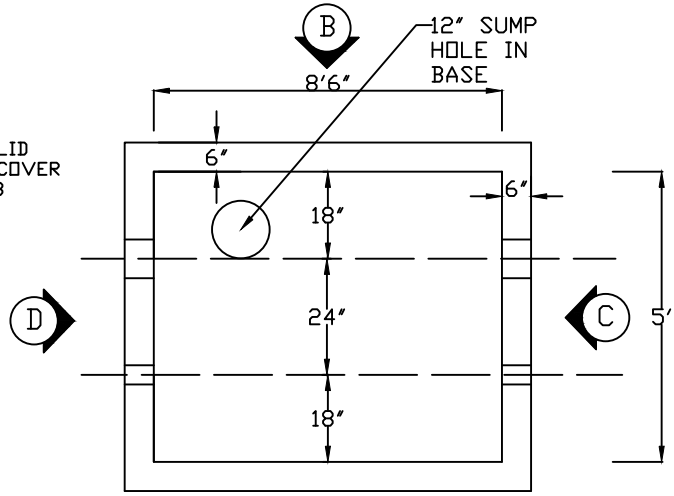


PLAN-TOP SLAB



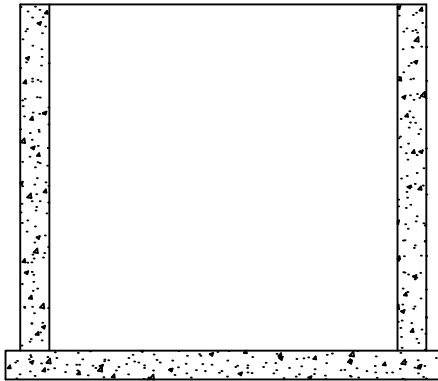
PLAN-STRUCTURE

REBAR PLACEMENT

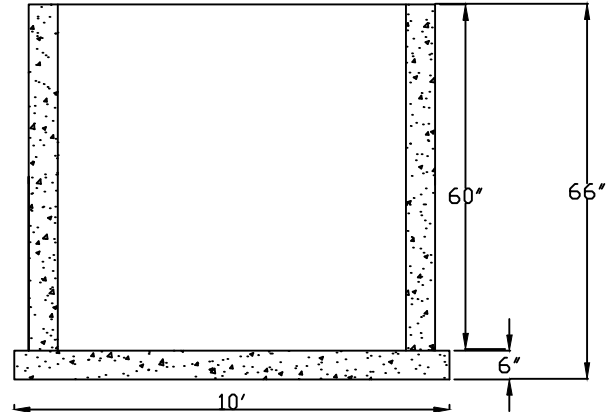
- #4 @ 10" C/C EA. WAY WALLS
- #4 @ 10" C/C EA. WAY TOP SLAB
- #4 @ 10" C/C EA. WAY BOT SLAB



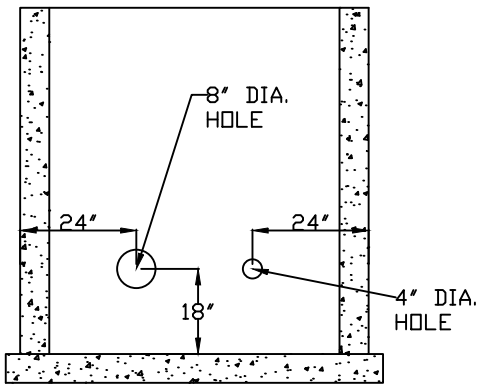
ELEVATION-TOP SLAB



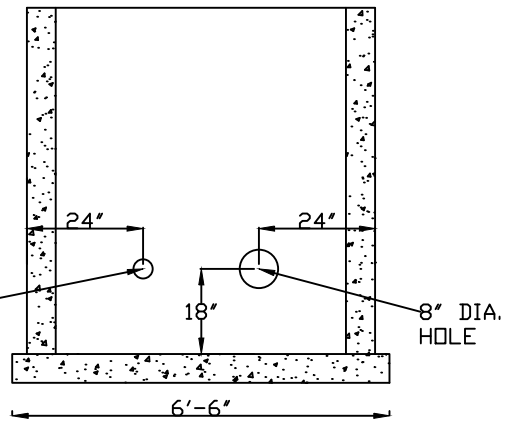
ELEVATION **B**



ELEVATION **A**



ELEVATION **D**



ELEVATION **C**

WT. TOP SLAB 4132#
 WT. BOT SECT. W/ BASE 16827#