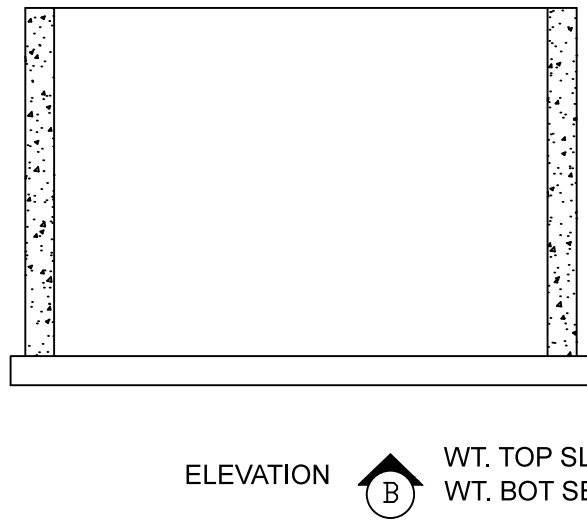
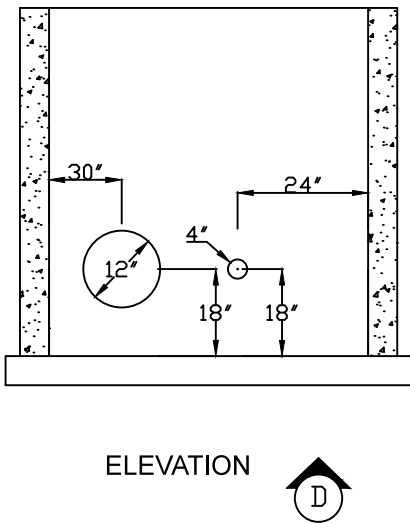
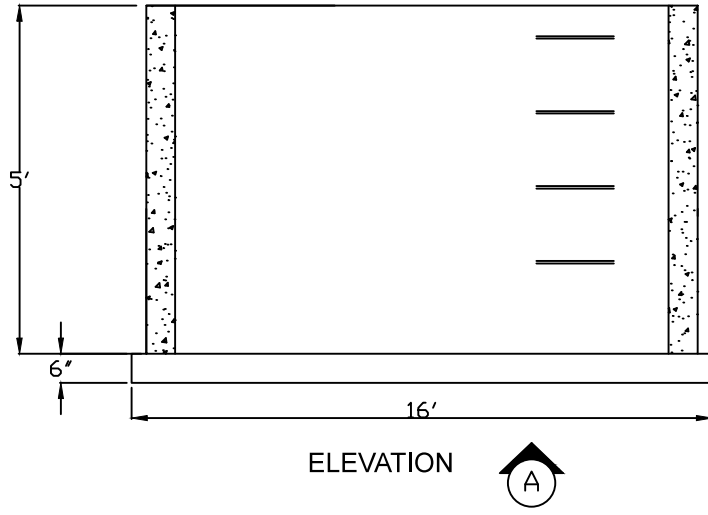
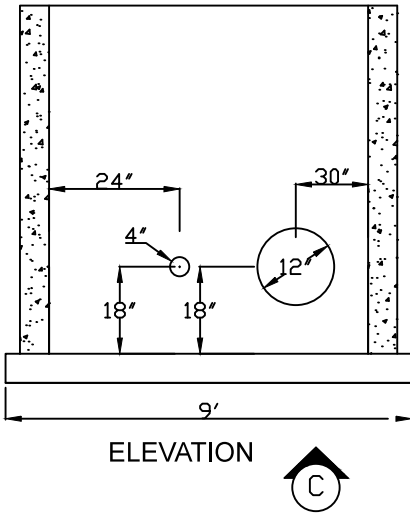
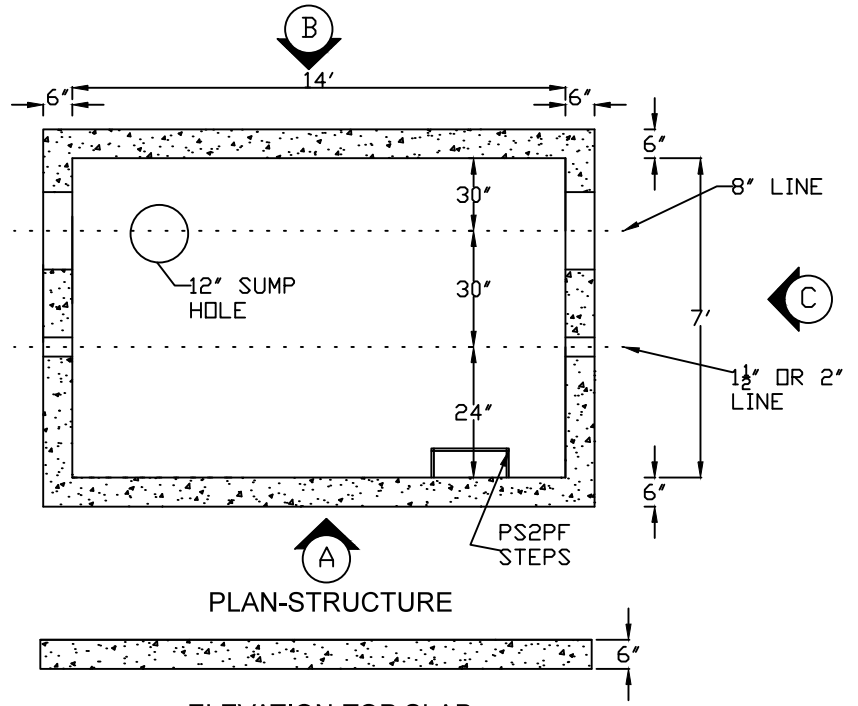
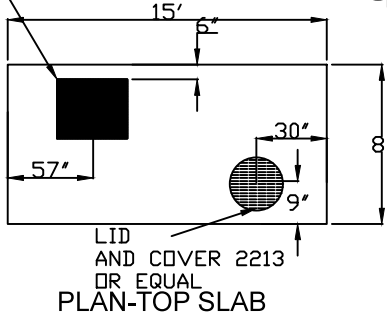


REBAR PLACEMENT

- #4 @ 10" C/C EA. WAY WALLS
- #4 @ 10" C/C EA. WAY TOP SLAB
- #4 @ 10" C/C EA. WAY BOT SLAB

USF APS 300  
42X42 AL HATCH  
W/SLAMLOCK



WT. TOP SLAB 9000#  
WT. BOT SECT W/BASE 27300#