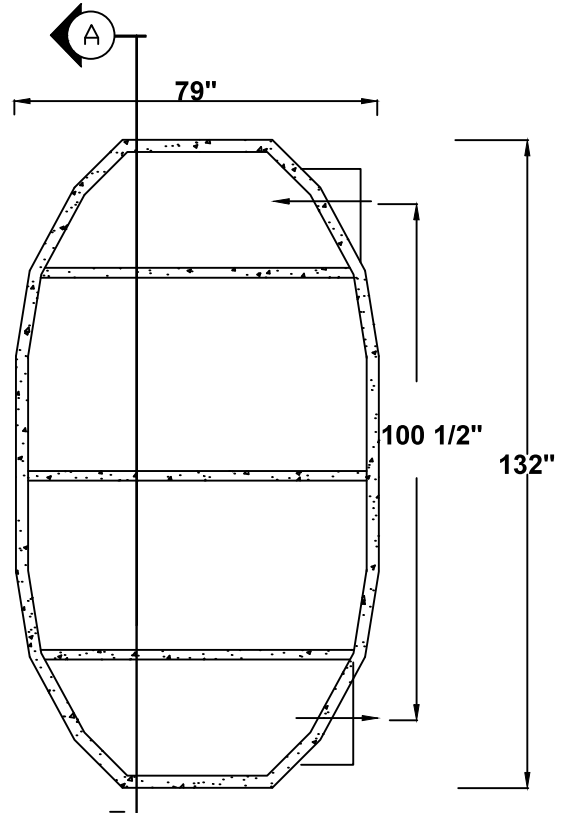
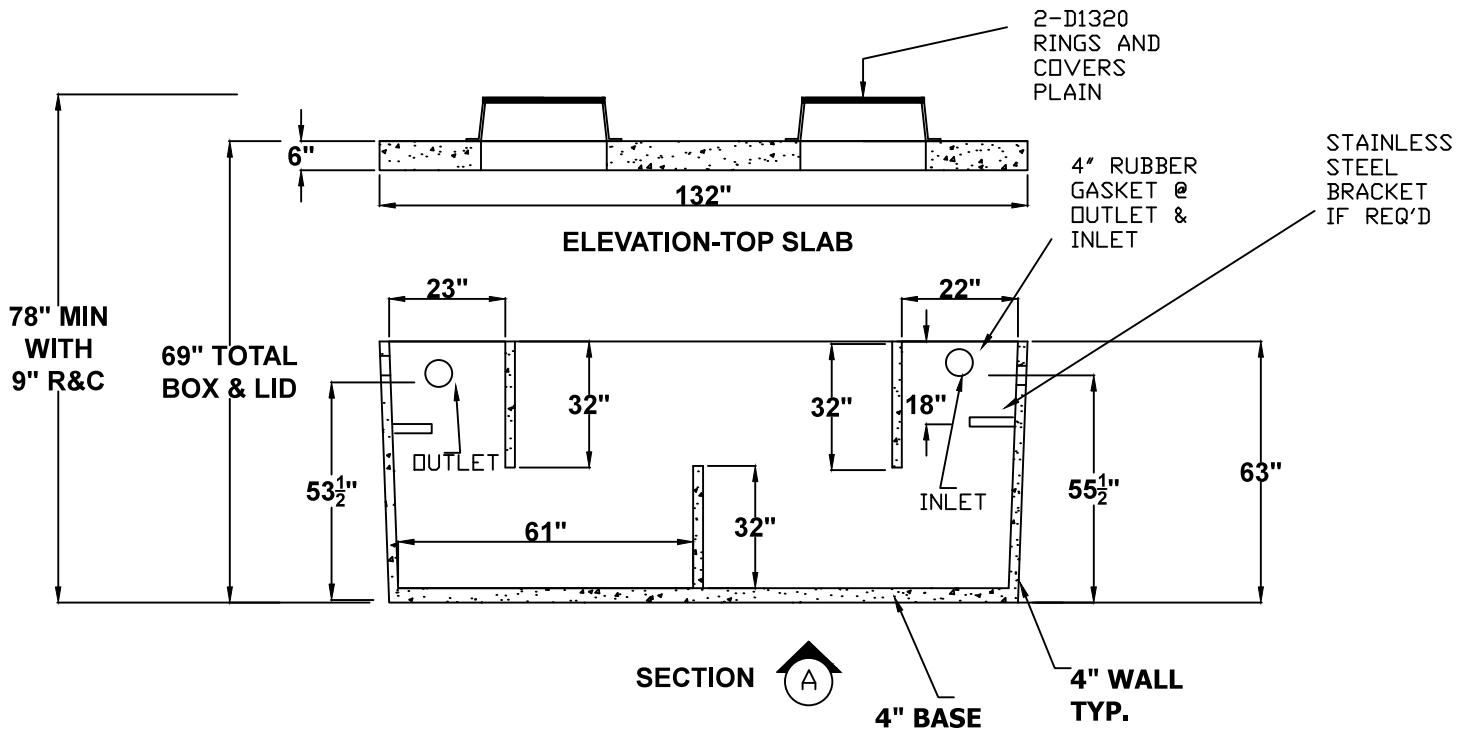


PLAN-TOP SLAB



PLAN-STRUCTURE



DIG HOLE SIZE= 12' X 7'

REBAR PLACEMENT
 #5 @ 12" C/C EA. WAY TOP SLAB
 #3 BAR AROUND TOP
 6X6X10X10 WIRE, BOTTOM AND SIDES