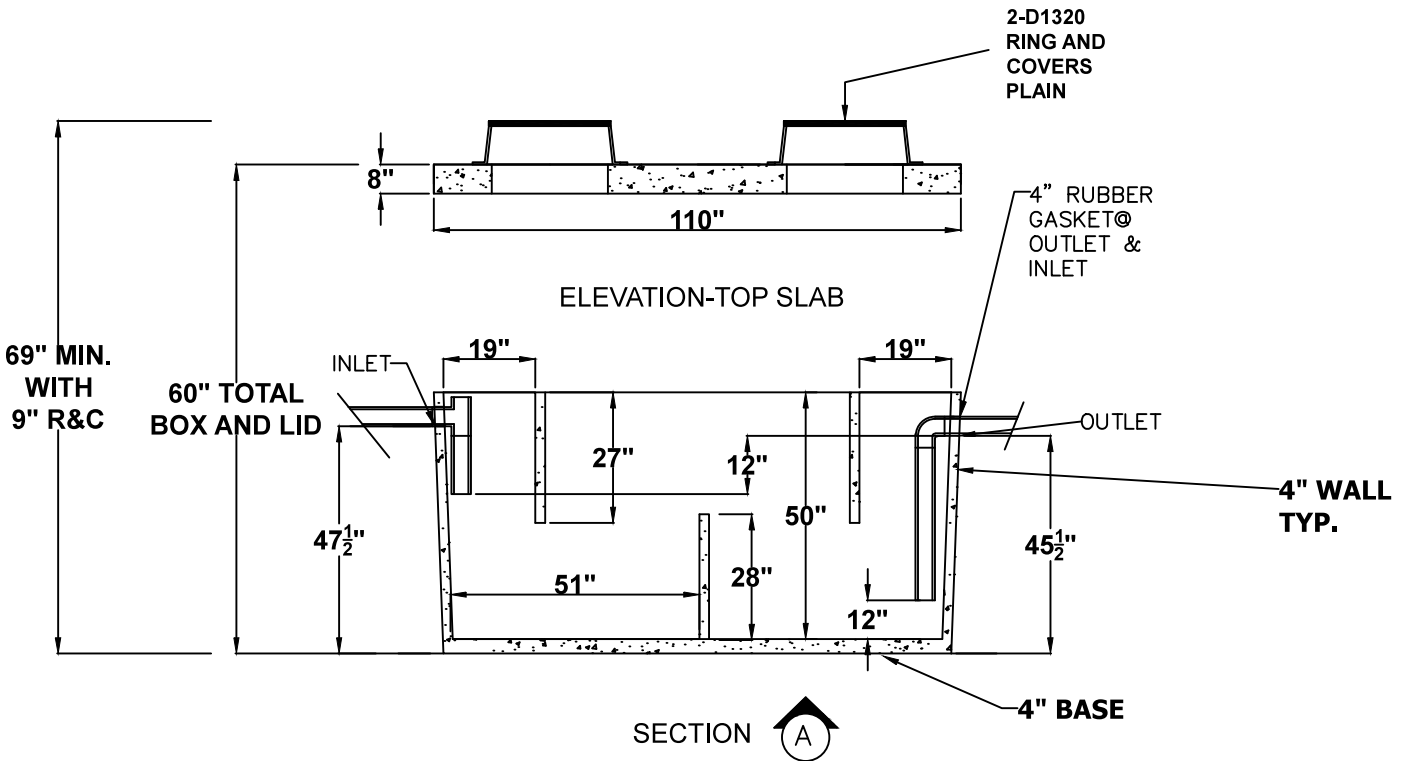
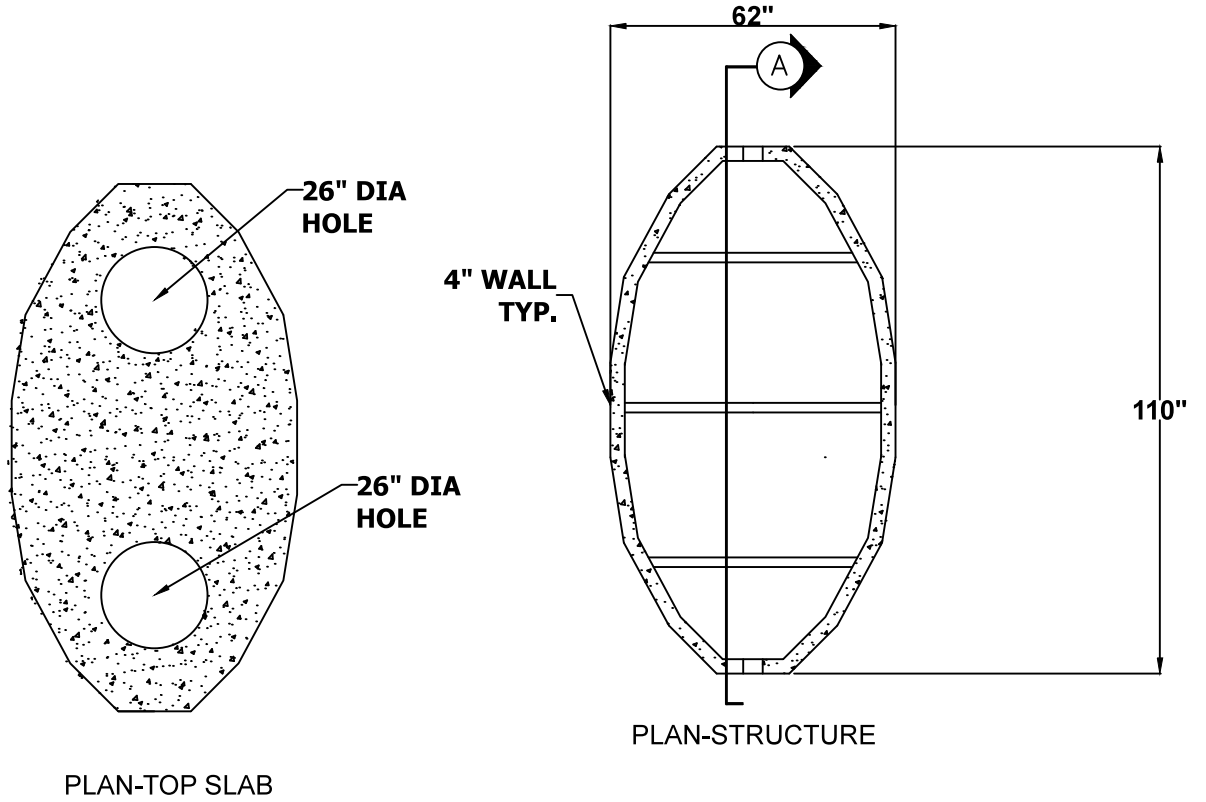


# 1000 GAL INTERCEPTOR



DIG HOLE SIZE  
10' X 6'

REBAR PLACEMENT  
#5 @ 12" C/C EA. WAY TOP SLAB  
#3 BAR AROUND TOP  
6X6X10X10 WIRE, BOTTOM AND SIDES  
4000 PSI CONCRETE