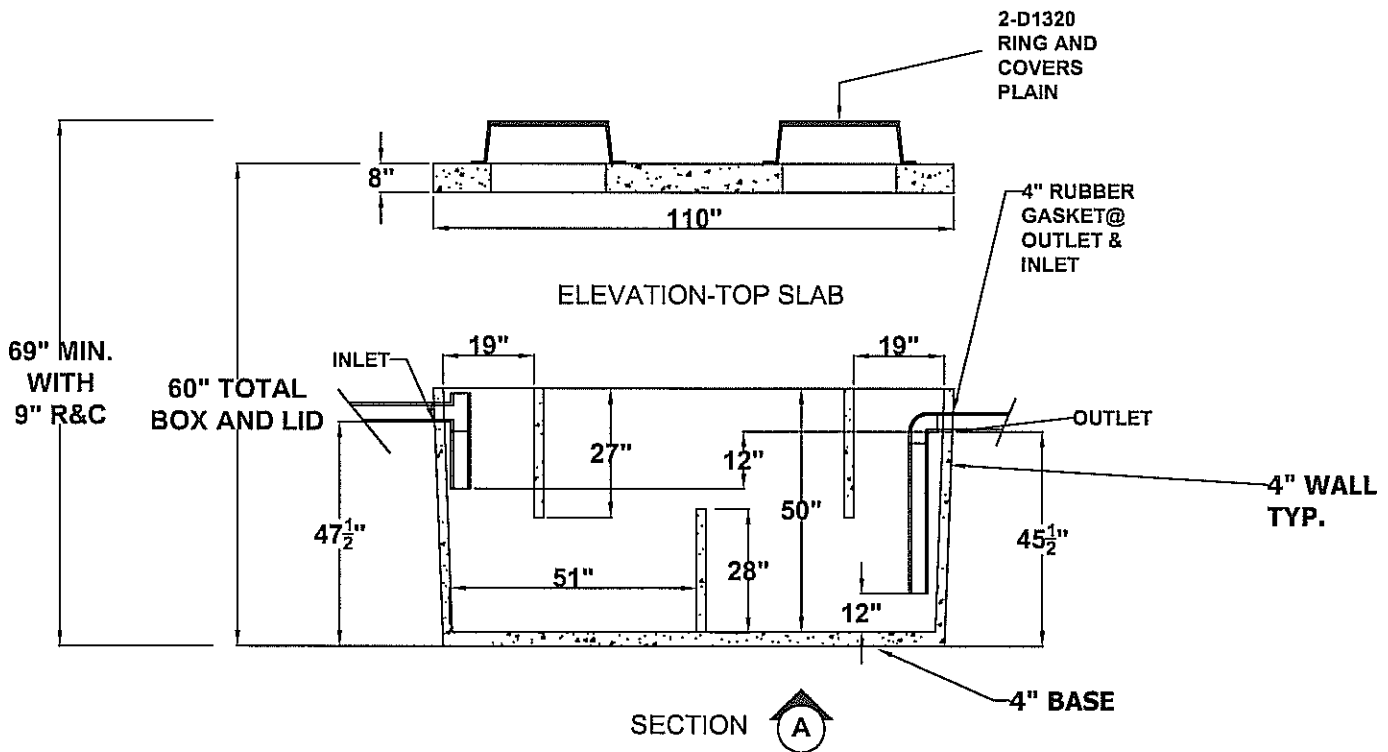
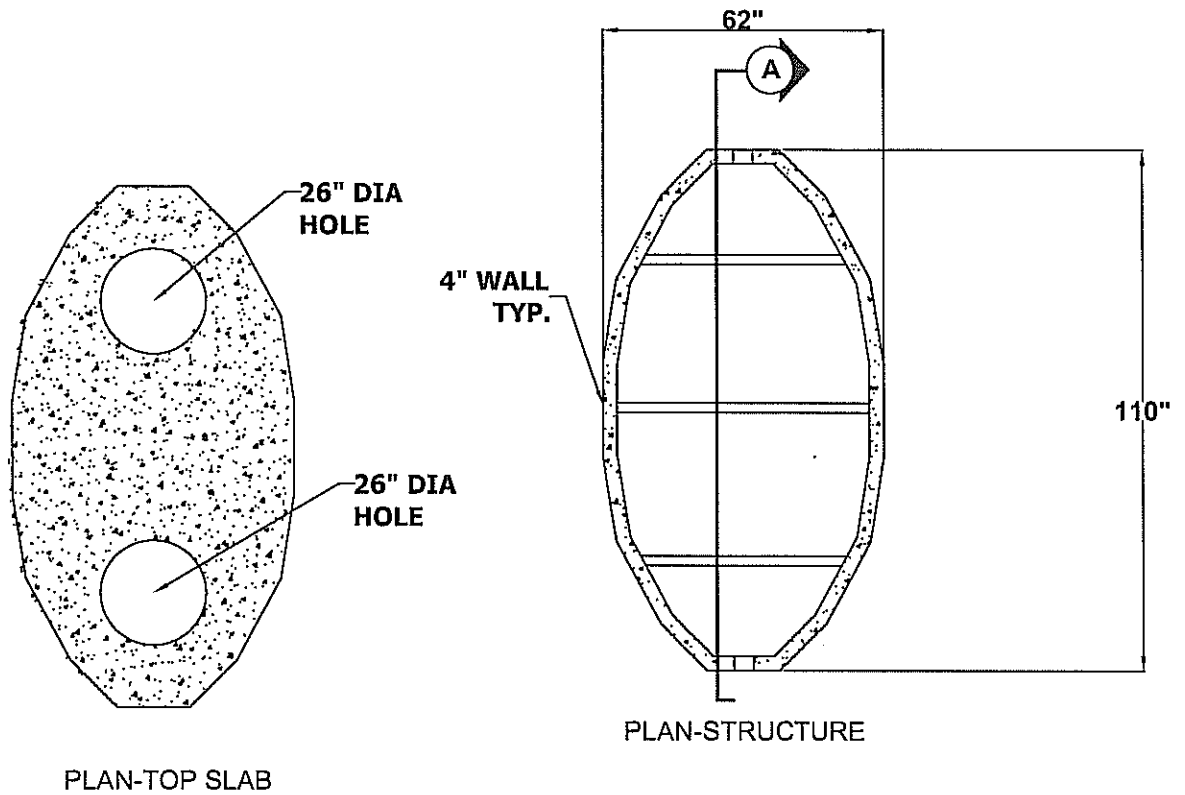


# 1000 GAL INTERCEPTOR



DIG HOLE SIZE

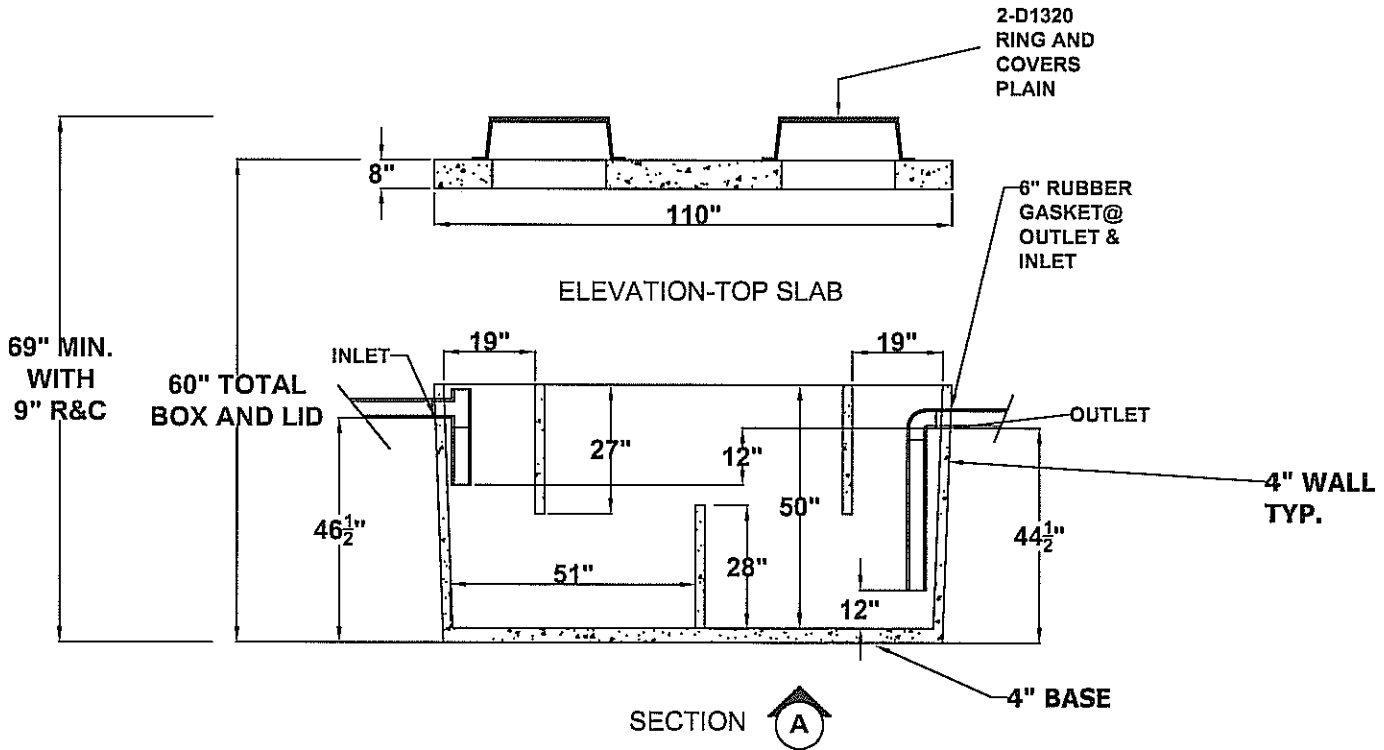
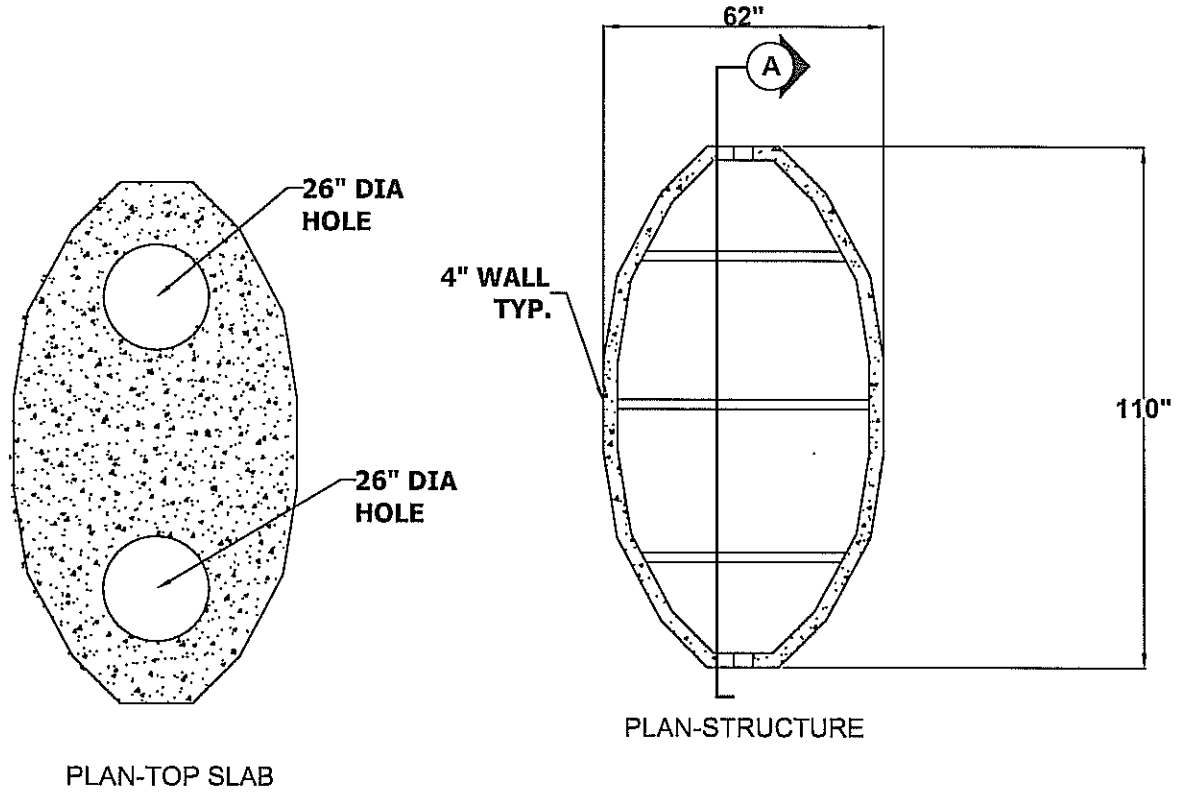
10' X 6'

REBAR PLACEMENT

#5 @ 12" C/C EA. WAY TOP SLAB  
 #3 BAR AROUND TOP  
 6X6X10X10 WIRE, BOTTOM AND SIDES  
 4000 PSI CONCRETE

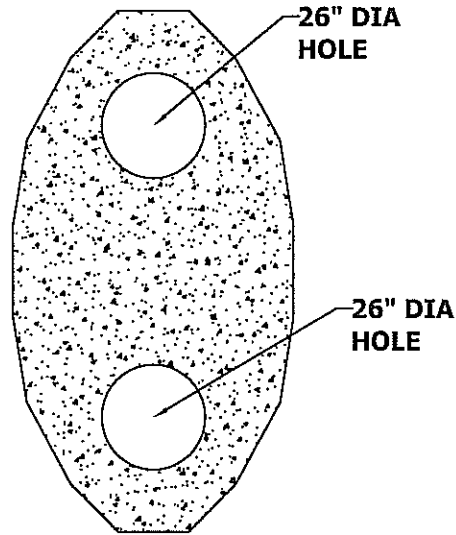
6" PIPE

1000 GAL INTERCEPTOR

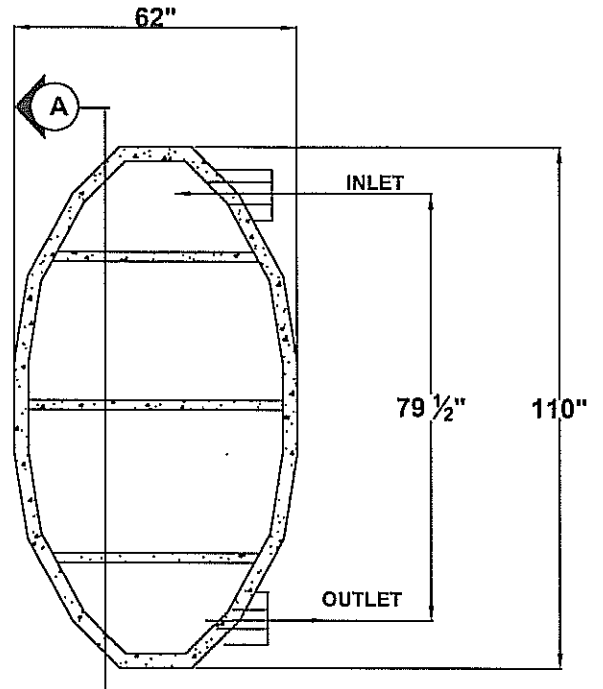


DIG HOLE SIZE  
10' X 6'

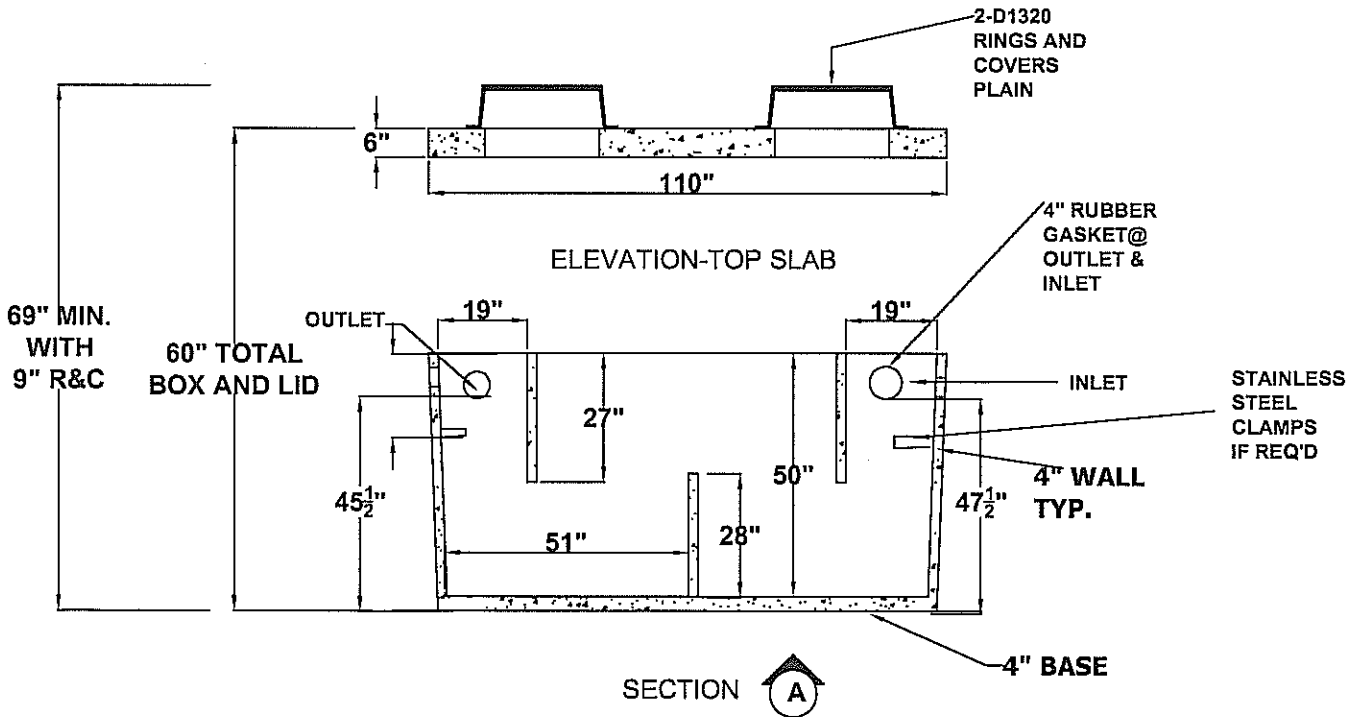
REBAR PLACEMENT  
#5 @ 12" C/C EA. WAY TOP SLAB  
#3 BAR AROUND TOP  
6X6X10X10 WIRE, BOTTOM AND SIDES  
4000 PSI CONCRETE



PLAN-TOP SLAB



PLAN-STRUCTURE

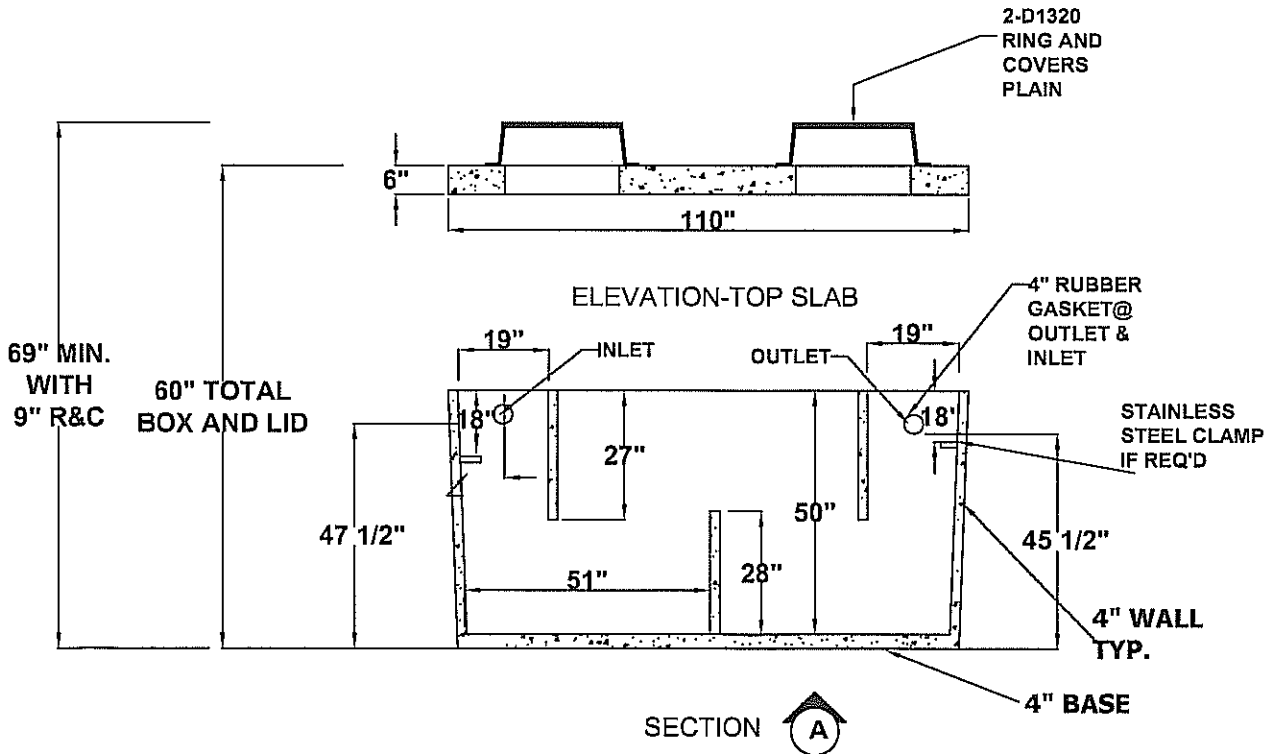
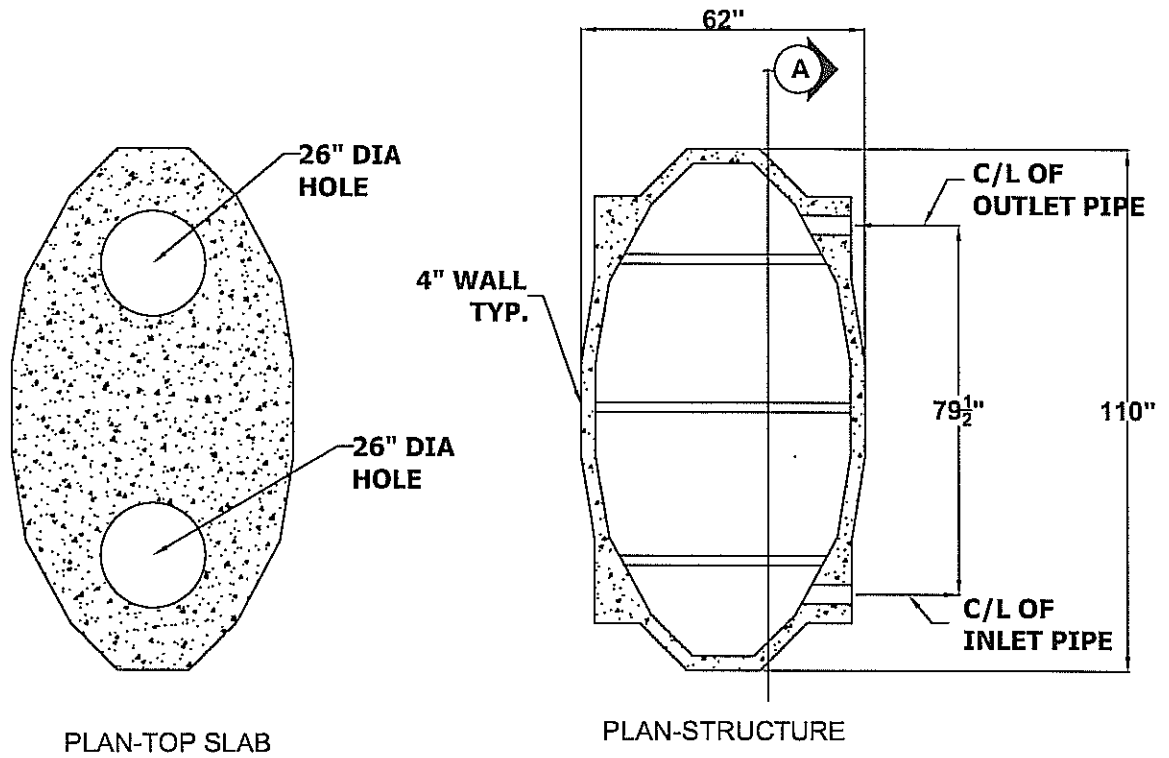


DIG HOLE SIZE

10' X 6'

REBAR PLACEMENT

#5 @ 12" C/C EA. WAY TOP SLAB  
 #3 BAR AROUND TOP  
 6X6X10X10 WIRE, BOTTOM AND SIDES  
 4000 PSI CONCRETE

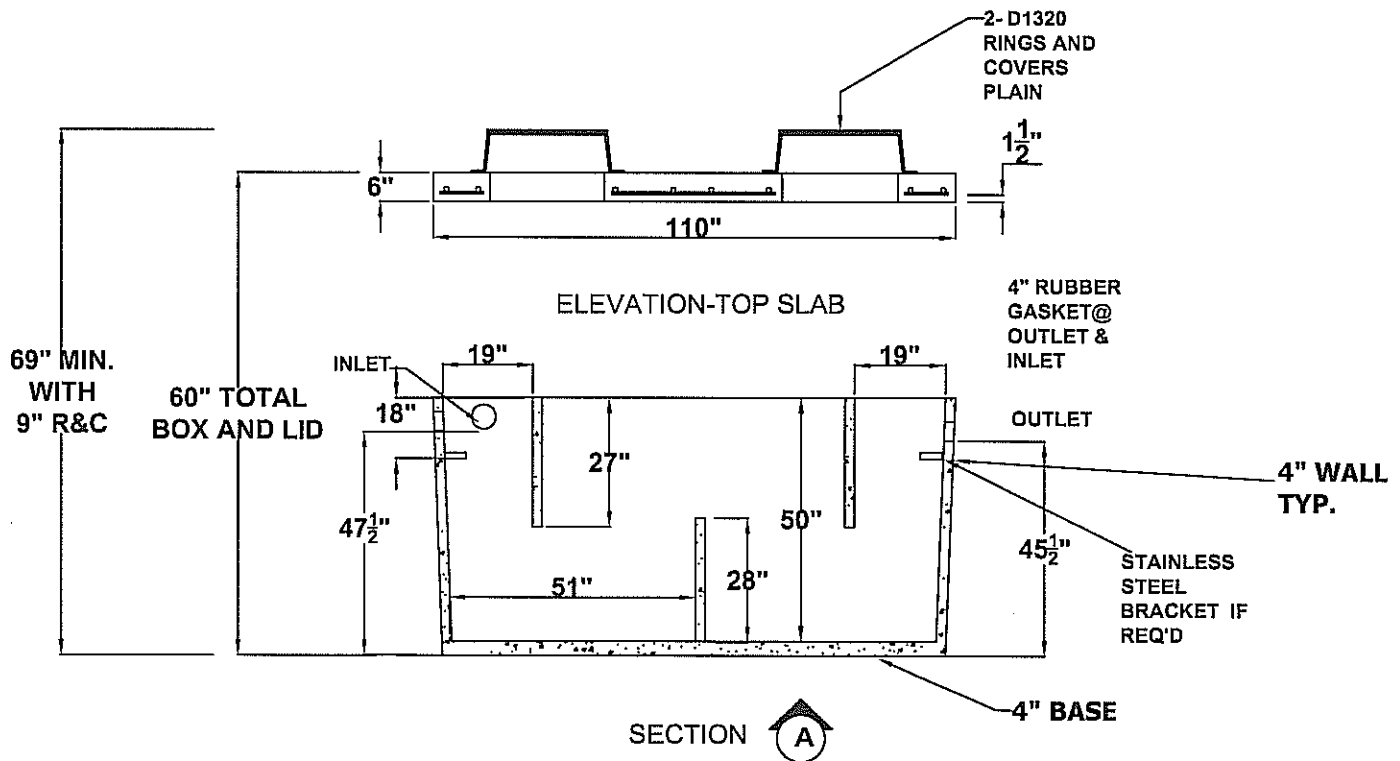
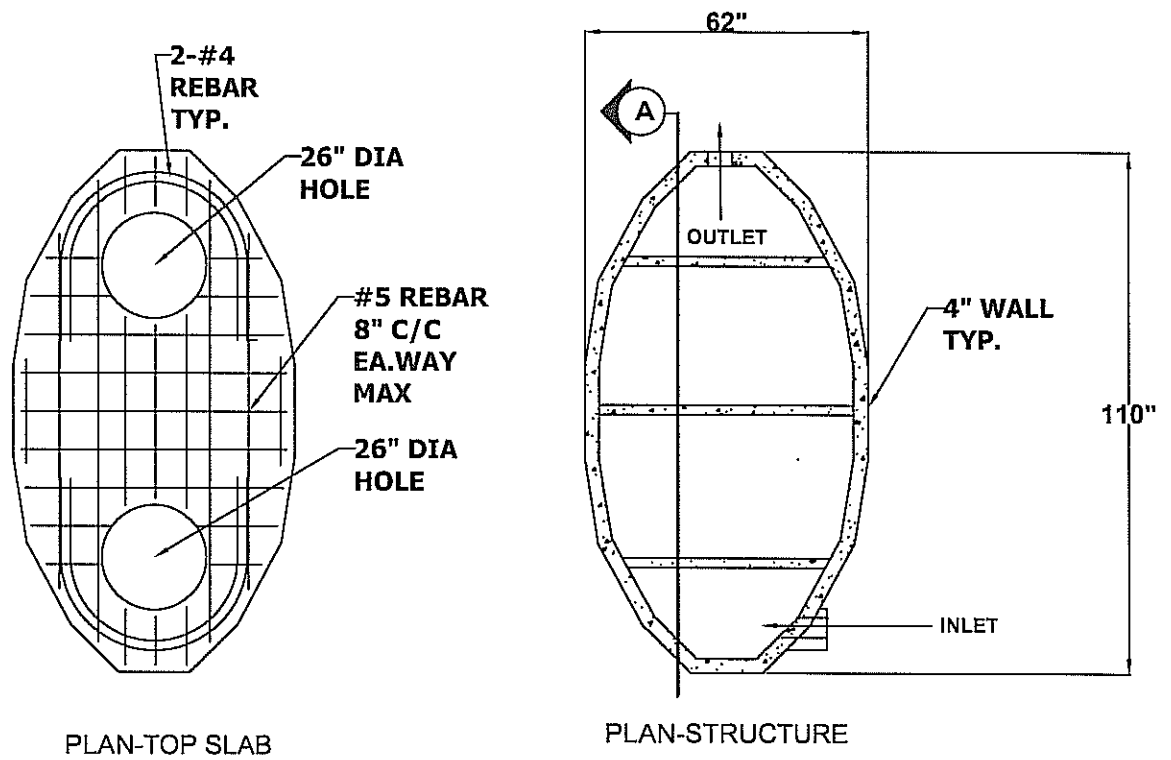


DIG HOLE SIZE

10' X 6'

REBAR PLACEMENT

#5 @ 12" C/C EA. WAY TOP SLAB  
 #3 BAR AROUND TOP  
 6X6X10X10 WIRE, BOTTOM AND SIDES  
 4000 PSI CONCRETE

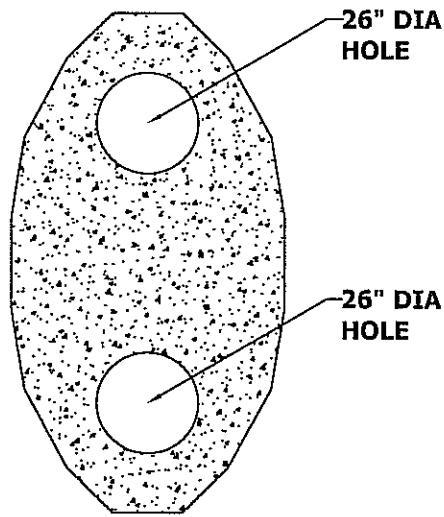


DIG HOLE SIZE

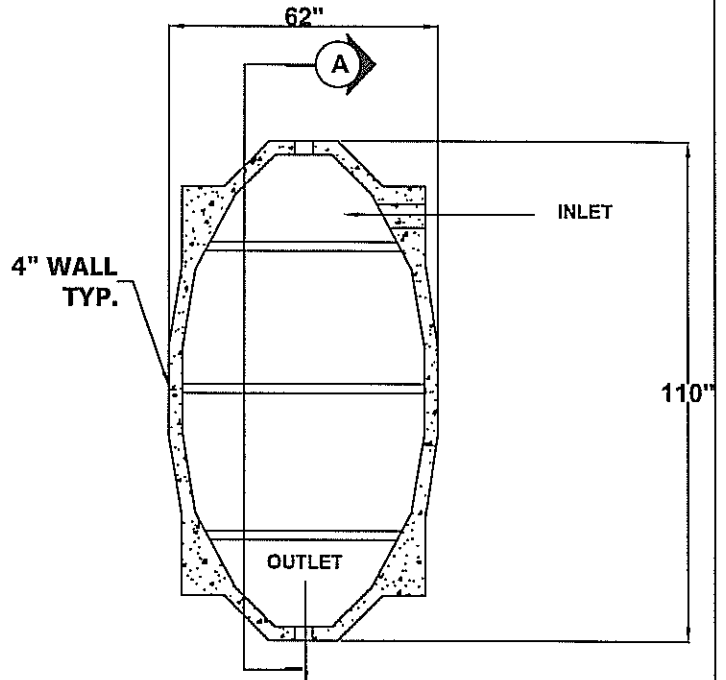
10' X 6'

REBAR PLACEMENT

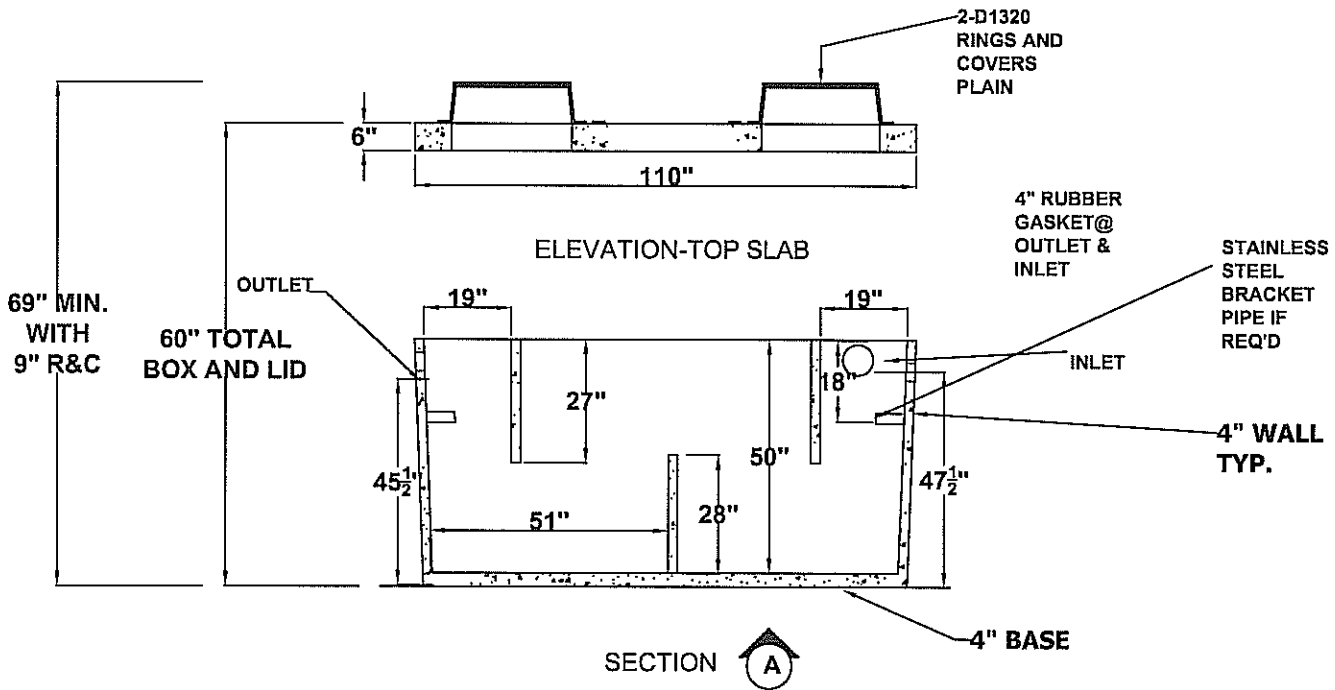
#5 @ 12" C/C EA. WAY TOP SLAB  
 #3 BAR AROUND TOP  
 6X6X10X10 WIRE, BOTTOM AND SIDES  
 4000 PSI CONCRETE



PLAN-TOP SLAB



PLAN-STRUCTURE



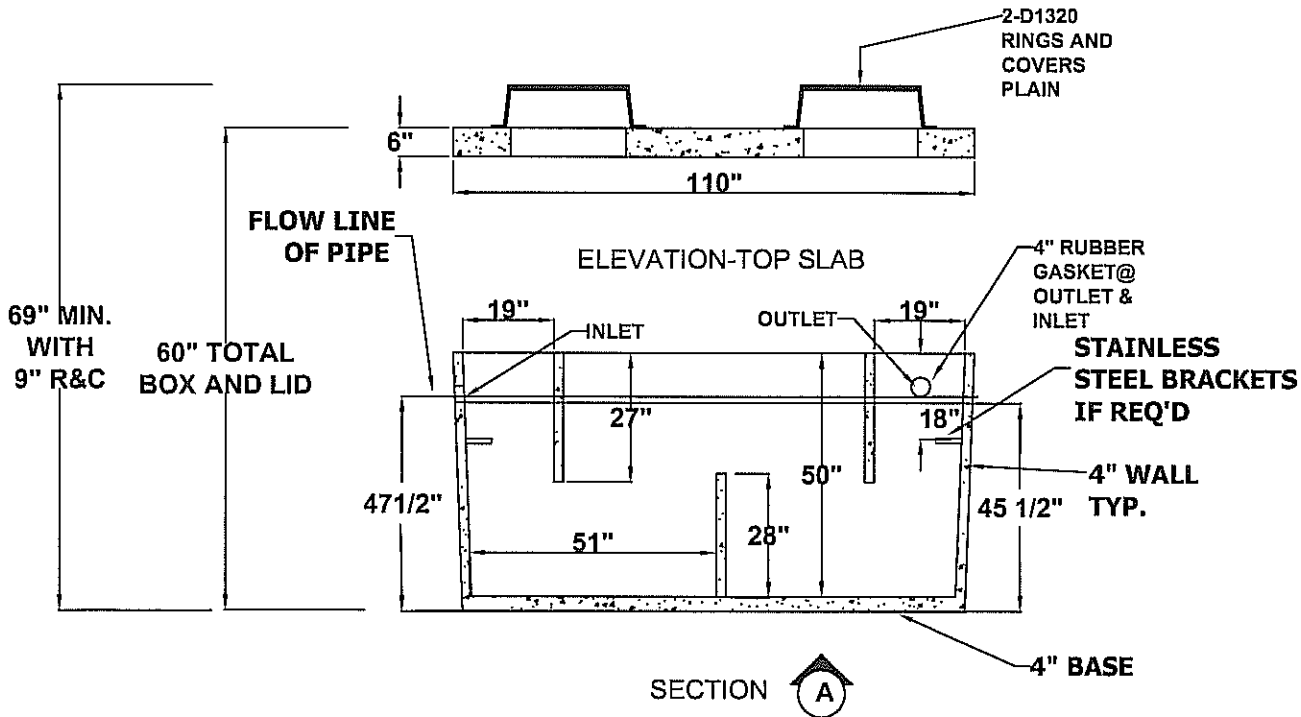
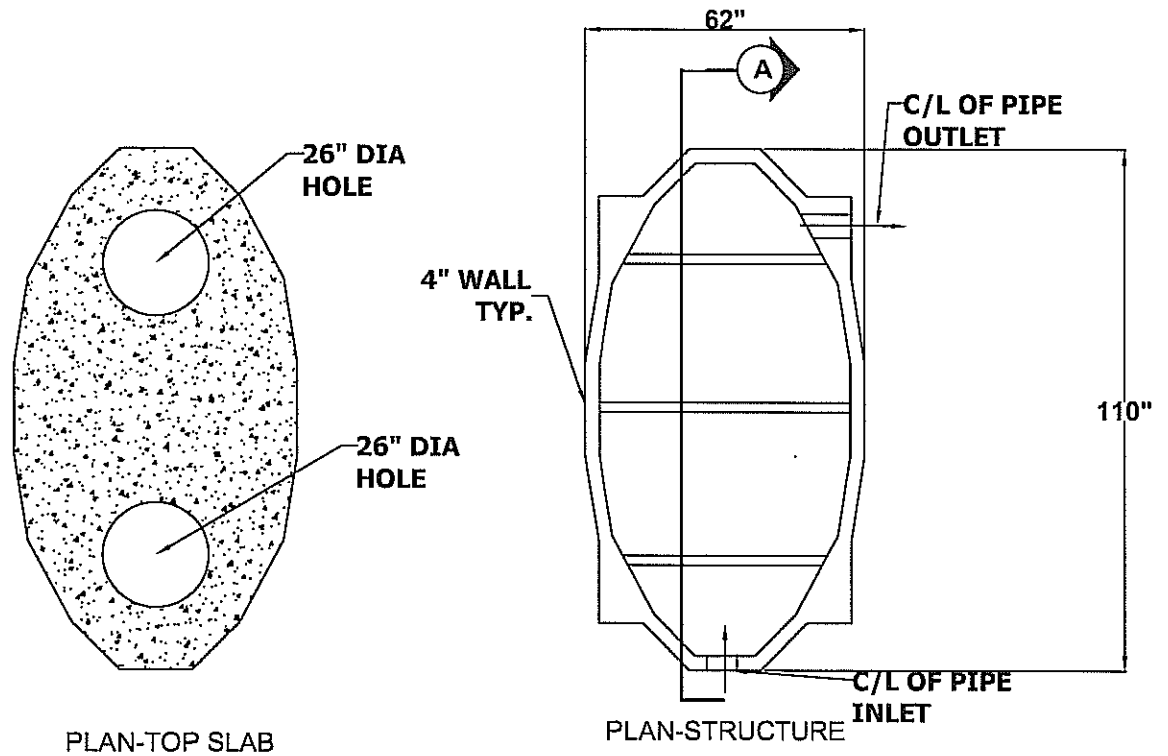
SECTION A

69" MIN.  
WITH  
9" R&C

60" TOTAL  
BOX AND LID

DIG HOLE SIZE  
10' X 6'

REBAR PLACEMENT  
#5 @ 12" C/C EA. WAY TOP SLAB  
#3 BAR AROUND TOP  
6X6X10X10 WIRE, BOTTOM AND SIDES  
4000 PSI CONCRETE

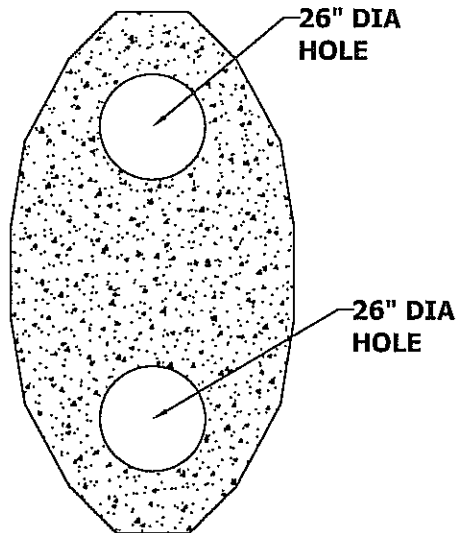


DIG HOLE SIZE

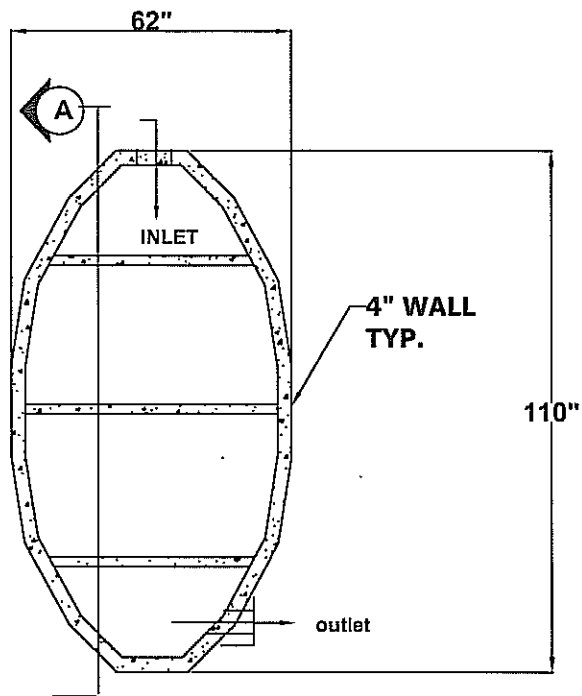
10' X 6'

REBAR PLACEMENT

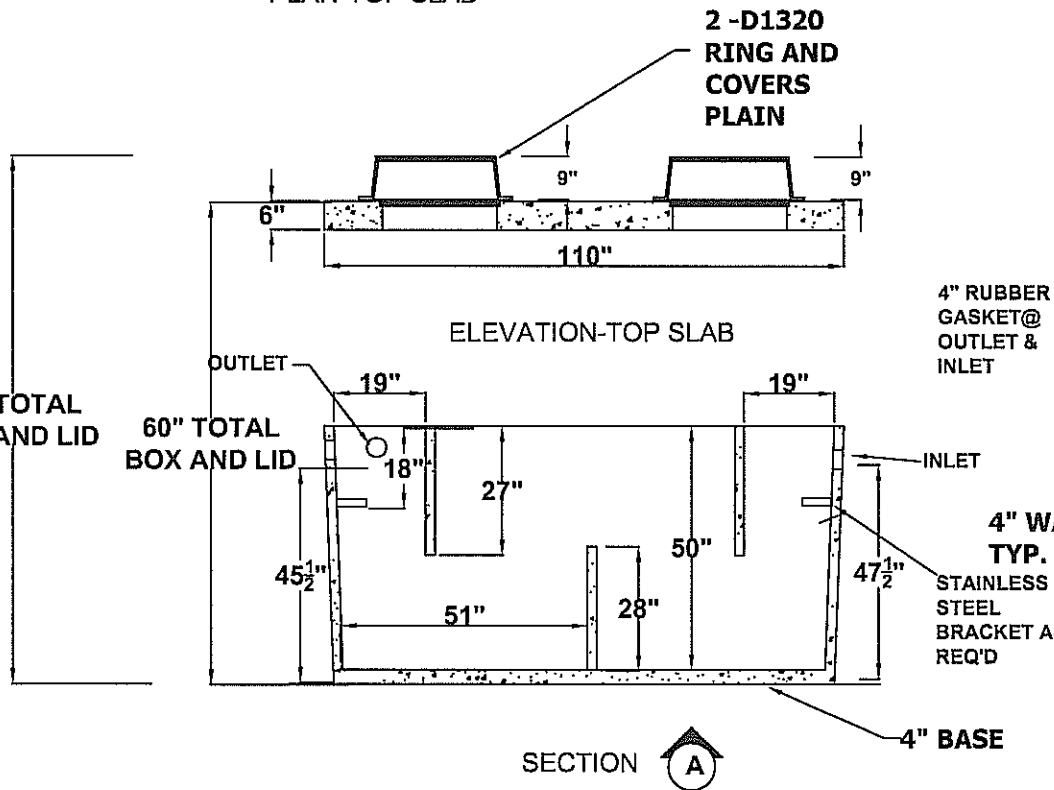
#5 @ 12" C/C EA. WAY TOP SLAB  
 #3 BAR AROUND TOP  
 6X6X10X10 WIRE, BOTTOM AND SIDES  
 4000 PSI CONCRETE



PLAN-TOP SLAB



PLAN-STRUCTURE



DIG HOLE SIZE

10' X 6'

REBAR PLACEMENT

#5 @ 12" C/C EA. WAY TOP SLAB  
 #3 BAR AROUND TOP  
 6X6X10X10 WIRE, BOTTOM AND SIDES  
 4000 PSI CONCRETE